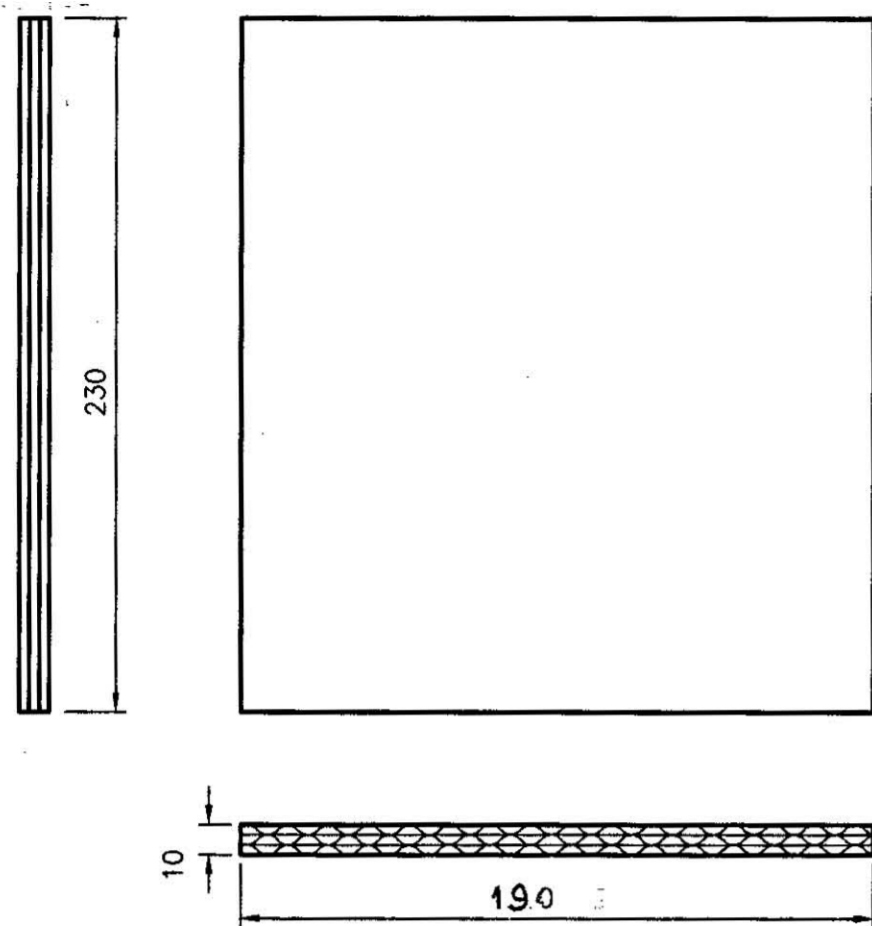
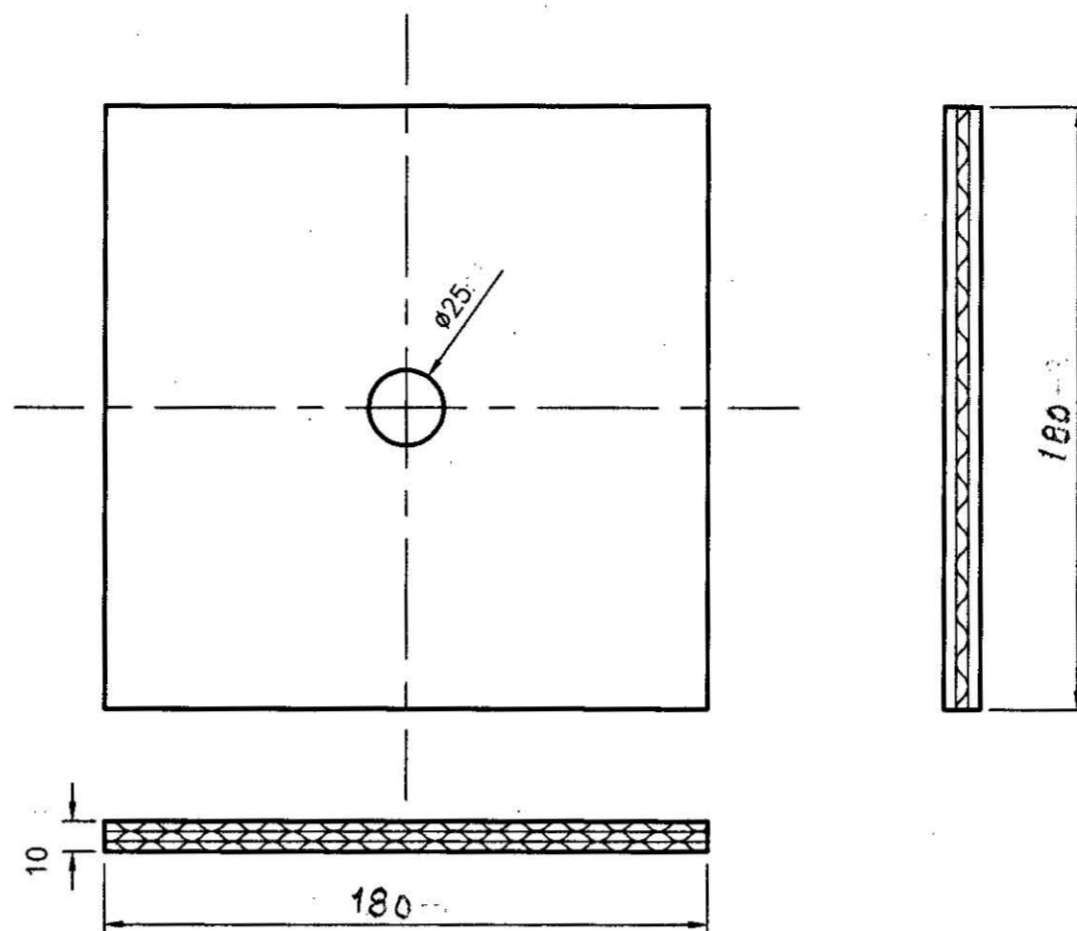


3



SIDE SHOCK ABSORBER

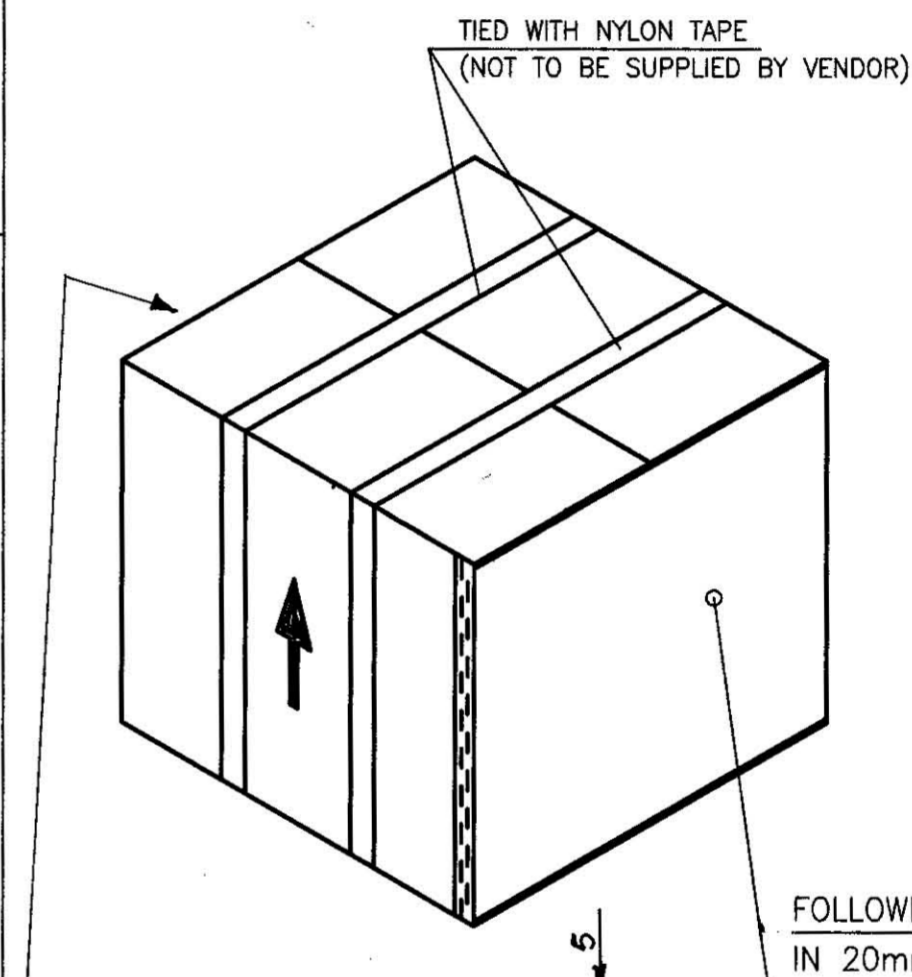
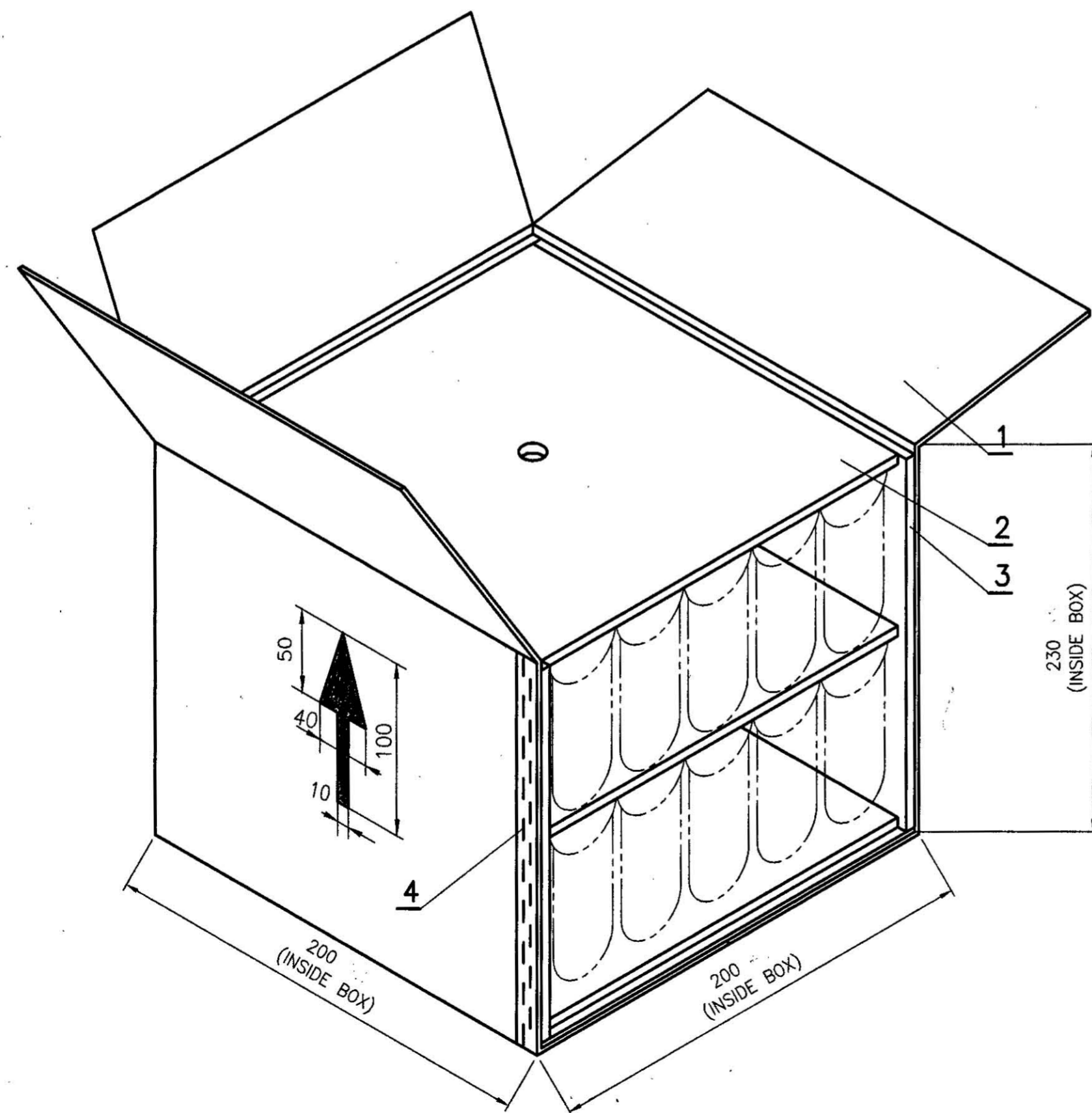
2



SHOCK ABSORBER (TOP, MIDDLE & BOTTOM)

NOTE :

1. PART NO. 1 : 150 GSM KRAFT PAPER, 5 PLYS, 2 WALL, VERTICAL, NARROW FLUTING 5mm THICK.
2. PART NO. 2 : 120 GSM KRAFT PAPER, 5 PLYS 4 WALL, NARROW FLUTING, 10mm THICK & CROSS FLUTED ie ALTERNATE FLUTES SHOULD RUN ACROSS AS SHOWN IN DETAIL.
3. PART NO. 3 : 120 GSM KRAFT PAPER, 5 PLYS 4 WALL, VERTICAL, NARROW FLUTING 10mm THICK.
4. PARTS TO BE MARKED WITH THE MANUFACTURERS NAME/INITIAL OR TRADE MARK.
5. GENERAL WORKMANSHIP AND FINISH SHALL BE GOOD THROUGH OUT.
6. ALL PARAMETERS ARE GOVERNED BY THE SPECN. IS : 2771-Pt-1 (LATEST ISSUE). & SUBJECTED TO PROPER FITMENT OF ALL THE PARTS.
7. EACH BOX IS TO HOLD COMPONENTS OF MASS 20kg.
8. EACH BOX IS TO HOLD 250 COMPONENTS IN 50 CONTAINERS IN DOUBLE ROWS AS SHOWN IN THIS DRG. REFER CONTAINER DRG. NO FS-2423 (LATEST ISSUE).



FROM	TO	प्रेषित,	सेवा में
THE Sr. G.M	THE G.M	वरिष्ठ महाप्रबंधक	महाप्रबंधक
ORD. FY. AMBAJHARI	ORD. FY.	ऑ. फे. अम्बाजरी	ऑ. फे.
COMPT. BODY(GUV-7)	QTY.250 LOT NO..	काम्योनेट: बीडी (जी.यु.वी?)	मात्रा: 250 लॉट नं.---

REV.	DATE	NOMENCLATURE	SIGN.
G	01.06.15	In Nomenclature Packing Carton was Packing Box Drg. adv. to 'G'	HOS/CDB
F	07.08.09	Design updated.	sd/ NM/FS
E	16.03.05	3rd Part No. 3 Dim. 150 was 210. 5th Part No. 2 Dim. 100 was 200.	sd/ NM/FS
D	17.05.04	Printing Matter in Erg. Added. DRG. No. Adv. TO 'D'	sd/ NM/FS
C	02-03-04	DESIGN. CHANGED TO HOLD 250 COMPTS IN PLACE OF 300 COMPTS.	sd/ NM/FS
B	04-06-03	IN NOTE PART NO.1 2 WALL WAS 3 WALL DRG. NO. ADVANCED TO 'B'	sd/ JWM/CDD
A	12-03-03	DESIGN. CHANGED AS PLASTIC CONTAINER TO BE USED FOR PACKING.	sd/ JWM/FS

PART	DESCRIPTION	NO. OFF	BURSTING STRENGTH	REMARKS
4	STAPLES, MS GALVANISED 12 x 3 x 0.8 THICK	AS REQD.		
3	SIDE SHOCK ABSORBER	4		
2	SHOCK ABSORBER (TOP MIDDLE & BOTTOM)	3		
1	BOX	1	MINIMUM 9kg/cm ²	

DIMENSIONS ARE IN mm			MATERIAL: AS ABOVE	
THIRD ANGLE PROJECTION			NOMENCLATURE:	
SCALE : 1 : 2.5			CORRUGATED FIBREBOARD PACKING CARTON (FOR 250 COMPT)	
2003	NAME	DATE	ORDNANCE FACTORY AMBAJHARI	
DRAWN	SUBHASH	11-03-03		
RE-DRAWN	sd/ NM/FS	01-03-04		
CHECKED	sd/ NM/FS	02-03-04		
JWM/CDD	sd/ NM/FS	02-03-04	DRG. NO: FS-2385 'G'	
JWM/FS	-SD-	12-03-03	SHEET NO: 1	
STORE: FZ GUV7 FOR 125mm AMMN			NO. OF SHEETS: 1	
			OPERATION NO: COMPT: BODY	