

ITEM NO	NOMENCLATURE	DRG.NO.	QTY.	MATERIAL	SHEET SIZE
	ADOPTER ASSY	OLF/R&D/RDS/001.04.01	2		
	COMPONENTS				
1	ADOPTER	OLF/R&D/RDS/001.04.01.01	2	ST. STEEL IS 6603:01 X 20 Cr 13	A4
2	O RING (RUBBER)	OLF/R&D/RDS/001.04.01.02	2	SYNTHETIC RUBBER NITRILE BLACK BA-3 RHD 51-60 TO BS: 2751-56	A4

270918

ऑप्टर हेतु
FOR TRADE ONLY

		COMPT. No.		ASSY. DRG.		OPTO ELECTRONICS FACTORY DEHRADUN	
		2007		RED DOT SIGHT		TITLE	
		GEN. TOL. IS 2102-m (Pt.-1)		16-4		ADOPTER ASSY.	
		DRAWN		16-4		REF.	
		CHECKED		16-4		M	
		HOS		16-4		DRG.No. OLF/R&D/RDS/001.04.01	
		NAME		DATE		SCALE: —	
D.A.No.		DT./SIGN		M/Yr.		SHTS. 04	
DESCRIPTION		APPROVED		4/07		SHT. No. 01	
AMENDMENTS							

MATERIAL: -

TREATMENT -

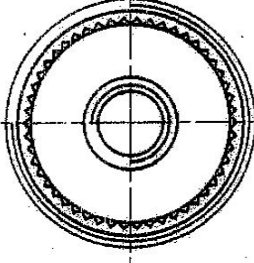
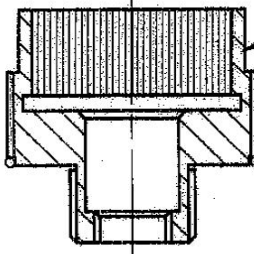
SURFACE FINISH:

PROTECTIVE FINISH -

FOR TRADE ONLY

ऑप्टिक डैंग

270918



QPS : 02 No.

ITEM	DESCRIPTION	No. OFF	MATERIAL	REMARKS
LIST OF PARTS				
COMPT. No.	ASSY. DRG.	OPTO ELECTRONICS FACTORY DEHRADUN		
2007	RED DOT SIGHT	TITLE ADOPTER ASSY.		
DRAWN	GEN. TOL. AS 2102-m (Pt. -1) Ags	16-4	REF. M	
CHECKED	16.4.	16.4.	DRG.No. OLF/R&D/RDS/001.04.01	
HOS	NAME	DATE	SCALE: 2:1	
AWM/ R&D	NAME	M/Yr.	SHTS. 04 SHT. No. 02	
	APPROVED	9/07	REF. M	

D.A.No. DT./SIGN DESCRIPTION

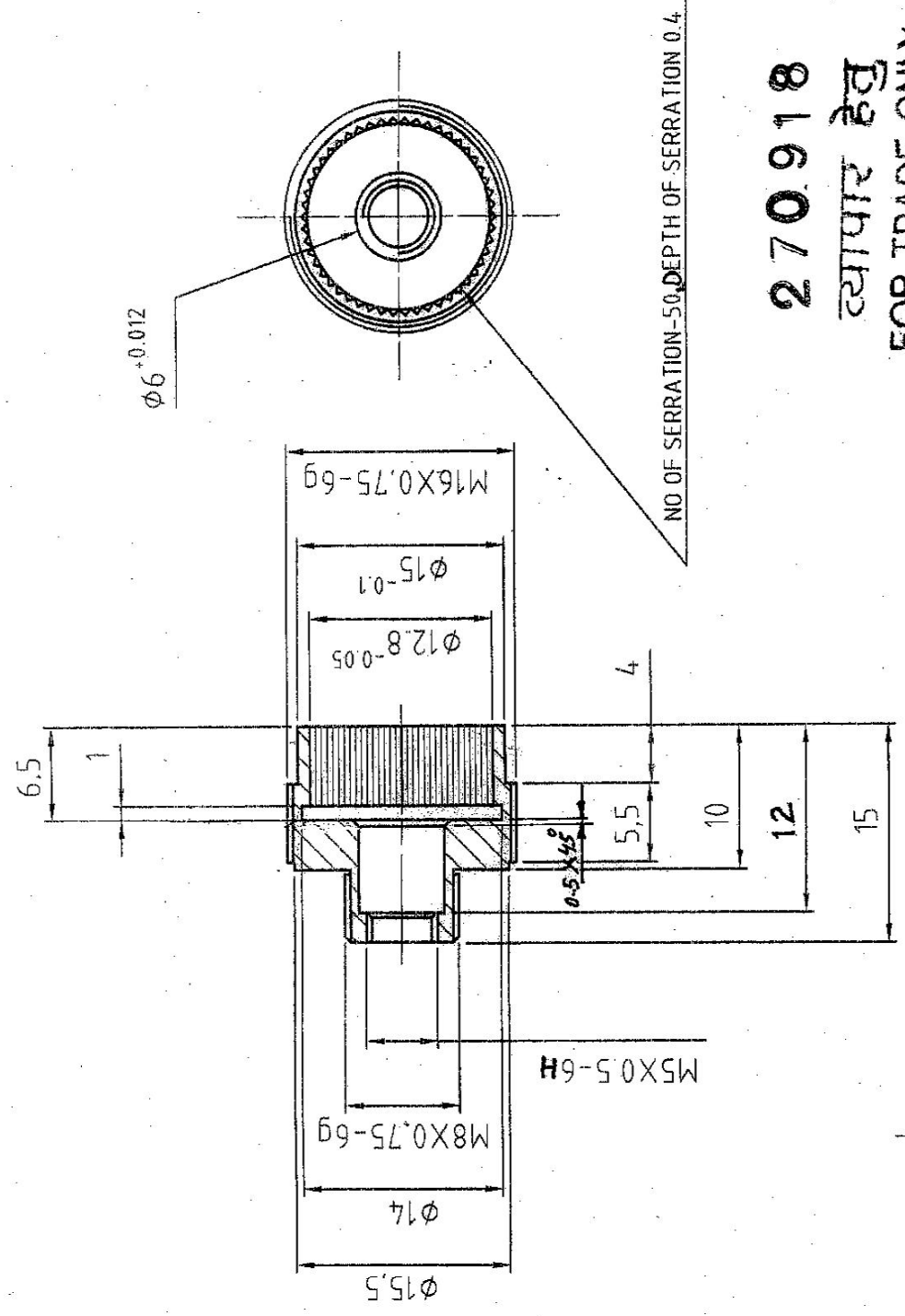
AMENDMENTS

MATERIAL: ST. STEEL IS 6603:01 X-20 Cr 13

TREATMENT -

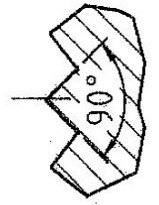
SURFACE FINISH: -

PROTECTIVE FINISH



270918
 आभार है
 FOR TRADE ONLY

QTY.-02



ITEM	DESCRIPTION	No. OFF	MATERIAL	REMARKS
LIST OF PARTS				
COMPT. No.		ASSY. DRG.		
2007		RED DOT SIGHT		
DRAWN		GEN. TOL. IS 2102-m (Pt.-1)		
CHECKED		16/4		
HOS.		16.4.		
AWM/ R&D		16.4.		
D.A.No.		DATE		
DT./SIGN		M/Yr.		
DESCRIPTION		4/07		
APPROVED				
AMENDMENTS		TITLE		
		OPTO ELECTRONICS FACTORY		
		DEHRADUN		
		ADOPTER		
		REF.		
		M		
		DRG.No. OLF/R&D/RDS/001.04.01.01		
		SCALE: 2:1		
		SHTS. 04		
		SHT. No. 03		

ITEM NO	NOMENCLATURE	DRG NO.	QTY.	MATERIAL	SHEET SIZE
	BODY ASSY	OLF/R&D/RDS/001.01			A3
	COMPONENTS				
1	BODY	OLF/R&D/RDS/001.01.01	1	AL ALLOY IS 733 :83, GR.24345	A3
2	HOLDER	OLF/R&D/RDS/001.01.02	1	AL ALLOY IS 733 :83, GR.24345	A3
3	THREADED RING (TEFLON)	OLF/R&D/RDS/001.01.03	1	TEFLON	A4
4	COMPRESSION SPRING (CONED END)	OLF/R&D/RDS/001.01.04	1	X07CF18N19 IS 4454(P14):2001	A4
5	THREADED RING	OLF/R&D/RDS/001.01.05	1	AL ALLOY IS 733 :83, GR.24345	A4
6	SPRING (STRIP)	OLF/R&D/RDS/001.01.06	1	SHEET ST. STEEL IS 6603:01 Gr. X20 Cr 13	A4
7	SCREW	OLF/R&D/RDS/001.01.07	1	BRASS IS 319 :89 TYPE-1	A4
8	WINDOW HOLDER	OLF/R&D/RDS/001.01.08	1	AL ALLOY IS 733 :83, GR.24345	A4
9	O'RING	OLF/R&D/RDS/001.01.09	1	SYNTHETIC RUBBER NITRILE BLACK BA-3 RHD 51-60 - 70 BS 2751-56	A4
10	WINDOW	OLF/R&D/RDS/001.01.10	1	GLASS BK-7 GOST 3514 :76	A4
11	LENS-I	OLF/R&D/RDS/001.01.11	1	GLASS SF-4	A4
12	LENS-II	OLF/R&D/RDS/001.01.12	1	GLASS BK-7	A4
13	O'RING	OLF/R&D/RDS/001.01.13	1	SYNTHETIC RUBBER NITRILE BLACK BA-3 RHD 51-60 - 70 BS 2751-56	A4
14	GRUB SCREW (CONICAL) M3 X3	STD	1	IS:2388-T8, 6.6 ZINC PLATED	-
15	CAP	OLF/R&D/RDS/001.01.014	1	AL ALLOY IS: 7333-83	A4
16	O'RING	OLF/R&D/RDS/001.01.016	1	SYNTHETIC RUBBER NITRILE BLACK BA3	A4

270918

व्यापार संज्ञा
FOR TRADE ONLY

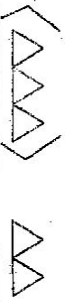
COMPT. No.		ASSY. DRG.	OPTO ELECTRONICS FACTORY DEHRADUN	
2007	GEN. TOL. IS 2102-m (PT.-1)	RED DOT SIGHT	TITLE	
DRAWN	AK	16/4	BODY ASSY.	
CHECKED	पुष्प	16-4	REF.	
HOS	पुष्प	16-4	M	
NAME	DATE	DRG.No.OLF/R&D/RDS/001.01		
AWM/ R&D	M/YT.	SCALE: 1:1		
APPROVED	4/07	SHTS. 16 SHT. No. 01		



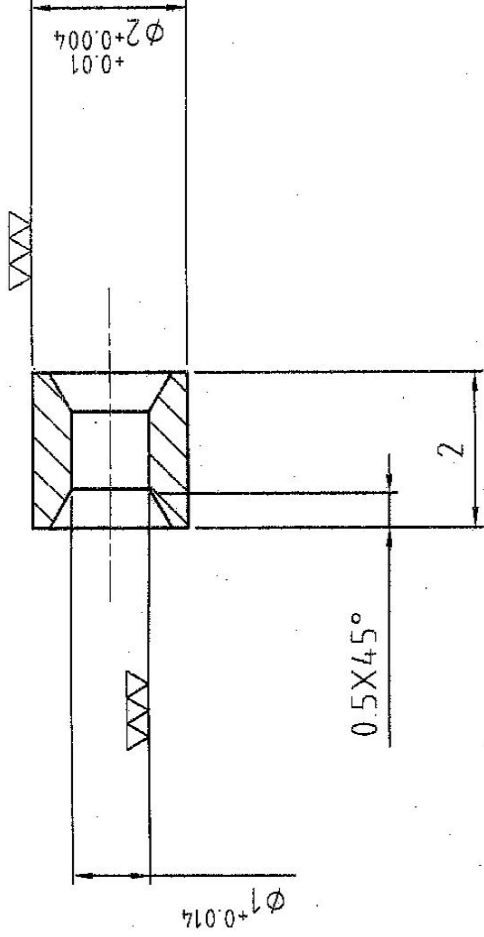
MATERIAL: - X 20 Cr 13, IS 6603:2001

TREATMENT -

SURFACE FINISH:



PROTECTIVE FINISH :-



270918

ऑप्टिक हेतु
FOR TRADE ONLY

No.OFF-02

OLD NO.036007

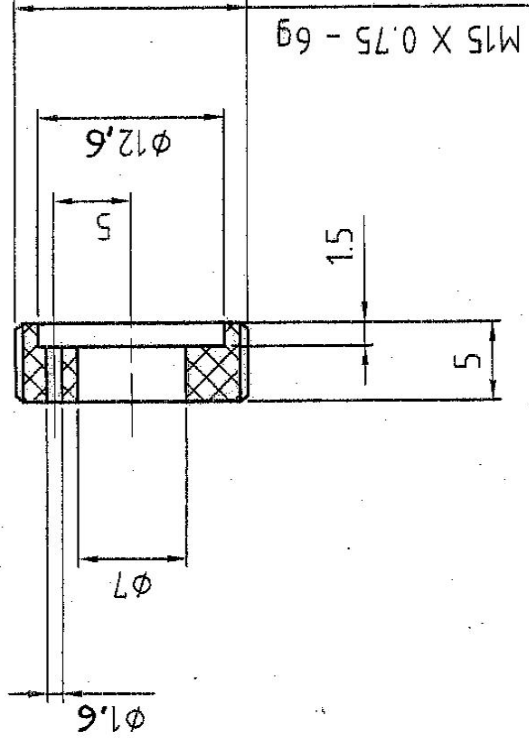
ITEM	DESCRIPTION	No. OFF	MATERIAL	REMARKS
LIST OF PARTS				
COMPT. No.	ASSY. DRG.	OPTO ELECTRONICS FACTORY DEHRADUN		
2007	RED DOT SIGHT	TITLE		
DRAWN	GEN. TOL. IS 2102-m (Pt.-1) ACB	16/4	BUSH	
CHECKED	QJ sb m2	16.4.	REF.	
HOS	QJ sb m2	16.4.	MI	
AWM/ R&D	NAME	DATE	DRG.No. OLF/R&D/RDS/001.04.02.05	
	APPROVED	M/Yr.	SCALE: 10:1	
		4/07	SHTS. -07 SHT. No. -07	

D.A.No. DT./SIGN DESCRIPTION

AMENDMENTS



MATERIAL: --	ACRYLIC/TEFLON	TREATMENT: --
SURFACE FINISH: ∇∇		PROTECTIVE FINISH: --



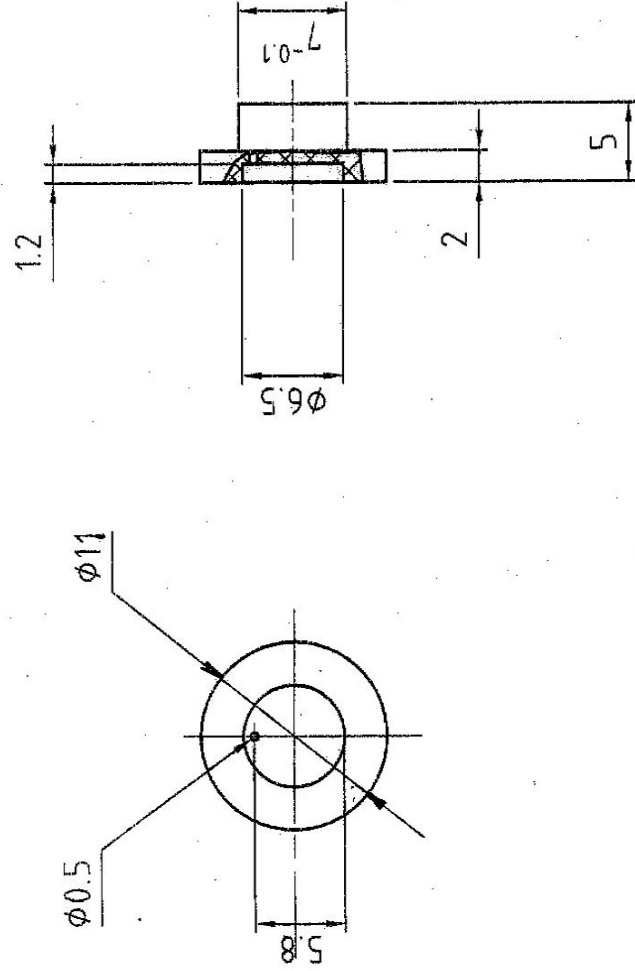
270918
 चिह्न हेतु
 FOR TRADE ONLY

(i) ALTERNATE MATERIAL:- FLURO PLASTIC IS; HIFLON-71

QTY-1

ITEM	DESCRIPTION	No. OFF	MATERIAL	REMARKS
LIST OF PARTS				
COMPT. No.	ASSY. DRG.	TITLE		
2007	RED DOT SIGHT	OPTO ELECTRONICS FACTORY DEHRADUN		
DRAWN	GEN. TOL. IS 2102-m (PT.-I) Rg	16/4	BUSH	
CHECKED	G. K. S.	16-4	REF. M12	
HOS.	G. K. S.	16-4	DRG.No. OLF/R&D/RDS/001.05.04	
AWM/ R&D	NAME	DATE	.SCALE: 2:1	
	R. S.	M/Yr. 4/07	SHTS. 1B SHT. No. 07	
APPROVED				
AMENDMENTS				
D.A.No.	DT./SIGN	DESCRIPTION		
DO/DA/35/15	JG Gm/15 24/7/15	ALTT. MATERIA ADDED		

MATERIAL -	ACRYLIC FOLY/TEFLON	TREATMENT -	---
SURFACE FINISH:	VV	PROTECTIVE FINISH -	---



270918
 बसुआ हट्ट
 FOR TRADE ONLY

(1) ALTERNATE MATERIAL:- FLURO PLASTIC IS/HIFLON-71 QTY-1

OLD NO.037004

ITEM	DESCRIPTION	No. OFF	MATERIAL	REMARKS
LIST OF PARTS				
COMPT. No.	ASSY. DRG.	TITLE		
2007	RED DOT SIGHT	OPTO ELECTRONICS FACTORY DEHRADUN		
DRAWN	GEN. TOL. IS 2102-m R/S	BUSH		
CHECKED	16/4	REF.		
HOS	16.4	M32		
	16.4	DRG.No. OLF/R&D/RDS/001.05.05		
AWM/ R&D	NAME	DATE	M/YC.	SCALE: 2:1
	R/S	16/4	4/07	SHTS. 16
APPROVED				SHT. No. 08
AMENDMENTS				
D.O/DA/95/15	DT./SIGN	DESCRIPTION		
		ALTI. MATERIAL ADDD		

(1)

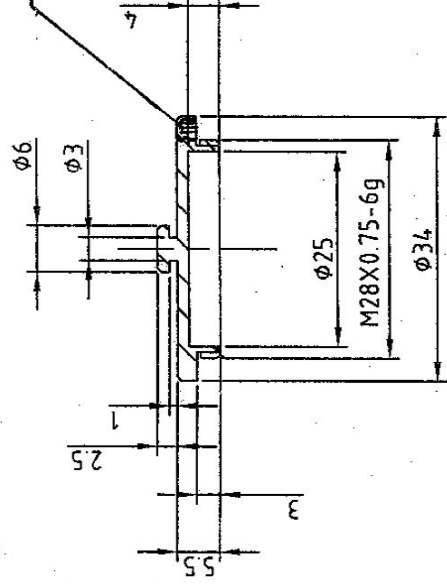
MATERIAL: AL ALLOY IS:733-83 Gr. 24345(WP)

TREATMENT
HARDNESS:

SURFACE FINISH: 

PROTECTIVE FINISH: ANODIC OXIDATION BLACK




STRAIGHT KNURLING.



270918

ऑप्टो इलेक्ट्रॉनिक्स
FOR TRADE ONLY

QTY: 01

ITEM	DESCRIPTION	No. OFF	MATERIAL	REMARKS
LIST OF PARTS				
COMPT. No.		TITLE		
2012		OPTO ELECTRONICS FACTORY DEHRADUN		
ASSY. DRG.		CAP		
RED DOT SIGHT		REF.		
GEN. TOL. IS 2102 (Pt-1):1993-m		M		
DRAWN		6/12		
CHECKED		5/6/12		
JWM	NAME	DATE		
WM/		M/Y.		
DC	APPROVED	5/6/12		
D.A.No.	DT./SIGN	DESCRIPTION	SCALE: 1:1	SHT. No. 15
AMENDMENTS			SHTS. 16	Sh. No. 15

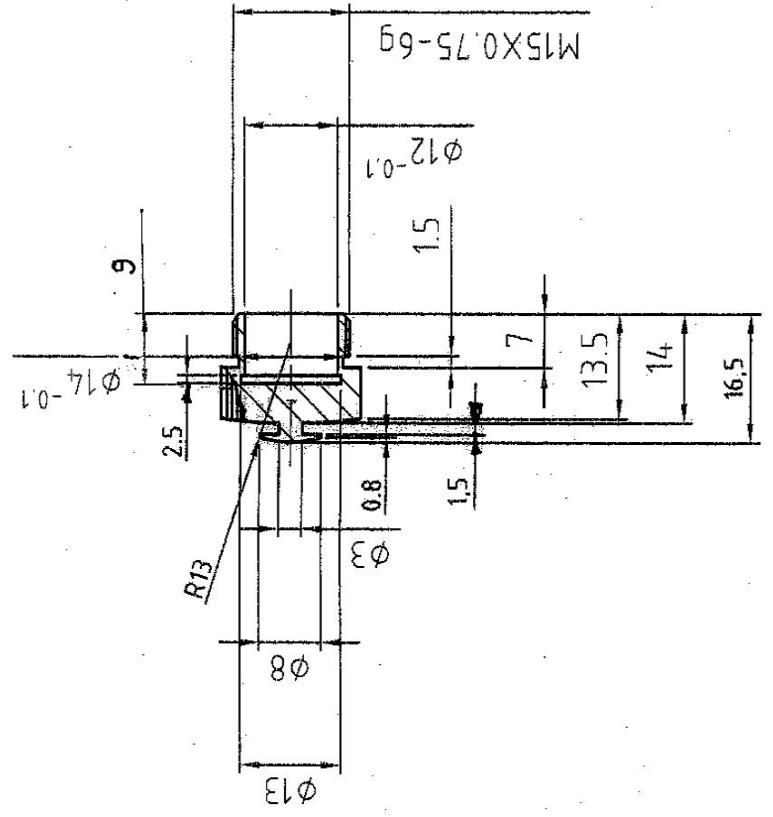
DRG.No. OLF/R&D/RDS/001,01,014

MATERIAL - AL ALLOY IS 733 : 83 GR 24345 (WP)

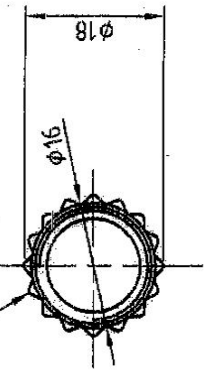
TREATMENT -

SURFACE FINISH: ∇∇

PROTECTIVE FINISH :- ANODIC OXIDATION BLACK



STRAIGHT KNURLING
1 PITCH



270978
 270978
 FOR TRADE ONLY

NOTE:- SHOULD BE BLACK POWDER COATING ON
 OUTER SURFACE EXCEPT HOLE & THREAD

NO.OFF-01

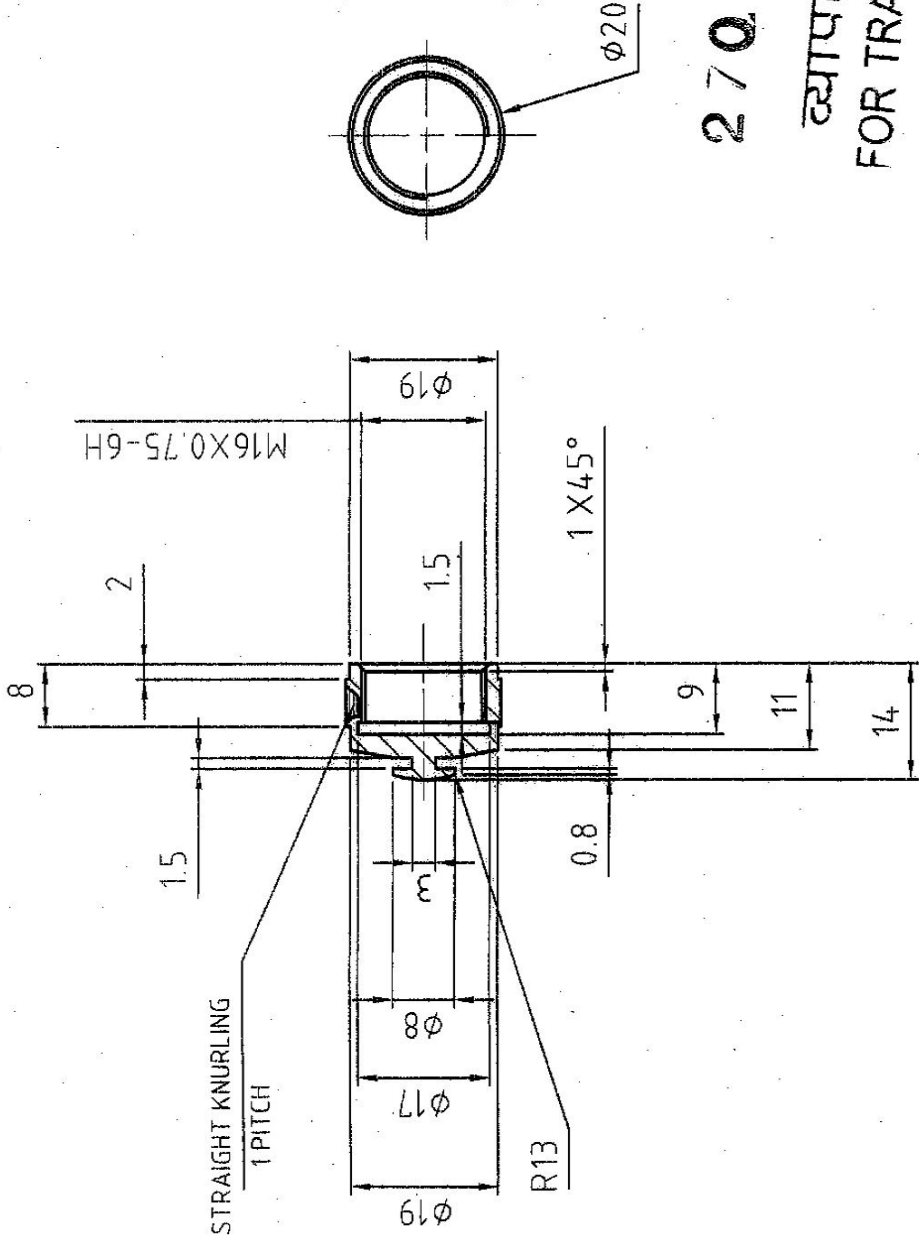
ITEM	DESCRIPTION	No. OFF	MATERIAL	REMARKS
LIST OF PARTS				
COMPT. No.	ASSY. DRG.	OPTO ELECTRONICS FACTORY		
	RED DOT SIGHT	DEHRADUN		
2007	GEN. TOL. IS 2102-m (Pt.-1)	TITLE		
DRAWN	AKH	16/4	CAP	
CHECKED	CPD-DM	16.4	REF.	
HOS	CPD-DM	16.4	M	
	NAME	DATE	DRG.No. OLF/R&D/RDS/001.04.05	
AWM/R&D	AKH	M/YC.	SCALE: 2:1	SHT. No. 04
		4/07	SHTS: 08	
APPROVED				
AMENDMENTS				
D.A.No.	DT./SIGN	DESCRIPTION		

MATERIAL: - AL ALLOY IS 733 : 83 GR. 24.345(WP)

TREATMENT -

SURFACE FINISH: ▽

PROTECTIVE FINISH :- ANODIC OXIDATION BLACK



270918

व्यक्ति हेतु
FOR TRADE ONLY

NOTE:- SHOULD BE BLACK POWDER COATING
ON OUTER SURFACE EXCEPT HOLE
AND THREAD

No.OFF-02

OLD NO.035004

ITEM	DESCRIPTION	No. OFF	MATERIAL	REMARKS
LIST OF PARTS				
COMPT. No.	ASSY. DRG.	OPTO ELECTRONICS FACTORY DEHRADUN		
2007	RED DOT SIGHT	TITLE		
DRAWN	GEN. TOL. IS 2102-M (PT.-1)	CAP		
CHECKED	16/4	REF.		
HOS	16.4	M		
	16.4	DRG.No. OLF/R&D/RDS/001.04.07		
AWM/R&D	NAME	SCALE: 2:1		
	DATE	SHTS. 08		
	M/Yr.	SHT. No. 06		
	4/07	APPROVED		
AMENDMENTS				