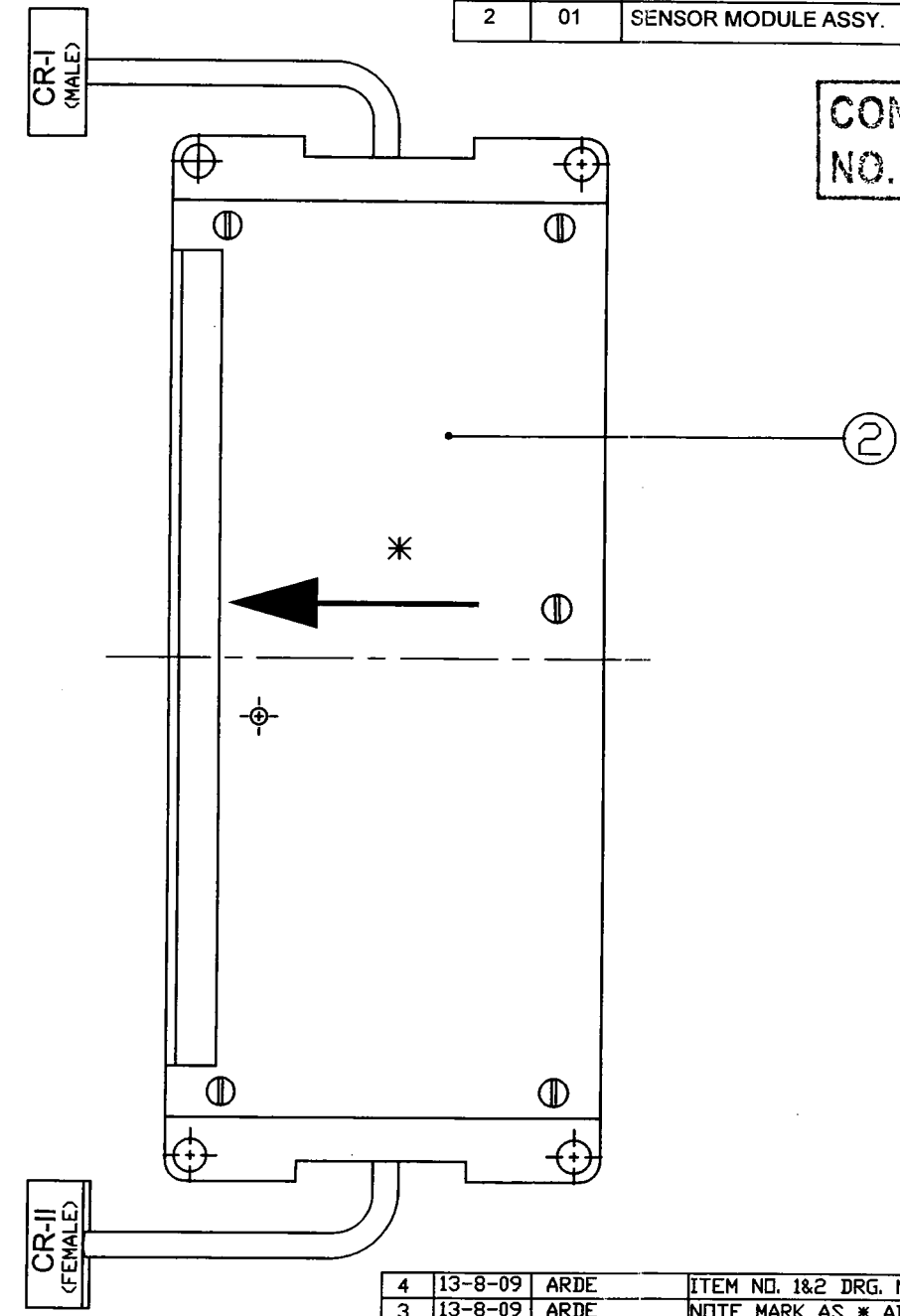
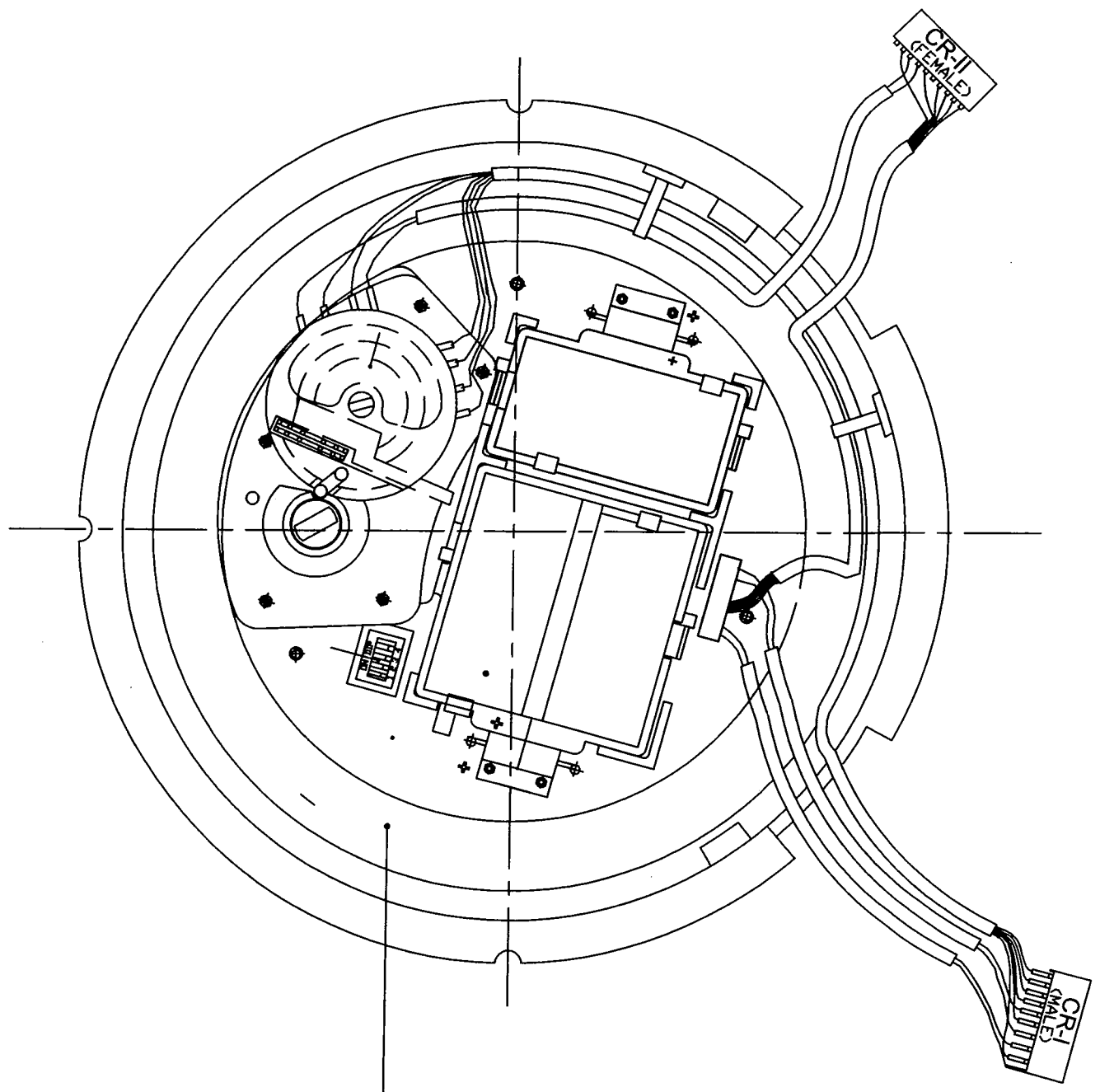


DRG No. 9707 00 02 00 01 000 00TB
 IC SS S AA A C SSS

GEN. TOL. MEDIUM/G/BARSE/FINE CLASS TOIS:2102
 DRAWING CONVENTION CONFORM TO INDIAN STDS.
 DIM IN mm UNLESS OTHERWISE STATED

ITEM LIST			
ITEM	QTY.	DESCRIPTION	DRG. No.
1	01	EJECTION HOUSING CONE & TIMER PLATE ASSEMBLY.	9707 00 02 00 01 000 00TB
2	01	SENSOR MODULE ASSY.	9707 00 02 00 02 000 00TB

CONTROLLED COPY
 NO. 01



NOTE :-
 ITEM NO.1 AND ITEM NO.2 WILL BE ASSEMBLED ONLY AT THE TIME OF ASSEMBLY WITH THE ADRUSHY HARDWARE/BODY
 * ARROW OF STICKER/PERMANENT MARKER MARK OF SUITABLE COLOUR TO BE MADE ON THE LACQUER PCB AS SHOWN.

4	13-8-09	ARDE	ITEM NO. 1&2 DRG. NO. CHANGED	A,B-10		
3	13-8-09	ARDE	NOTE MARK AS * ADDED	H-4		
2	13-8-09	ARDE	IN ITEM NO. 2 CR-I CHANGED TO CR-II	F-6		
1	13-8-09	ARDE	IN ITEM NO. 2 CR-II CHANGED TO CR-I	B-6		
R No.	DATE	AUTHORITY	BRIFE RECORD	ZONE	CD	GD
DRN. UND	CHD	CHP	MATERIAL:			
APPD	DATE:	FOR DIRECTOR	PROTECTIVE FINISH:			
SEALED	DATE:		TITLE:			
SCALE: 1:1	EST MASS		FUZE FOR ADRUSHY MK II (ASSY.)			
DESIGN AUTHORITY	ARDE					
DRG No.	9707	00	02	00	00	0000 00TB
PART No.	IC	SS	S	AA	A	C SSS
		DS CAT No.				AHSP