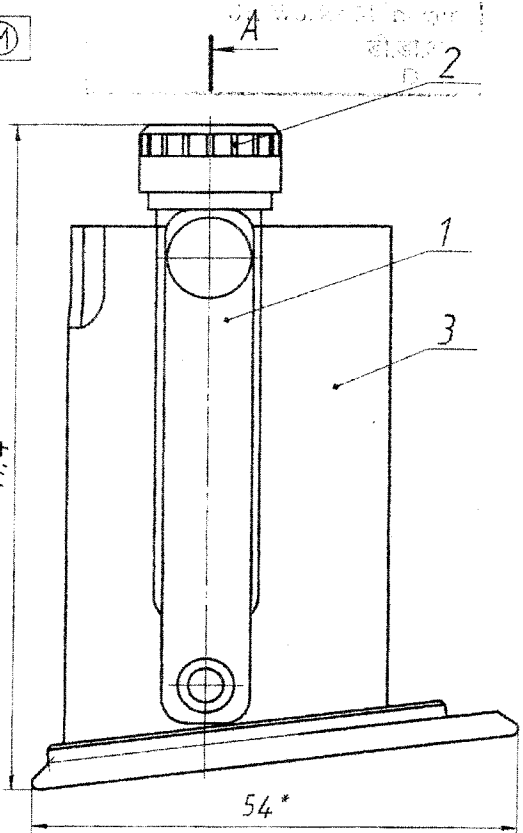
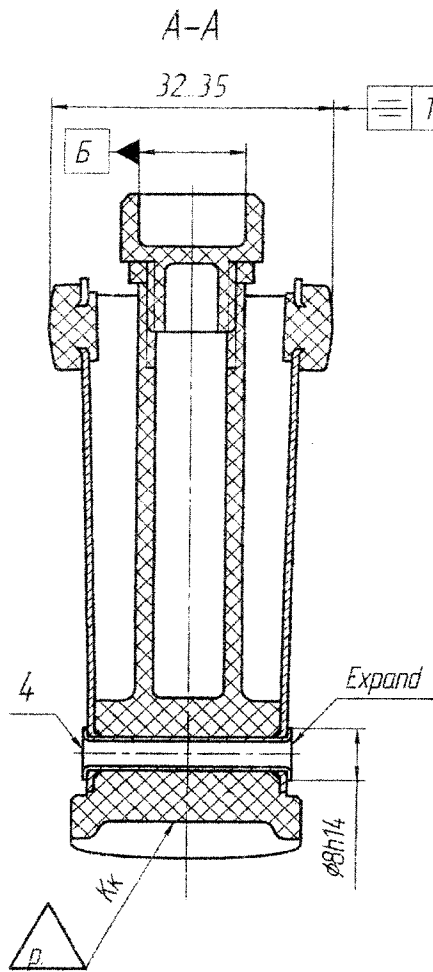
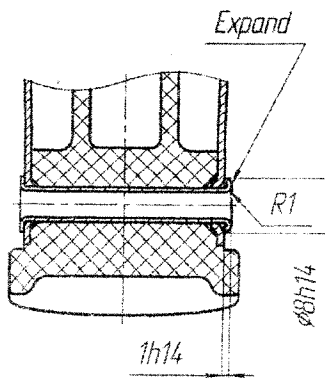


Handwritten notes: HOS/MD, 01/11/23

DRG. NO. 6649/TE



A-A Variant



- 1 * Reference dimensions.
- 2 Unspecified tolerances according to 6145-1.C0TY/E2.
- 3 Appearance of pistol grip box assembly to be according to control sample
- 4 Coating of whitened surfaces is varnish based on polyvinylbutyral ПВ-1 GOST 9439-85 with nigrosine of grade A GOST 9307-78.
- 5 Stamp.

S. N.	NOMINCLATURE	DETAILS
1.	LATCH ASSY. ASSY. DRG. (i) PLATE (ii) Materials: -7A 6-211-AC (MKC-21), 0.4g first quality grade, GOST 17648-83	SK-6588/TE SK-6598/TE
2.	PLUG ASSY. ASSY. DRG. (i) PLUG (ii) GASKET	SK-6586/TE SK-6537/TE SK-6523/TE
3.	BOX BODY	SK-6587/TE
4.	BOX RIVET	SK-6525/TE

Weight: 40 g

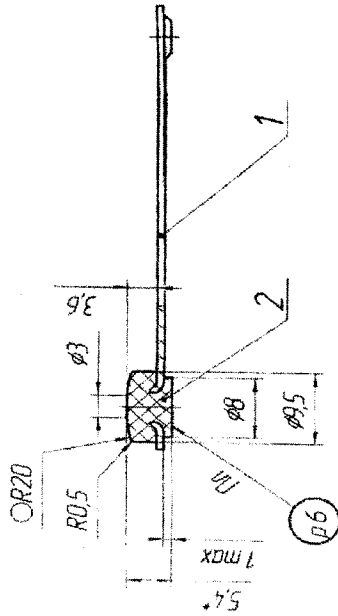
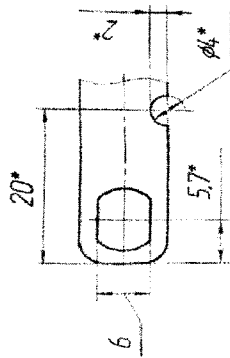
7.62X39mm AR-SAF Pistol grip box assembly Assembly drawing			DRAWN SEEN BY CHECKED
SCALE N T S			DATE 01/11/2023 APPROVED
SMALL ARMS FACTORY KANPUR		DRG. NO. SK-6649/TE	
		SHIT. 1 OF 1	

DRG. NO. - SK-6588/TE

D.A. NO.

10.05.1980

01/11/83



- 1 Polyamide coloring agent is BASKO concentrate. 19.20.16.59-001-23124.265-2018. PA901/12-DA 12 %I. black
- 2 * Reference dimensions
- 3 Pattern draft angles are within dimensional tolerance.
- 4 Unspecified tolerances according to 6745-1.0074/E2
- 5 Roughness of external surfaces for part pos 2 \sqrt{Ra} 1,25 to be ensured by tool.
- 6 Mark mold number and mold cavity number using font 2-1p3 GOST 26.008-85.
- 7 Stamp K on lat label.

S. NO.	NOMINCLATURE	DETAILS
1.	PLATE	SK-6598/TE
2.	Materials :-	ПА 6-211-AC (MKC-21), 0.4 g first quality grade, GOST 17648-83

7.62X39mm AR-SAF
LATCH ASSEMBLY
ASSEMBLY DRAWING

SMALL ARMS FACTORY
KANPUR

SCALE
 1 : 1



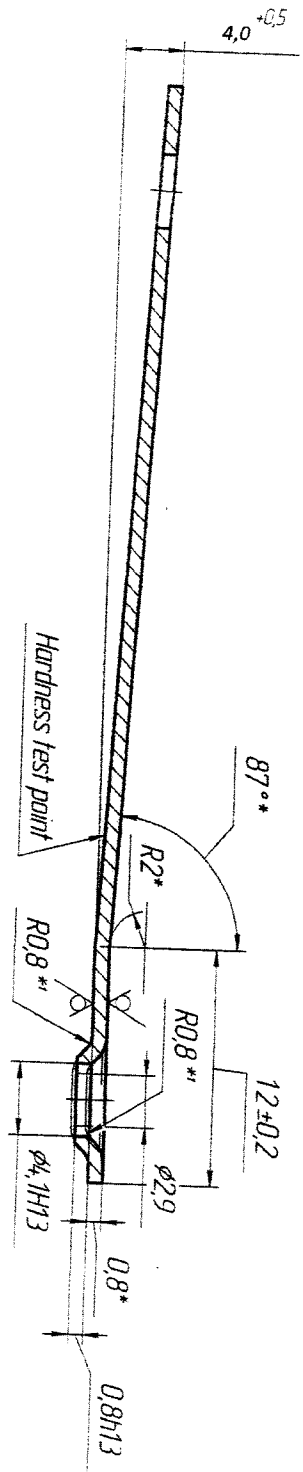
DRAWN	TRACED	CHECKED
DATE	09-10-2023	
APPROVED		
DRG. NO.	J.W.M./DNO	
	SK-6588/TE	
SHT.	1	OF 1

SHT. 1 OF 1

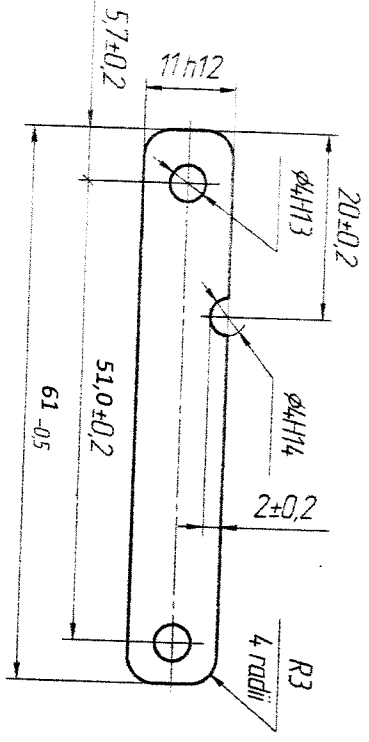
AI/8659-KS

DRG. NO.

√ Rz 20 /



Q₂ (2:1)



Strip 65C2BA-H0-0,8
GOST 2283-79

- 1 73.76 HRA
- 2 * Reference dimensions.
- 3 ** Dimensions to be ensured by tool.
- 4 Unspecified tolerances according to GOST 5-10814/E2.
- 5 Coating is Chem. Phos chr/impreg. with 6P-4 glue.
- 6 GOST 12172-2016 with migrasine of grade A GOST 9307-78.
- 6 Stamp K. N on lot label.

7.62x39mm AR-SAF
Plate

Weight: 3.5g

DRAWN	SEEN BY	CHECKED
DATE	10.10.23	
APPROVED		

SMALL ARMS FACTORY
KANPUR

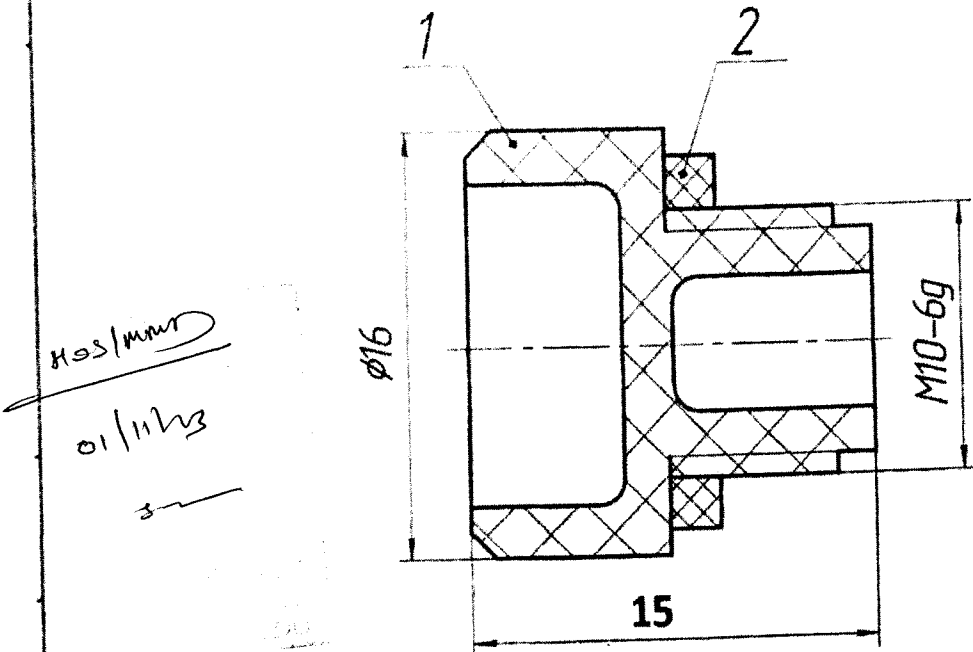
ORG. NO. SK-6598/TE

SCALE
N.T.S.

SHT. 1 OF 1

Handwritten signature and date: 6/11/23

SK-6586/TE



1 Reference dimensions.
2 Stamp K on lot label.

S. NO.	NOMINCLATURE	DRG. NO.
1.	PLUG	SK-6537/TE
2.	GASKET	SK-6523/TE

Weight: 4 g

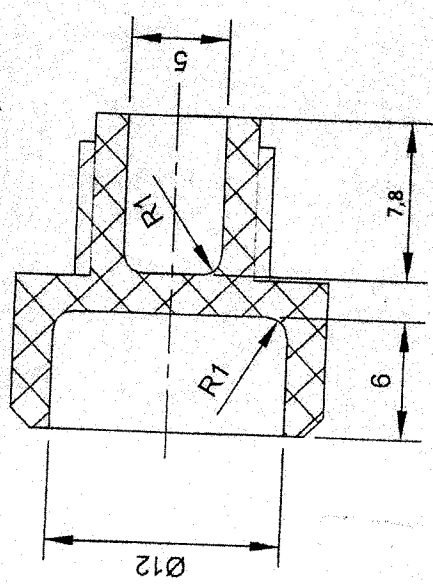
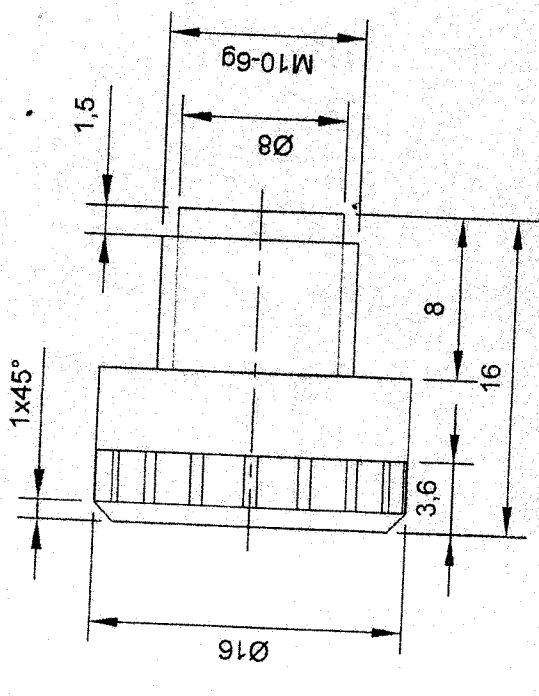
7.62x39mm AR-SAF
Plug assembly
Assembly drawing

DRAWN	SEEN BY	CHECKED
DATE	13/09/2023	
APPROVED		
	HOS/DDO	
DRG. NO.	SK-6586/TE	
SHT.	1	OF 1

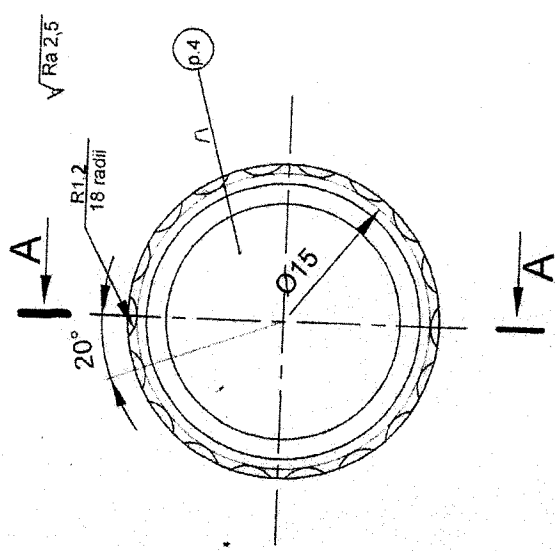
SCALE	
NTS	

SMALL ARMS FACTORY
KANPUR

SK-6537/TE



A-A



- 1 Polyamide coloring agent is BASKO concentrate, Ty 20.16.59-001-23.124265-2018, П4901/12- A(2%), blank.
- 2 Pattern draft angles are within dimensional tolerance.
- 3 Unspecified tolerances according to 6П45 -1. C6Ty/E2.
- 4 Mark cavity number using font 3-П3 GOST 26.008-85.
- 5 Stamp K on lot label.

ПА 6-211-Д С (МКС-21), first
quality grade. GOST17648-83

Weight: 2.9 g	
DRAWN	SEEN BY
CHECKED	
DATE	16/07/2023
APPROVED	
DEG. NO.	MS/020
SK-6537/TE	
SHT 1 OF 1	

7.62x39mm AR-SAF	
Plug	
SCALE	1:1
NTS	
SMALL ARMS FACTORY	
KANPUR	

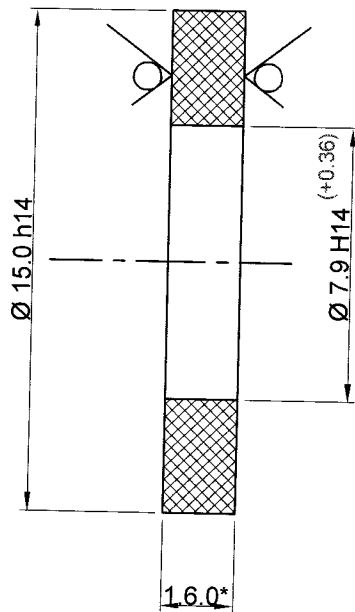
Handwritten signatures and initials: *Handwritten signature*, *Handwritten signature*, *Handwritten signature*

DRG. NO.-SK-6523/TE

D.A. NO.

SK- 6523/TE

Rz 40(✓)



Handwritten signature: Hos/mud, 01/11/23

NOTE:-

- 1. * Reference dimension.
- 2. Stamp K on lot label.

MATL.:- Sheet 2ø-I-M6C-M-2 GOST 7338-90

Weight:- 1.0g

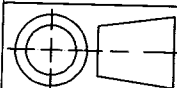
7.62X39mm AR-SAF

Gasket

DRAWN	TRACED	CHKD.
A.VERMA		
DATE	10-08-2023	
APPROVED		
JWM/DDO		

SCALE

5 : 1



**SMALL ARMS FACTORY
KANPUR**

DRG.NO.

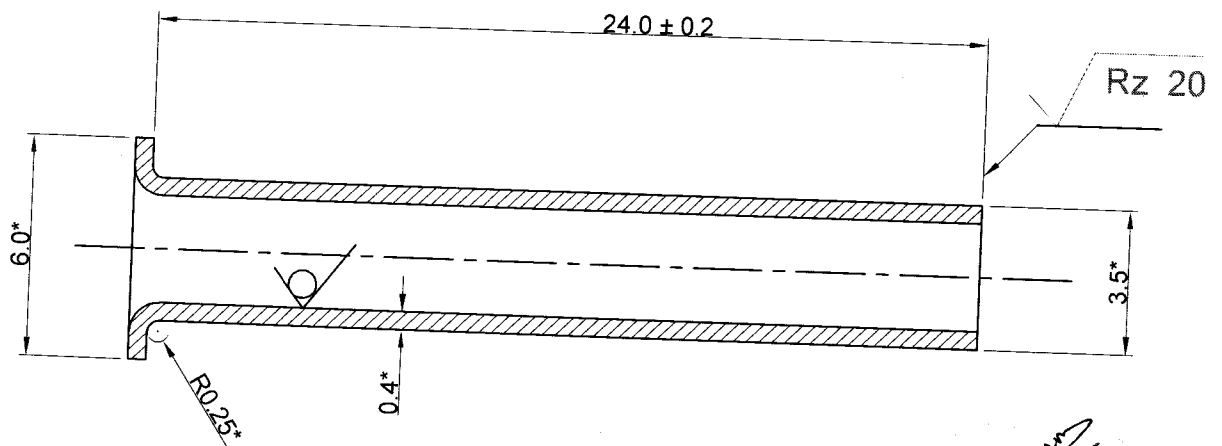
SK- 6523/TE

SHEET 1 OF 1

DRG. NO. SK-6525/TE

D.A. NO.

SK- 6525/TE



NOTE:-

1. * Reference dimension.
2. Stamp K on lot label.

MATL.:- Steel 20-I-M6C-M-2-1 GOST 7338-90
Weight:- 0.10g

7.62X39mm AR-SAF
Box rivet

DRAWN	TRACED	CHKD.
A.VERMA		
DATE	10-08-2023	
APPROVED		
JWM/DDO		

SCALE
5 : 1

SMALL ARMS FACTORY
KANPUR

DRG.NO.
SK- 6525/TE
SHEET 1 OF 1

