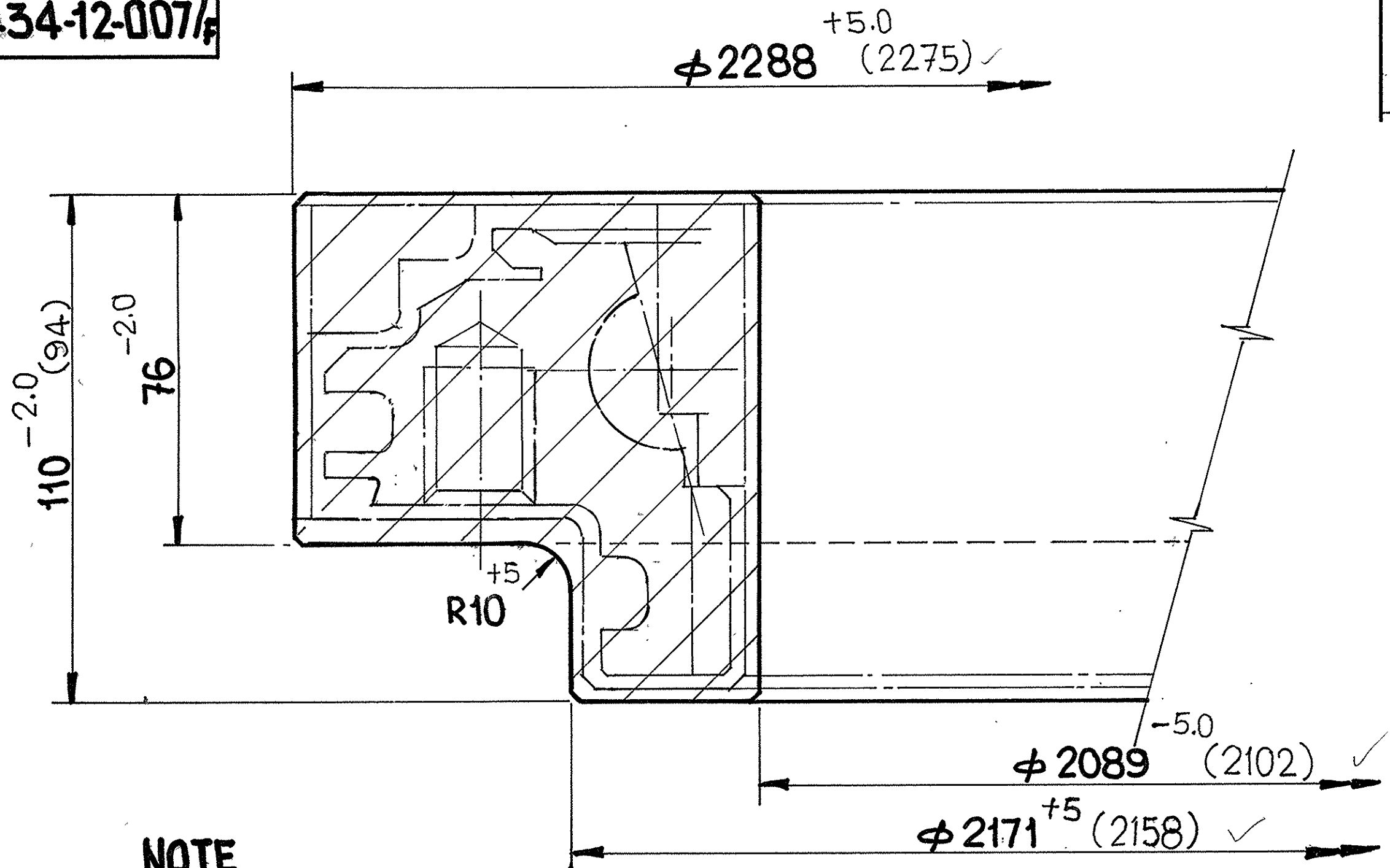


PART NO.
434-12-007/F

ISS.	MODIFICATION	DATE
A	REDRAWN TO SCALE BY SUPER-IMPOSING MACHINING OPERATIONS	18/12/99



NOTE

FORGINGS ARE TO BE SUPPLIED IN ROUGH MACHINED CONDITION.
 ALL TECHNICAL REQUIREMENTS SHOULD CONFIRM TO TY-14-1-2982-80.
 MACHINING DIMNS ARE SHOWN IN BRACKETS.
 ALL DIMNS ARE SHOWN IN MM.
MATERIAL :- 45XHM, TY-14-1-2982-80
WEIGHT :- 511 KGS (APPROX)

TY14-102 152-98

SCALE	COMPONENT	FG. WT.	MATERIAL
1:1	~ T-72 AJEYA RING RACE LOWER	511 kgs (APPX.)	45XHM TY.14-1-2982-80
THIS DRG IS USED WITH J&T DOSPECN. II/JT ISSUE - NIL			HVFACTORY, AVADI
DRN.	CHD.	APPD.	AUTHD.
BLANK SIZE FOR RING RACE LOWER			PART NO. 434-12-007/F