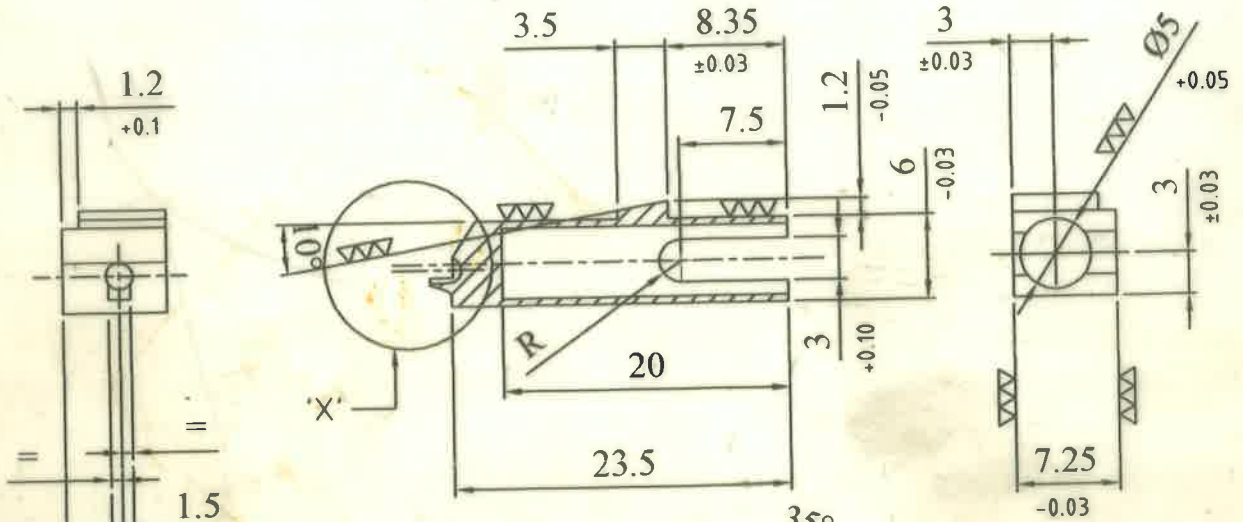


NO. QS/ISO-9000/DO/01
REV. NO. 00-DT. 09-06-2001



SCALE 1:1

DATE	D.A. NO.	NATURE	J.W.M.(D.O.)
07/03/18	05/18	Alt. Matl. for MIM Route added	R. V. M. J.



ALT. MATL. FOR MIM ROUTE:-

ASTM MIM-4605 OR
MPIF MIM-4605

C: 0.4-0.6%, Mo: 0.2-0.5%
Ni: 1.5-2.5%, Si: ≤ 1%
Fe: BALANCE,
SINTERED DENSITY: 7.5 g/cm³ mm.
MATERIL.-IS:3930/1966

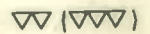
40 Ni 2 Cr 1 Mo 28 EN 24

HEAT TREATMENT: HARDNESS 350-450 VPN

DIMENSIONS ARE IN mm.

DETAIL AT 'X'

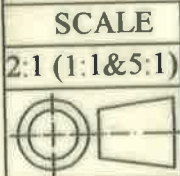
SCALE :- 5:1



REVOLVER 32(7.65) MK-III

REBOUND SLIDE

DRAWN	TRACED	CHKD
<i>Opant</i>		<i>11/11</i>
DATE	10-03-2008	
APPROVED	<i>Shah</i>	
	JWM/DO	



**SMALL ARMS FACTORY
KANPUR**

DRG. NO.	PHMK-III-1-22	
SHEET	1	OF 1