

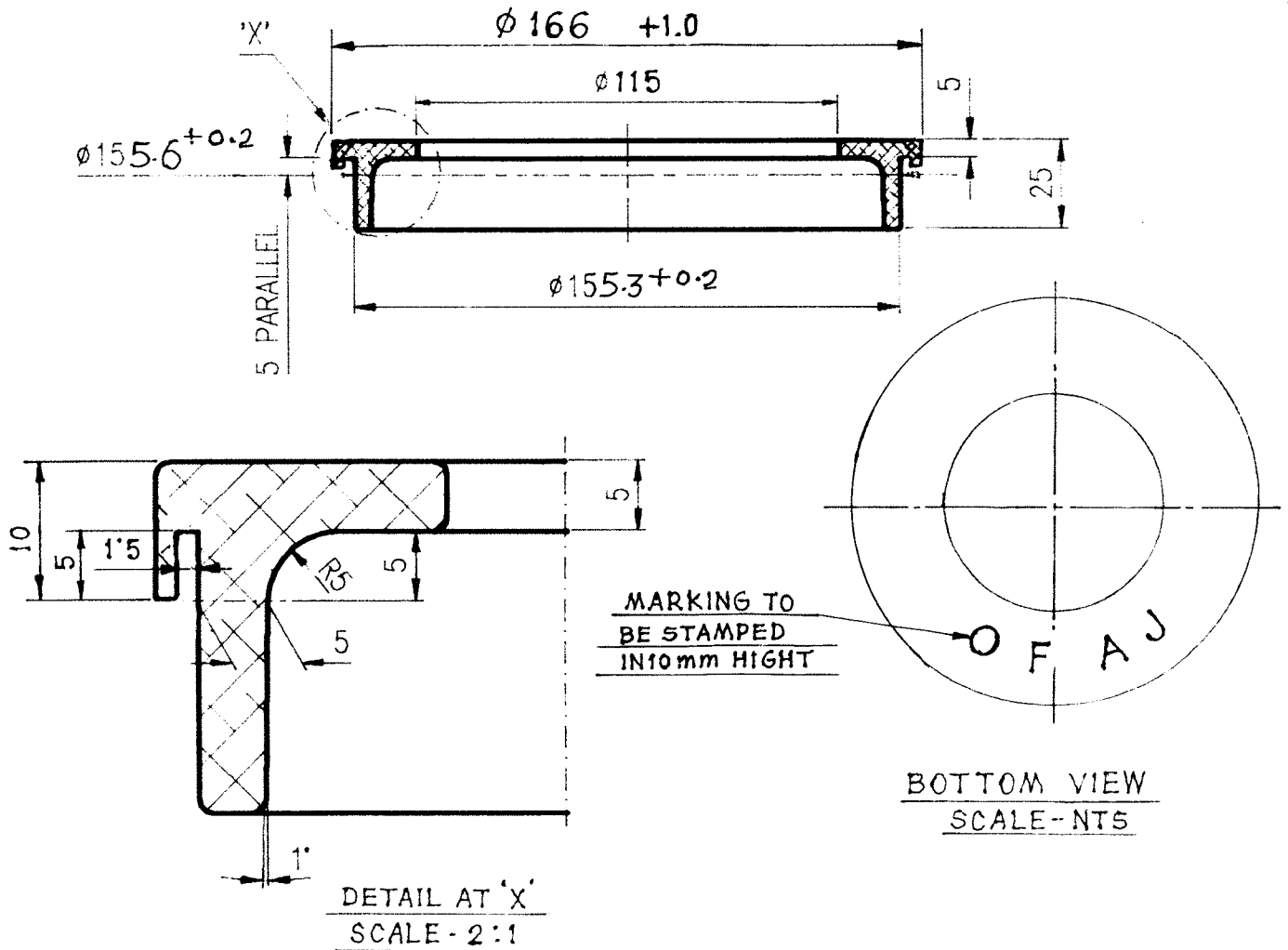
DRG.NO: **CC-509A**

AMENDMENTS

UNSPECIFIED MACHINING DEVIATIONS			ANGULAR DIMENSIONS		SURFACE ROUGHNESS	
ABOVE	UPTO	DEVIATION	LENGTH OF SHORTER SIDE OF ANGLE		DEVIATION IN	MAX. Ra VALUE IN μm
			mm	DEGREE OR MINUTES	SYMBOL	
-	6	± 0.10				
6	30	± 0.20	ABOVE	UPTO	\sim	50
30	120	± 0.30	-	10	∇	25
120	315	± 0.50	10	50	$\nabla\nabla$	6.3
315	1000	± 0.80	50	120	$\nabla\nabla\nabla$	0.8
1000	2000	± 1.20	120	-	$\nabla\nabla\nabla\nabla$	0.1

REV.	DATE	DESCRIPTION	SIGN.
36/12 A	5/3/12	MATL JSS-9330-03-95 LDPE TYPE-II WAS LOW DENSITY POLY-THENE	Meh JGM cm

TO BE MARKED ON COMP
CC-509A



ALL SHARP CORNERS ARE TO BE BLENDED WITH SUITABLE RADII
COLOUR : MILKY WHITE/ BEIGE

DIMENSIONS ARE IN mm			MATERIAL: JSS-9330-03-1995		ORDNANCE FACTORY AMBAJHARI	
THIRD ANGLE PROJECTION			LDPE = TYPE-II			
SCALE : 1 : 1			NOMENCLATURE:		DRG. NO.:	
2009			MOUTh PROTECTOR		CC-509A	
NAME	DATE	SHEET NO: 1				
DRAWN		NO. OF SHEETS: 1				
TRACED		OPERATION NO:				
CKD.		COMPT.				
JWM/CDD	14.02.09	M/C :				
JGM/ccs	14.02.09	STORE: 125 SCCC				