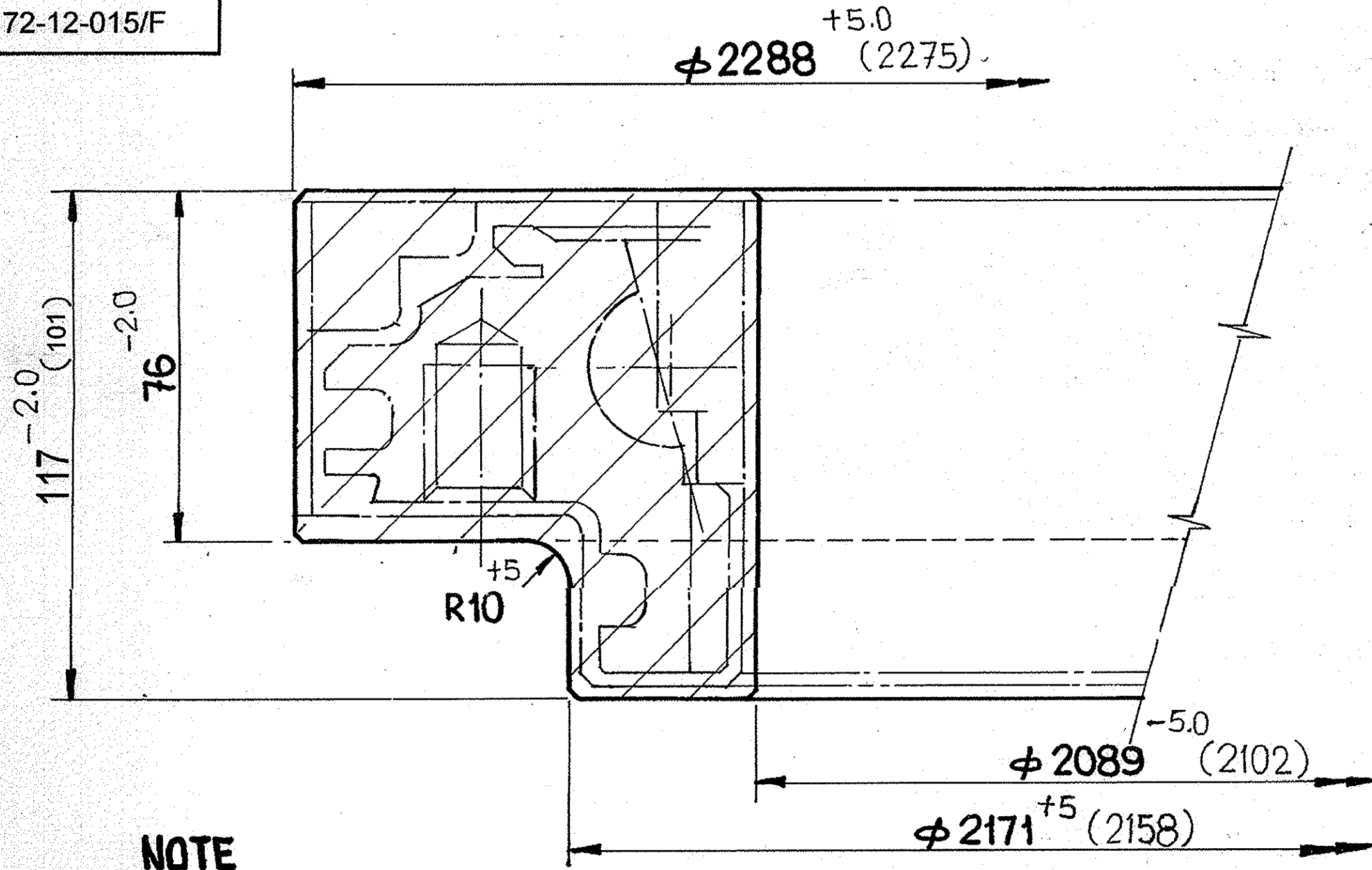


PART NO.  
172-12-015/F

ISS.	MODIFICATION	DATE



**NOTE**

FORGINGS ARE TO BE SUPPLIED IN ROUGH MACHINED  
CONDITION.  
ALL TECHNICAL REQUIREMENTS SHOULD CONFIRM TO  
TY14-102-182-98  
MACHINING DIMNS ARE SHOWN IN BRACKETS.  
ALL DIMNS ARE SHOWN IN MM.  
**MATERIAL :- 45XHM, TY14-102-182-98**  
**WEIGHT :- 526KGS (APPROX.)**

T-90

SCALE	COMPONENT ~ T-90'S	FG. WT.	MATERIAL
NTS	<b>RING RACE LOWER</b>	526kgs (APPX.)	45XHM TY14-102-182-98
THIS DRG IS USED WITH J&T DDSPECN. II/JT ISSUE - NIL			HVFACTORY, AVADI
DRN.	CHD.	APPD.	AUTHD.
<i>[Signature]</i>	<i>[Signature]</i>	<i>[Signature]</i>	<i>[Signature]</i>
<b>BLANK SIZE FOR RING RACE LOWER</b>			PART NO. 172.12.015/F