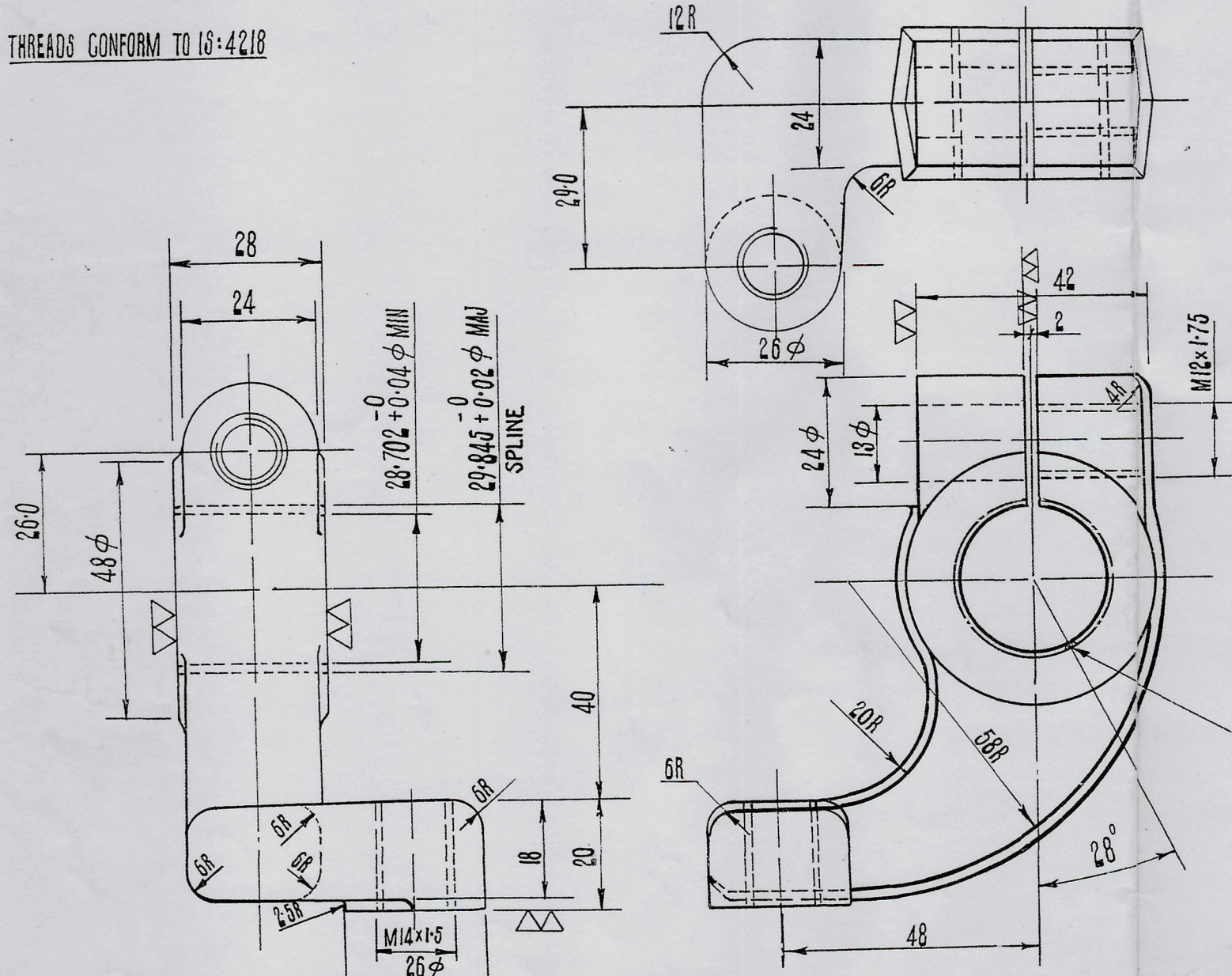


THREADS CONFORM TO IS:4218



INVOLUTE SPLINES (INTERNAL)  
BOFORS STANDARD CLASS A2-B1  
D.P. \_\_\_\_\_ 40  
NO. OF TEETH \_\_\_\_\_ 45  
P.G.D. \_\_\_\_\_ 29.210  
CIRCULAR SPACE WIDTH 0.998 <sup>0</sup>/<sub>+0.025</sub>  
DIA OF PIN \_\_\_\_\_ 0.914  
DIMENSION BETWEEN PINS 28.194 <sup>0</sup>/<sub>+0.044</sub>  
BROACH B14 - 28-40x46

NOTE -  
TO BE HEAT TREATED TO  
TS = 686 MPa MIN  
IZOD = 47 J MIN  
ELONGATION (5.65 VA) = 18% MIN

DRAWN:- CHD- ASSY DRG:- 1015-000763				<b>CQA(W), JABALPUR</b>			
SCANNED:- MK				CHD:- <i>Ajha</i>		DATE:-	
5.11.07				AHSP		SCALE:- 1:1	
SCANNED & PRINTED WITHOUT CHANGE				C/D'MAN		ESTD mass:- SEE TABLE	
DATE AUTHORITY ZONE AMENDMENTS				MATERIAL:- IS: 4367-37 Mn <sup>2</sup> IS: 4367-1991 GRADE 37C15			
PREV DC Nos:- 15961-W, 16095-W, 18819-W & 19009-W DATED 03-11-06				PROTECTIVE FINISH:- TO BE PHOSPHATED AS PER SPECN. WPN / GEN / 3 CLASS II TYPE 13 (j)			
DRG SEALED PROV :- 16095-W DT 23-12-83				<b>LEVER REMOTE CONTROL</b> <b>लीवर रिमोट कन्ट्रोल</b>			
DO CQA(W)				DESIGN No. <b>D6P- 240207</b>		PART No. <b>IFL 7763</b>	
DO CQA(W)				DS CAT No. <b>3040-003323</b>		DO CQA(W)	