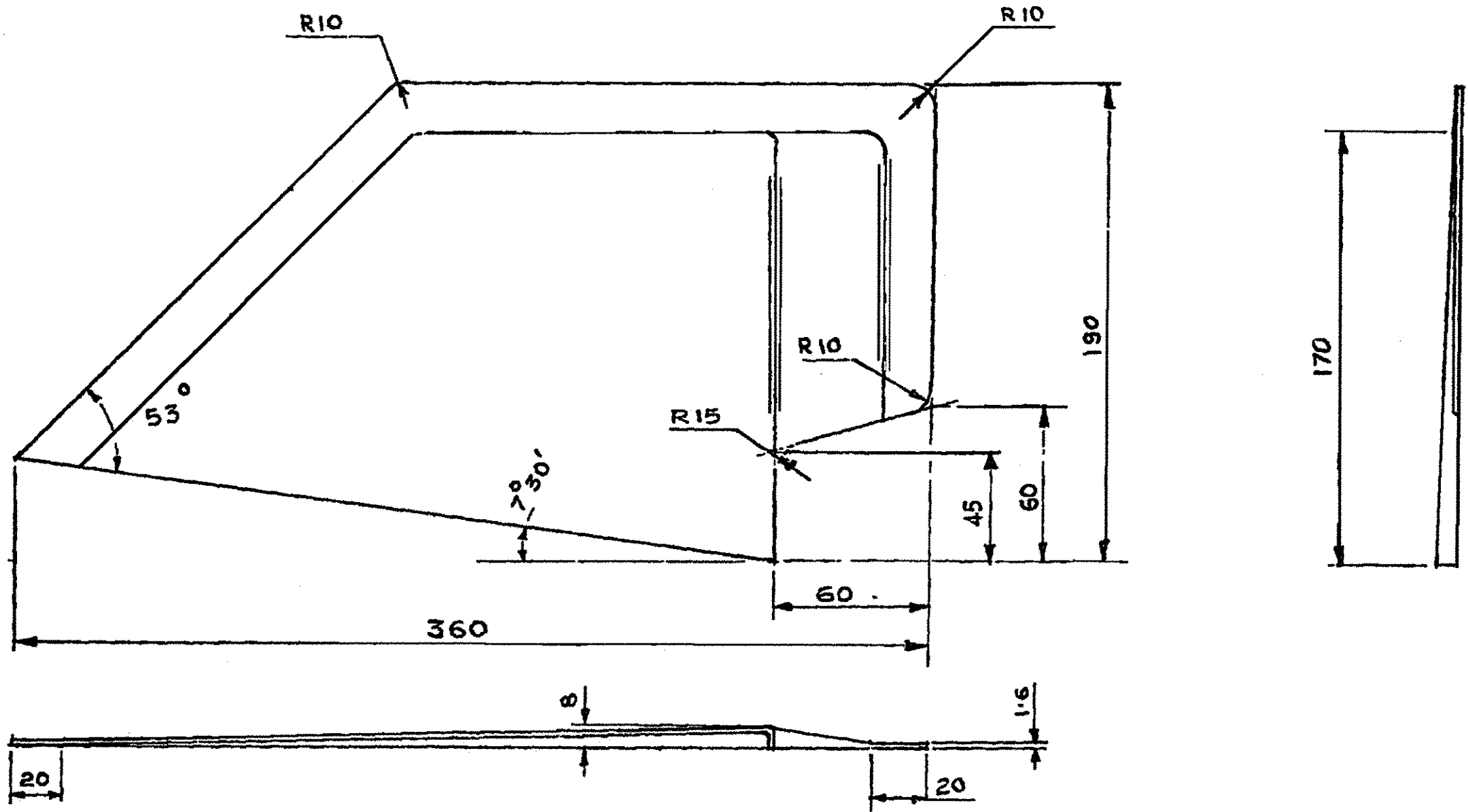


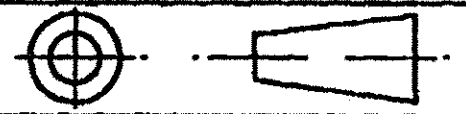
PART No. 13
 SHTS 3
 DET. No. 13
ARDE 9501-03
 DRG No.

DRAWING CONVENTIONS CONFORM TO IS
 DIMNS ARE IN m m. UNLESS OTHERWISE STATED
 GEN. TOL. MEDIUM/COARSE/FINE CLASS TO IS - 2102

NOTE : ALL SHARP EDGES & BURRS ARE TO BE REMOVED.



						DRN. C R Phel	CHD. S	TRD.	COMP.	ASSY DRG ARDE 9501-03 / 13 SHT 1
						CD	PASSED	SCALE: 1:2		DESIGN AUTHORITY
						APPROVED	FOR DIRECTOR	EST MASS:		ARDE PUNE - 411 021
1	23.10.17	RCMA(AA)1434/3/11.9.17	DRG.AMENDED VIDE AL. NO.21/2017	MATL.				GAUGE SCHD:		
R NO.	DATE	AUTHORITY	BRIEF RECORD	ZONE	CD	GO	MATL: STEEL TO IS:513:2008 DESIGNATION CR 2	DATE: 23-5-96		
DRG SEALED (PROV.)			For in hand CRE(AA)	19 APR. 2000	SIGN			PROTECTIVE FINISH: PHOSPHATED TO IS:3618 CLASS 'B'		



TITLE

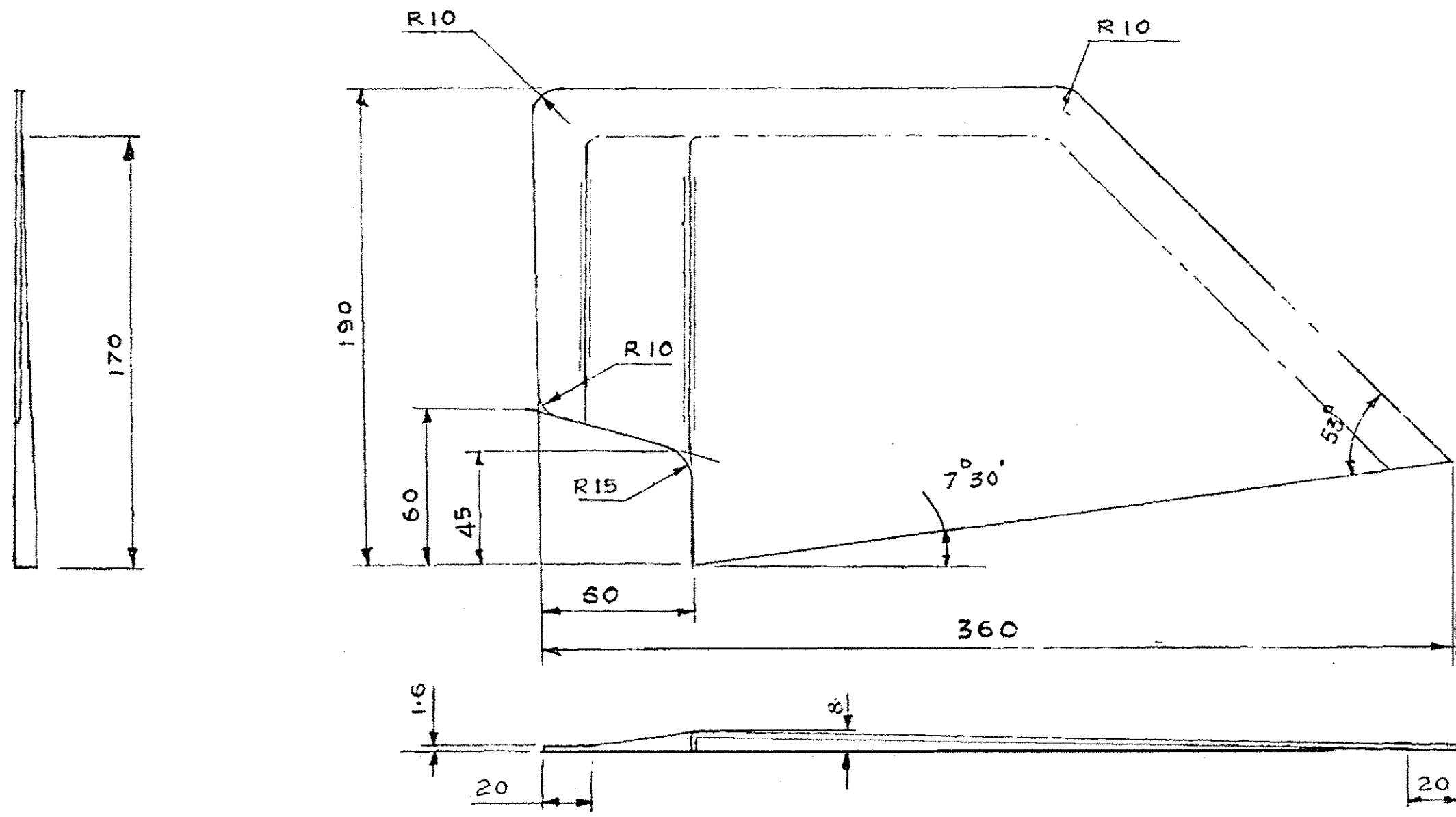
FIN LEFT

DRG. No. **ARDE 9501-03**
 DET. No. 13 | SHTS. 3 | SHT No 2
 PART No.
 D S.CAT No.
 A.H.S.P

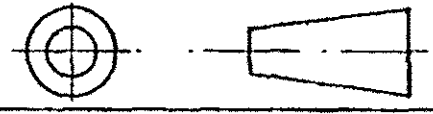
DRG No. ARDE 9501-03
 DET. No. 13 SHTS 3
 PART No.

DRAWING CONVENTIONS CONFORM TO IS :
 DIMNS ARE IN m.m. UNLESS OTHERWISE STATED
 GEN TOL MEDIUM/COARSE/FINE CLASS TO IS : 2102

NOTE :- ALL SHARP EDGES & BURRS ARE TO BE REMOVED.



						DRN. C.R. Phelil	CHD. G.L. - 6	TRD.	COMP.	ASSY DRG. ARDE 9501-03 / 13 SHT 1
						CD	PASSED	SCALE : 1 : 2		DESIGN AUTHORITY
						APPROVED	FOR DIRECTOR	EST MASS		ARDE PUNE - 411 021
1	23.10.17	RCMA(AA)1434/3/11.9.17	DRG.AMENDED VIDE AL. NO.21/2017	MATL.	@mm	CD	GO	GAUGE SCHED :		
R. NO.	DATE :	AUTHORITY	BRIEF RECORD	ZONE		SIGN		DATE . 23-5-1996		
DRG SEALED (PROV.)			See in Form (RE(AA))	19 APR. 2000				MATL : STEEL TO IS:513:2008 DESIGNATION CR 2		
								PROTECTIVE FINISH : PHOSPHATED TO IS: 3618 CLASS 'B'		



TITLE

FIN RIGHT

DRG. No. ARDE 9501-03
 DET. No. 13 SHTS 3 SHT. No 3
 PART No.
 D.S.CAT.No
 A.H.S.P.