

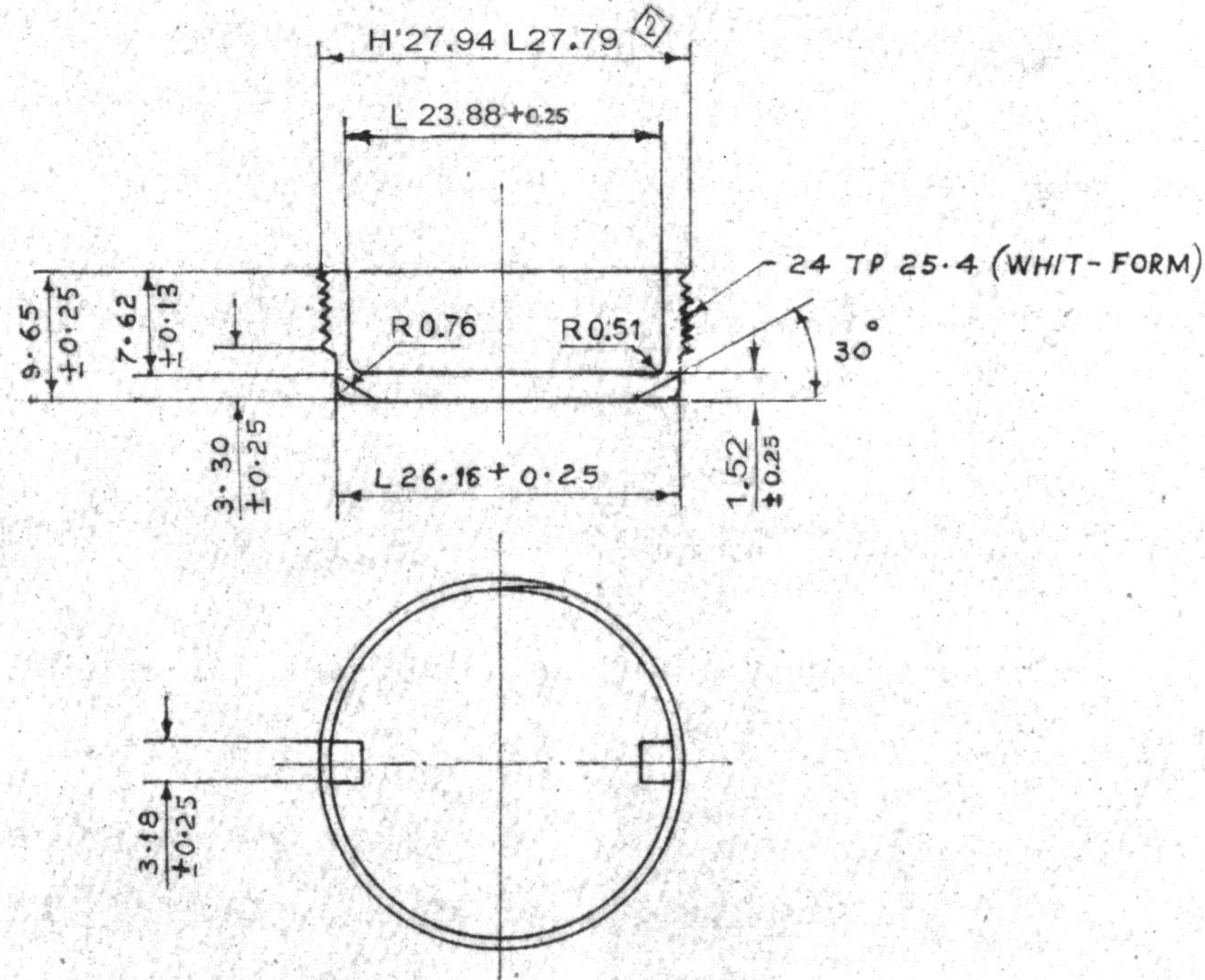
10X 12

PART. NO.

DRG. CONVENTIONS CONFORM TO IS : 686
DIMS. ARE IN mm

TOLERANCE ON UNTOLERANCED DIMENSIONS
FOR ONE DECIMAL PLACE ± 1.3
FOR TWO OR MORE DECIMAL
PLACES ± 0.13

D.C. 20474-A



NOTE :-

DIMENSION MARKED THUS \diamond
TO BE TRUNCATED UP TO 0.05

NOTE :-

TO BE PASSIVATED TO
SPEC. L 10205 (LATEST ISSUE)

MATERIAL :-

BRASS BS 2872 - CZ 122
OR BS 2874 - CZ 121 Pb 3
CONDITION 'M' (LATEST ISSUE)
OR BS 2870 CZ 107 IN 'O'
OR 1/4 H CONDITION.

R. NO	DATE	AUTHORITY	REVISION	ZONE	AHSP	D.O.	SIG.
	11-9-03		SCANNED WITHOUT CHANGED				
	30/12/92	D.C. 35434-A	DIMN. MARKED THUS \diamond 0.05 WAS 0.051, DIM'S AMENDED UP TO 2 DECIMAL POINTS & ASSY.DRG. REF. ADDED.				
	21-9-91		RETRACED WITHOUT CHANGE				
			PREVIOUS D.C. ^S (1) NOS 20471-A, 20582-A, 23021-A, 27436-A, 29959-A, 30249-A, 30249-A, 30502-A, 30674-A, 31957-A, 32076-A, 32648-A, 33517-A, 34180-A & 34831-A.				

DRN:-	CHD:-	TRD. DMN. COMP	ASSY. DRG.
C.D'MAN.	O'/C.D.O.	SCALE:- 2:1	10X 35GE, 10X 41GE
APPD.	FOR CQA(A)	EST. MASS:-	
MATL:- AS ABOVE	PROTECTIVE FINISH:-	GAUGE SCHD:-	
		DATE:-	DESIGNER'S REF.
			I.A.F.D. 42
			PART NO
			10X 12
			D.S. CAT No.
			AHSP:- C.Q.A(A) KIRKEE

MAGAZINE

DRG. SEALED:- 6-2-48