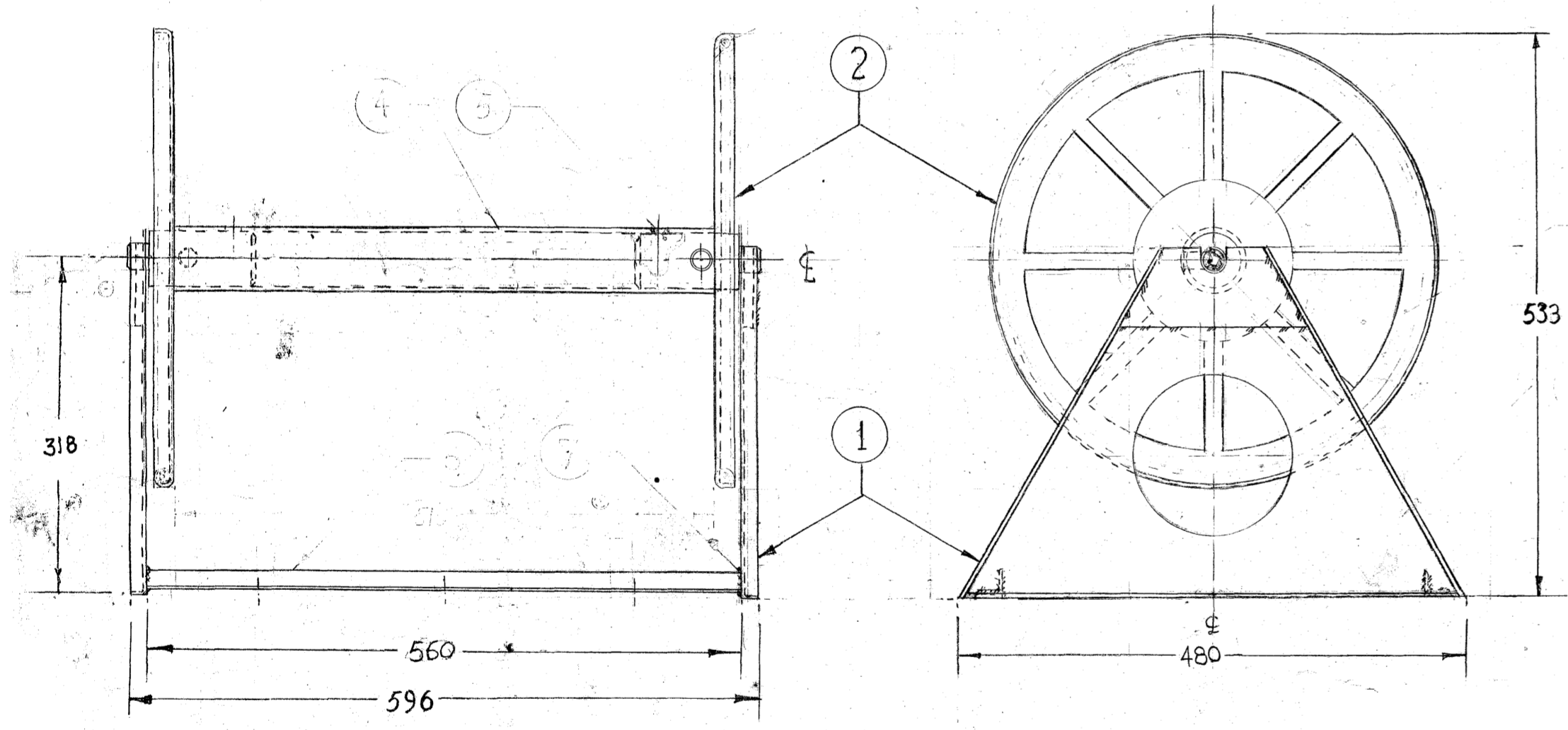
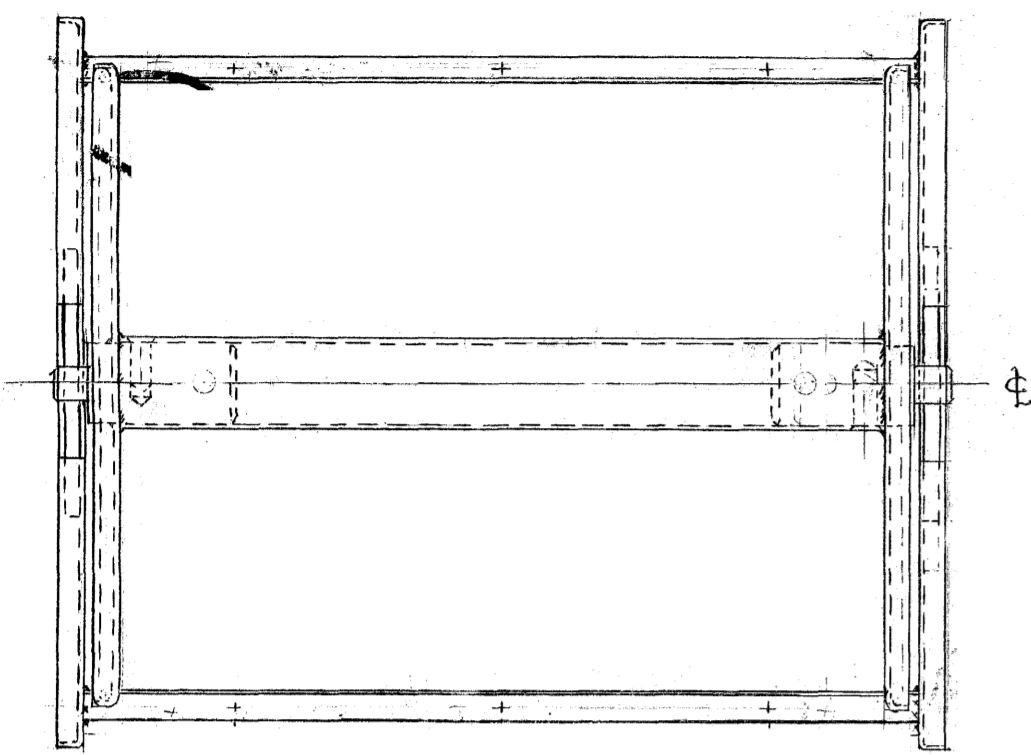
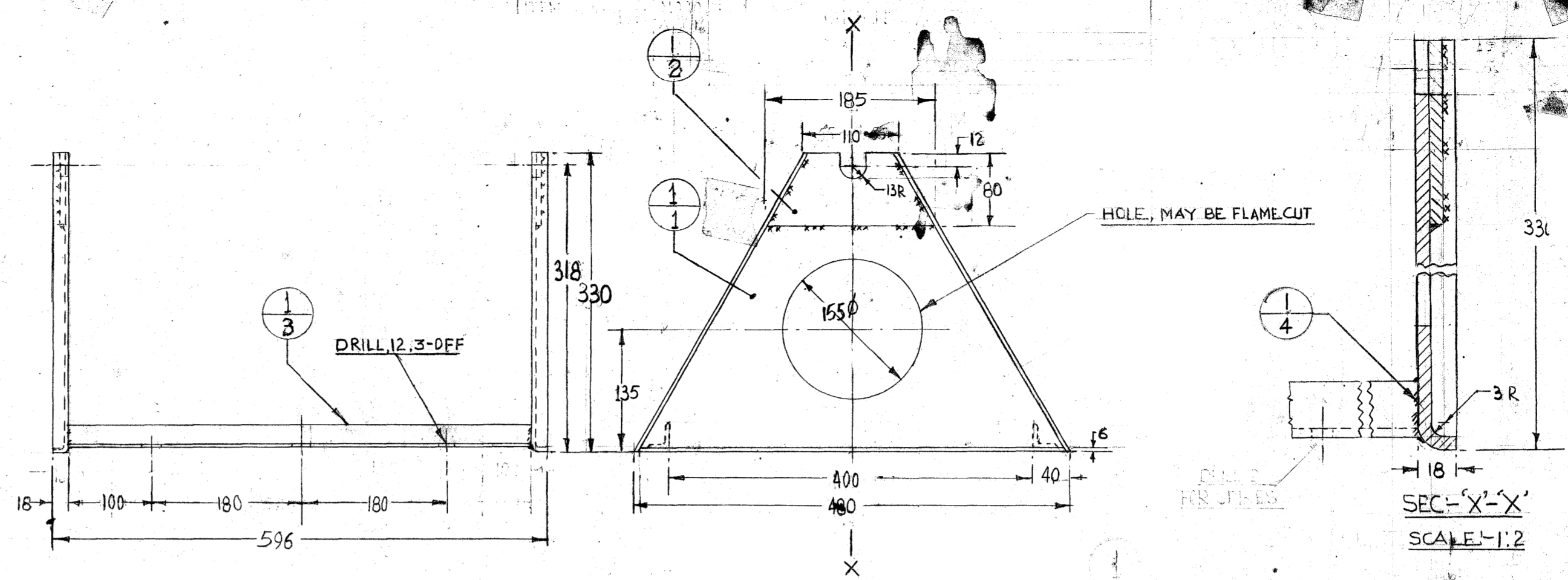


PART LIST			
ITEM NO	DRG/PART NO	NO TO A SET	NOMENCLATURE
1	-	1	PEDESTAL
2	-	1	DRUM

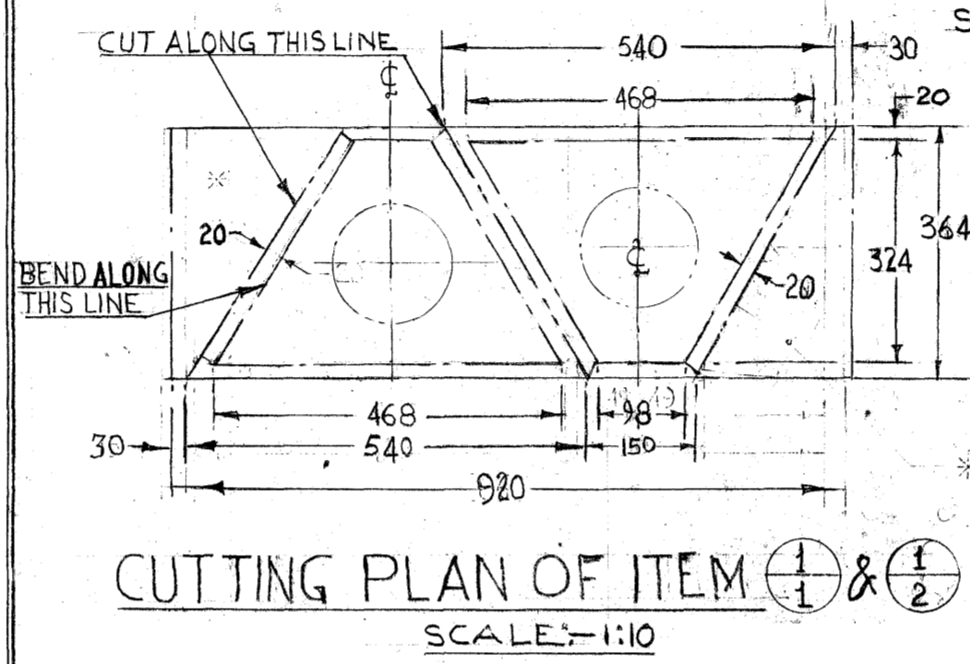


ROPE DRUM ON PEDESTAL (ASSLY)
FOR K.M BRIDGE
SCALE: 1:5

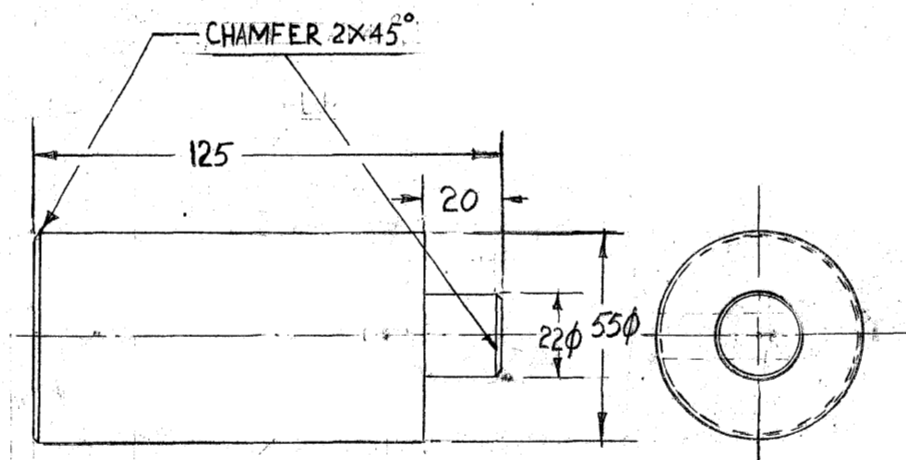


PEDESTAL
SCALE: 1:5

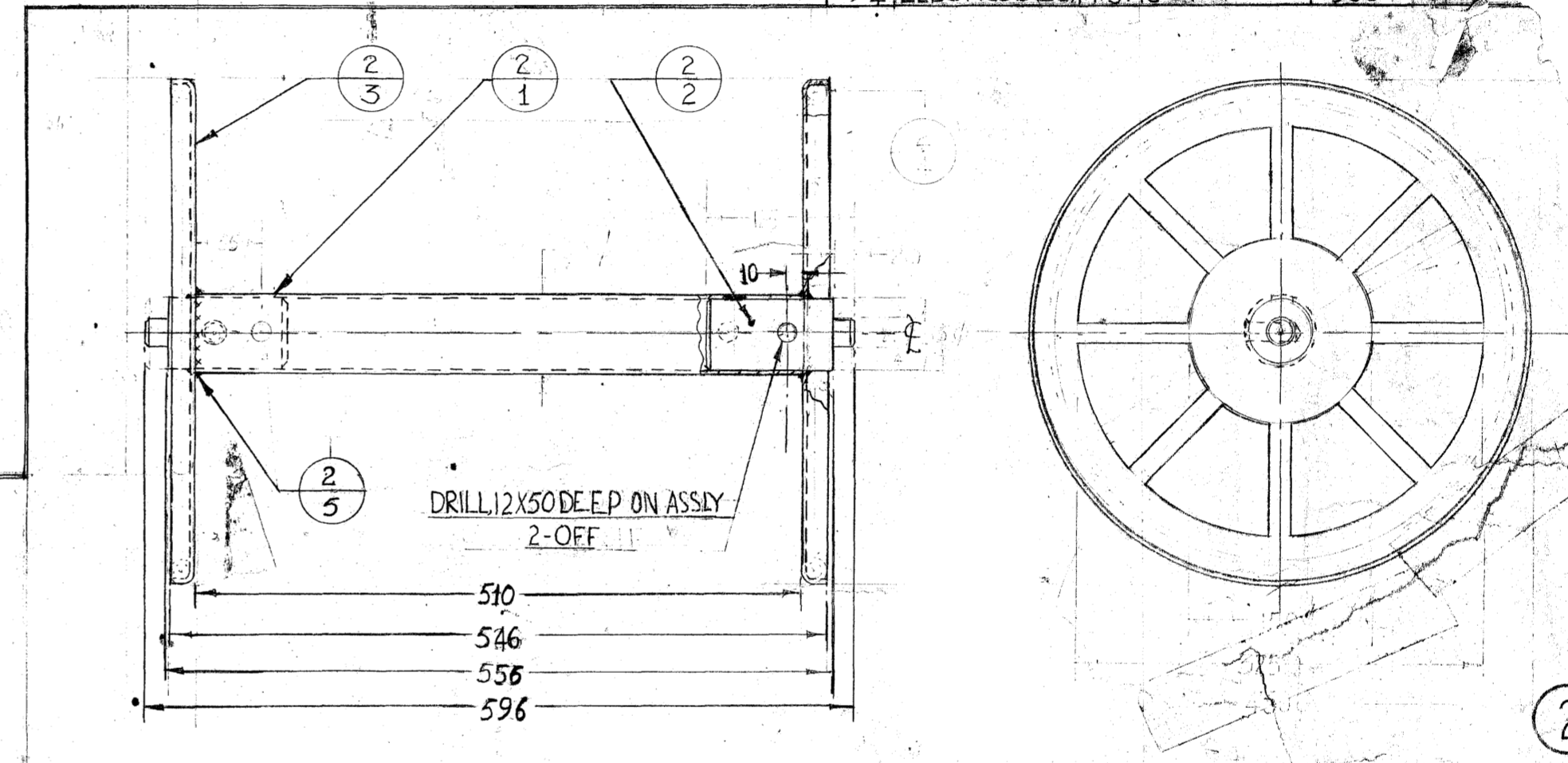
ITEM NO	MATERIAL	SIZE	QTY
1	PLATE, MILD STEEL 6THK	364X960	1-OF
2	" " " 6THK	540 LG	2-OFF
3	ANGLE " " 25X25X3THK	540 LG	2-OFF
4	ELECTRODES, M.S. 10 SWG	900	-



CUTTING PLAN OF ITEM 1
SCALE: 1:10

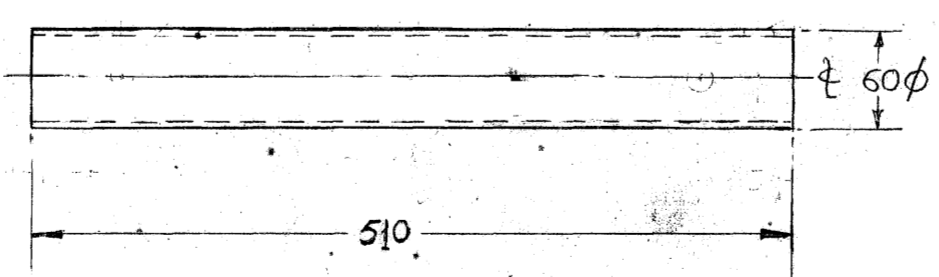


DETAIL OF ITEM 2
SCALE: 1:2

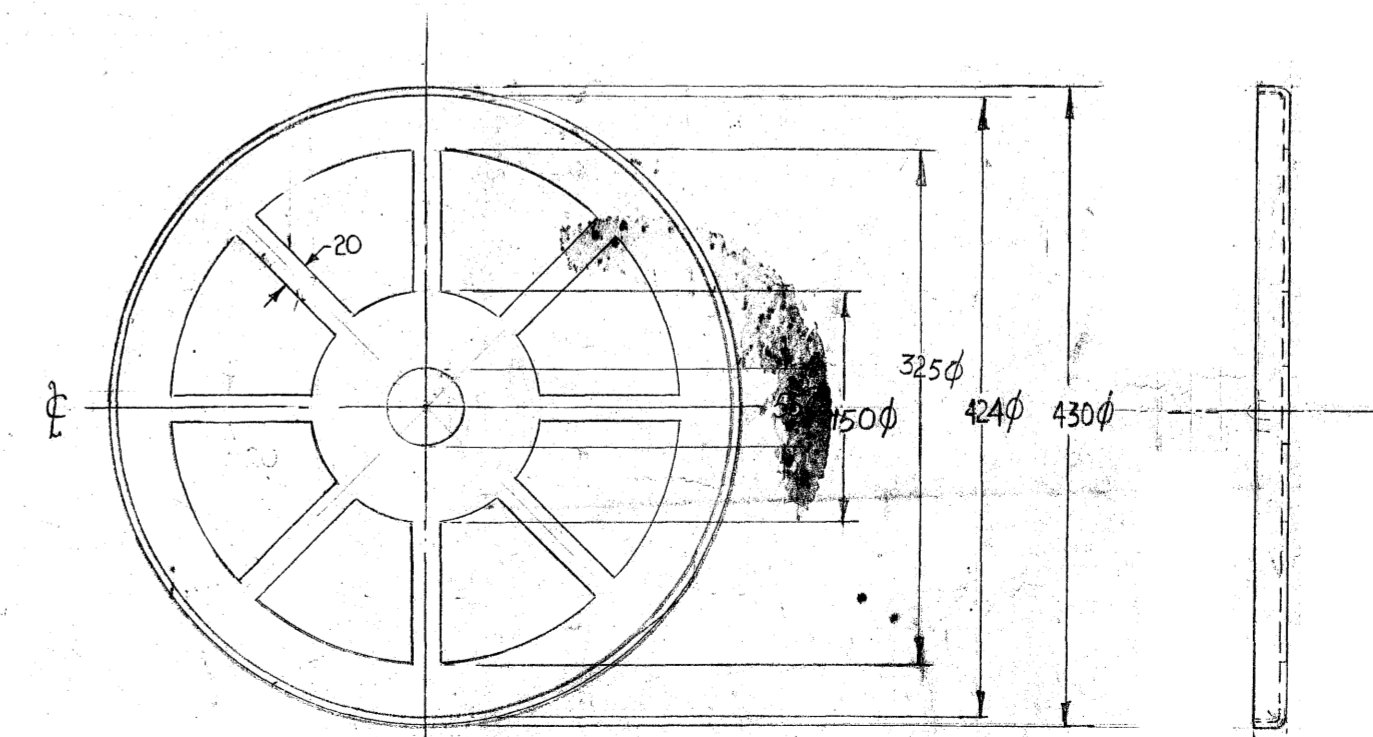


DRUM
SCALE: 1:5

ITEM NO	MATERIAL	SIZE	QTY	W
2/1	PIPE, MILD STEEL 60-0DX25THK	510 LG	1-OFF	11.6
2/2	ROUND, MILD STEEL 55φ	125 LG	2-OFF	2.7
2/3	PLATE, " " 3THK	475X475	2-OFF	10.6
2/4	ELECTRODES, M.S. 10 SWG	1280	-OFF	-



DETAIL OF ITEM 2/1
SCALE: 1:5



DETAIL OF ITEM 2/3
SCALE: 1:5

ESK-3035

ROPE DRUM ON PEDESTAL (ASSLY) AND DETAILS FOR K.M BRIDGE	
DRN. R. S. S.	R.D. (ENGRS) DRG. NO.
CKD. B. S. S.	ESK-3035
PSD. B. S. S.	SCALE: 1:2, 1:5, 1:10
DATE: / /	