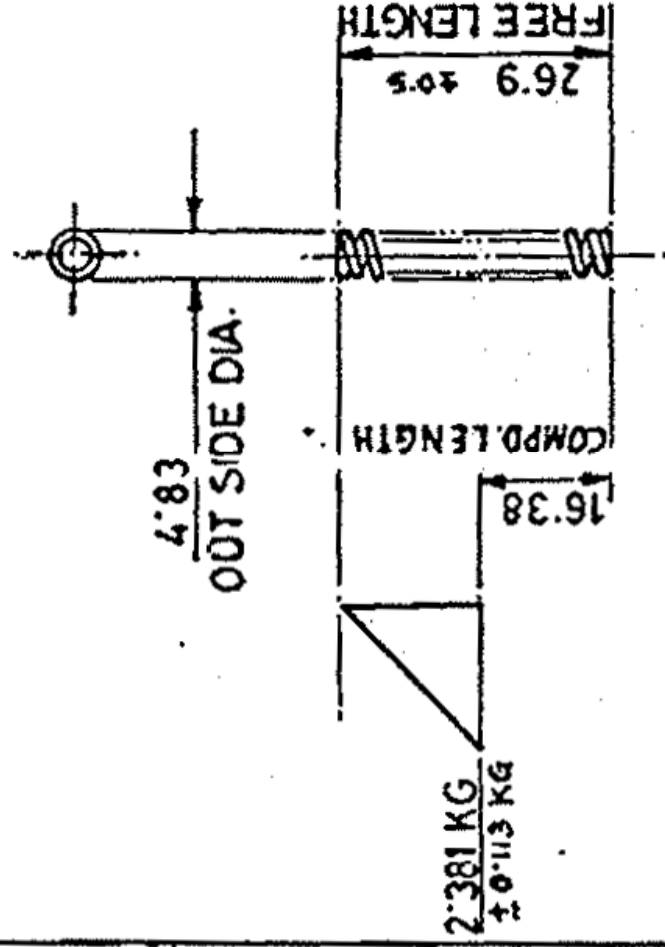


6E/000-09ES

ON FOR EXPLANATION SEE D.D. NOTE SHEET No. 3  
I/C; SQ DIMNS. ARE IN MM.NOTE

WHERE TOLERANCES ARE NOT SHOWN  
DIMENSIONS IN WHOLE NUMBER  $\pm 1.27$  mm.  
DIMENSIONS WITH ONE DECIMAL PLACE  
 $\pm 0.4$  mm.

DIMENSIONS WITH TWO DECIMAL  
PLACES  $\pm 0.13$  mm.

DIA. OF WIRE 0.710

NO. OF COILS 16

ONE COIL AT EACH END TO BE CLOSED  
IN GROUND SQUARE TO THE AXIS OF  
THE SPRING. WOUND R.H.

NOTE :

THE SPRING TO WORK FREELY IN ITS  
LOADED & UNLOADED CONDITION IN A  
HOLE OF 6.35 DIA. & OVER A ROD OF  
2.95 DIA.

CRAMP TEST :

THE SPRING TO BE COMPRESSED TO  
A LENGTH OF 16.38 FOR A PERIOD OF  
12 HOUR BEFORE GAUGING.

ICR 1232

METRIC

Ⓞ MATL. AMENDED AS PER Lr.No. CQA(SA) 31R/5/QA Dt.13.10.15 DA.No. 003/16 Dt.23.02.16

7.1.2000	2.4607.SA	PROFCRMA [CHANGED, 1005-004030 WAS CISA 291 SHT. 3 IN ASSY. COLUP'N, NEG. RE-TRACED & DRG RE - SEALED.	Amby C.D.	Mul D.R.
		PREVICJS DC. NO. 10945-SA, 11270-SA, 14393-SA, 14689-SA, 15564-SA, 17620-SA & 22650-SA.	copy	copy
DATE	AUTHY.	BRIEF RECORD.	ZONE	I/C; D.O. GO.
SEALED:-	D.C.No.10945-SA, DT. 26.7.71			SIGN.
DRN.	CHD.	TRD <i>Sanjay</i>	COMP. <i>Abraham</i>	AHSP: CQA(SA) ICHAPUR
SCALE :-	1:1	EST. MASS		ASSY. DS.CAT. NO.1005-001614 AND 1005-004030
DT. 07-1-2000	<i>Amby</i> I/C; D.O.	APPROVED. NEG.RE-TRACED.		
MATERIAL	SPRING STEEL DS: 5216:1975, ND3			
HT/HARDNESS	Ⓞ CR DS 5216:1975, ND3 IS:4454 Pt.1, 2001 GRADE 'DH'			
PROTECTIVE FINISH.	PHOSPHATE TO SPECN. JSS:0465-01-1988 CLASS II (ACCELERATED), OIL FINISH.			DGNR'S ARDE 657/267
NOMENCLATURE	SPRING TRIGGER			PART NO. DRG.NO.
				DS. CAT. NO. 5360-000739