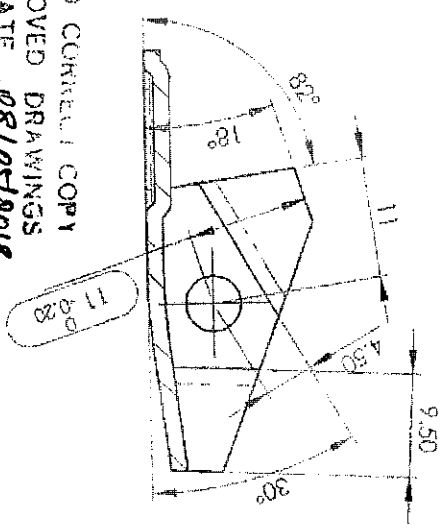


CERTIFIED CORRECT COPY
OF APPROVED DRAWINGS
AT THIS DATE **08/05/2018**



SECTION A-A

Design & Drawing Office
Ordnance Factory,
Tiruchirappalli-620018

Material : IS 1449 Part-1 1983 Gr. CS40 Sec-4
 (or) IS 1449 Part-1 1983 Gr. CS50 Sec-4
 (or) IS 1449 Part-1 1983 Gr. CS60 Sec-4
 (or) IS 1449 Part-1 1983 Gr. CS70 Sec-4
 (or) IS 1449 Part-1 1983 Gr. CS80 Sec-4

Hardness: 340-400 HV

Protective Finish :
 Phosphate to Specn. JSS:0465-01:1988
 Class-II, Oil Finish

AMENDMENTS & DATE		SIGNATURE & DATE	
SIG. DATE		APPROVED ON 08/05/2018	
TRACED		OFFICER/PRODN.	
DRAWN		DIV.OFFICER/D&DO	
CHECKED			
SUB: Catch Magazine		DRG. No.: TAR-K-1111	
FOR: Receiver Assy.		DES. REF. NO. K-1111	
OR: TRICHY ASSAULT RIFLE		Weight(g)	
SCALE NTS		9.35	
SHEETS: 1		SHEET No.: 1	

FT ORDNANCE FACTORY
TIRUCHIRAPPALLI-1