

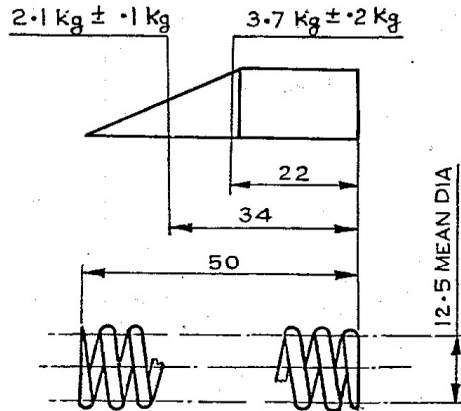
DS CAT No.

5360-040401

DRG CONVENTIONS CONFORM TO IS : 696
DIMENSIONS ARE IN mm UNLESS OTHERWISE STATED

TOLERANCES FOR UNTOLERANCED LINEAR DIMENSIONS

ABOVE	-	6	30	120	315	1000	2000	4000
UP TO	6	30	120	315	1000	2000	4000	-
TOLS	± 0.1	± 0.2	± 0.3	± 0.5	± 0.8	± 1.2	± 2	± 3



NOTE :- COMPRESSION TEST AS PER BS : 1726 Pt 1 100% FOR FIRST 20 SPRINGS & 10% FOR REMAINING PRODUCTION OR AS ORDERED BY AHSP. SPRINGS TO CONFORM TO BS : 1726 Pt 1 CATEGORY III CLASS 'B'

DIA OF WIRE1.25 mm
No OF EFFECTIVE COILS9.5
WOUND RH OR LH

ONE COIL AT EACH END TO BE CLOSED IN GROUND SQUARE WITH THE AXIS LEAVING 3/4 COIL NON EFFECTIVE AT EACH END.

24-5-08	19127-W	MATL., DS CAT No. & NOMEN. AMENDED,		
17-3-07		SCANNED & PRINTED WITHOUT CHANGE		
DATE	AUTHORITY	ZONE	AMENDMENTS	SIG. AHSP
PREV DC Nos:- 17827-W, 18825-W & 18844-W Dt. 03-01-04				
DRG SEALED:- 18844-W Dt. 03-01-04				

DRAWN:-	CHD:-	ASSY DRG:- 1015 - 003179
SCANNED:- RC	CHD:- <i>Sharma</i>	DATE:-
<i>Satish Kumar</i>	AHSP	SCALE:- 1 : 1
C/D/MAN	DO	FOR CQA(W) ESTD mass:-
MATERIAL:- IS : 4454 Pt I, 2001, Gde "SH" or "DH"		
PROTECTIVE FINISH:- TO BE PHOSPHATED TO SPEC JSS : 0465-01 : 1988, CLASS II. FINISH - (J)		
SPRING, HELICAL, COMPRESSION		
स्प्रिंग, हेलिकल, कम्प्रेशन		

CQA(W), JABALPUR	
DESIGN No.	ILG 127
PART No.	IFL 8075
DS CAT No.	5360-040401

DO CQA(W)