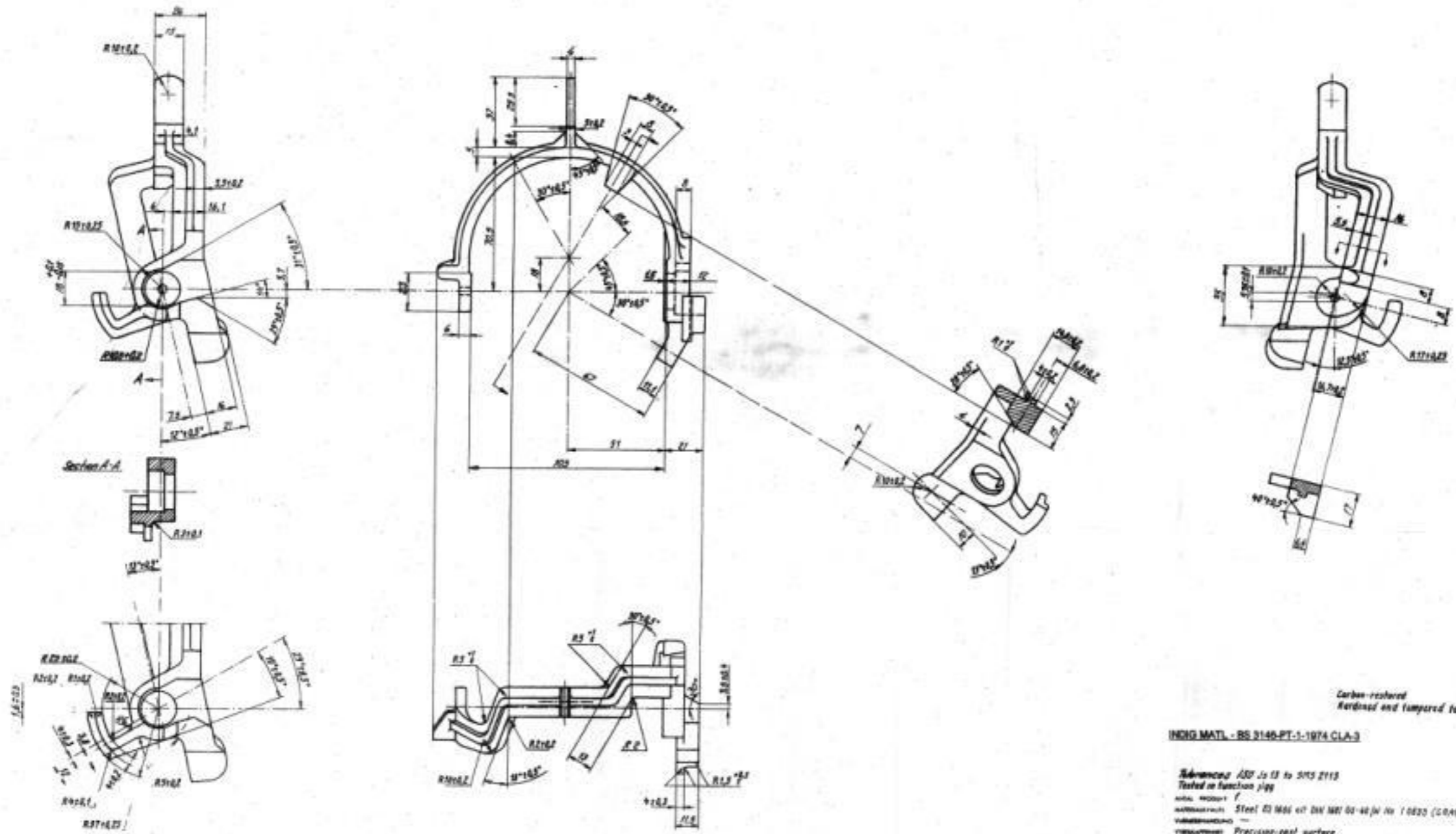


GF 215194 (E)



Height and dimensions shown in this view are "true" dimensions.

Carbon-restored
hardened and tempered to HRC 50 ± 1

INDIG MATL - BS 2146-PT-1-1974 CLA-3

Reference: JST 13 to SPS 2113
 Tested in function ygg
 MFG. MOUNT: F
 MATERIAL: Steel 52 1466 of DN MI 00-40/W No 10820 (GRADE 6.4%)
 FINISHING: Precision-cast surface
 TREATMENT: ---
 HARDENING: ---
 TEMPERING: ---
 REFERENCE: GF 1001 944 and F1583-900713

24-3-72	1024/W	DWG. SEALED		
27-6-71	1022/W	INDIG MATL & DOMESTIC PART BL. ADDED		
		SCANNED & PRINTED WITH CLT CHANGE		
DATE	AUTHORITY	AMENDMENTS		
DWS SEALED - 1024/W 27.06.72		SCANNED BY	CHECKED BY	P-03
C O A (W), JABALPUR				
INDIG MATL		Blank		
FORVARBETS FÄRDIGVÄR		CARL GUSTAFS STADS ÖFVARFAKTORI		IRCL 595 (GF 215194)