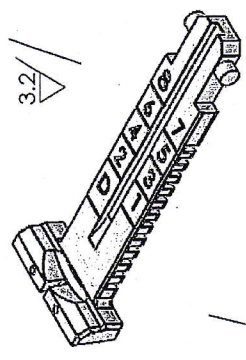
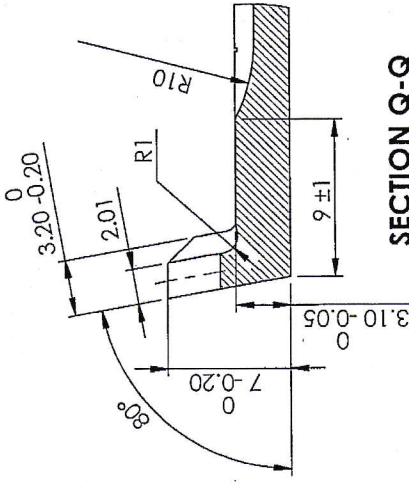
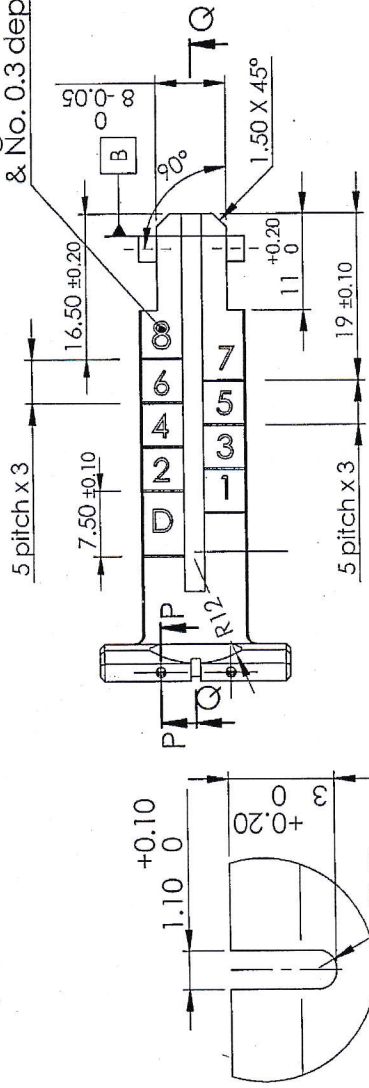


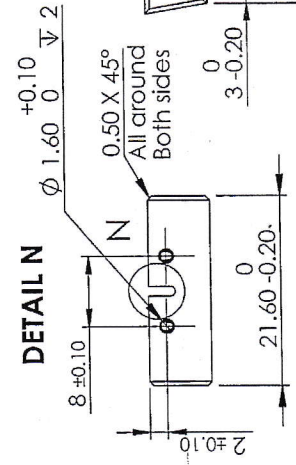
1 2 3 4 5 6



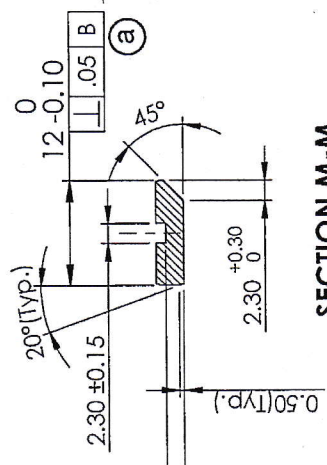
Engrave Line & No. 0.3 depth; 3 Height



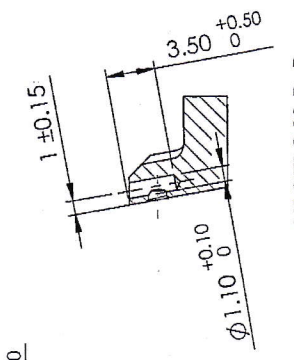
SECTION Q-Q



DETAIL N



SECTION M-M



SECTION P-P

Material: MIM S7

Hardness: 400-450 HV

Protective Finish: Black Oxide

Marking:
 * Manufacturer Code
 + Batch/Year of Manufacture
 Engraving Depth 0.1mm & Height 2.5mm

Untolerated Dimension IS:2102 Medium

UN CONTROLLED COPY
 CERTIFIED CORRECT COPY OF APPROVED
 DRAWINGS AT THIS DATE: 03.11.21
 DESIGN & DRAWING OFFICE,
 ORDNANCE FACTORY, TIRUCHIRAPPALLI - 620 016.

TRACED DRAWN CHECKED OIC/D&DO OFFICER/ PRDN. DIV. OFFICER/ D&DO	SIGNATURE & DATE:	SUB: Rear Sight Leaf (TFS) FOR: Receiver Assy OF: TRICHY ASSAULT RIFLE DES. REF. NO: K-2121 DRG. No.: MIM-K-2121-00	SCALE NTS
	 		QPG 1 Weight (g) 15.50
AMENDMENTS & DATE	APPROVED ON:	ORDNANCE FACTORY TIRUCHIRAPPALLI-16.	SHEETS: 1 SHEET No.: 1