

67910-0485

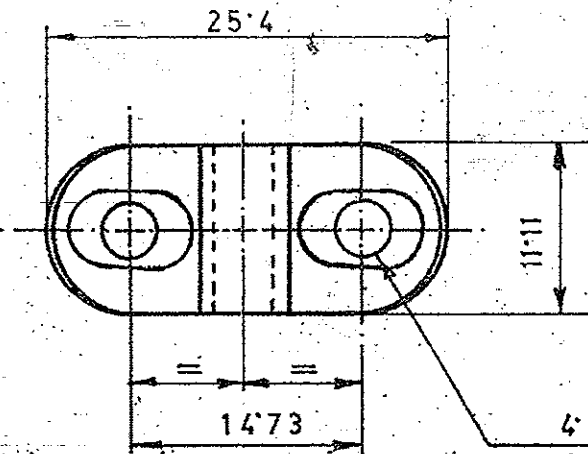
D.S.CAT.NO.

DIMNS. ARE IN mm.

FOR EXPLANATION OF DETAILS WHEREVER NOT SPECIFIED REFER D.D.NOTE. SHEET. NO.3.(LATEST ISSUE)

CERTIFIED CORRECT COPY OF APPROVED DRAWINGS AT THIS DATE 3.11.17

Design & Drawing Office  
Ordnance Factory,  
Tiruchireppalli-620018.



UN CONTROLLED COPY

4.57 Ø HOLES DRILLED  
+0.13 AND C'SK AT 90°

ICR 12/12 METRIC

28-12-2004	26027-SA	PROFORMA CHANGED, TOL. NOTE & PROTECTIVE FINISH AMENDED, NEG. RE-TRACED AND DRG. RE-SEALED.				
		PREVIOUS D.C. NOS. 11237-SA, 11270-SA, 16355-SA, 20986-SA, 22676-SA AND 23398-SA			COPY	COPY
DATE	AUTHY.	BRIEF RECORD	ZONE	I/C:D.O.	G.O.	SIGN.
SEALED: - D.C. NO. 11237-SA, DT. 17.4.72						
DRN.	CHD.	TRD. <i>AS</i>	COMP. <i>Asst. Insp.</i>	AHSP CQA(SA), CHAPUR		
SCALE: -2:1		EST. MASS: -		ASSY. 1005-001594, 1005-001595, 1005-001596, 1005-004057, 1005-004025, 1005-004059		
DT. 28-12-2004	<i>Asst. Insp.</i> I/C:D.O.	APPROVED DT. 19.6.67 (NEG. RE-TRACED)				
MATERIAL: - STEEL BS 1449 Pt.1:1983 SEC-4 Gd. CS-4 CONDITION ANNEALED				DGNR'S REF. ARDE 657/32		
H.T./HARDNESS: -				PART NO.		
PROTECTIVE FINISH: - PHOSPHATE TO SPECN. JSS. 0465-01:1994 CLASS-I, SPIRIT STAIN BLACK OIL FINISH.				DRG. NO.		
NOMENCLATURE: - BRACKET SLING				D.S. CAT. NO. 5340-015297		