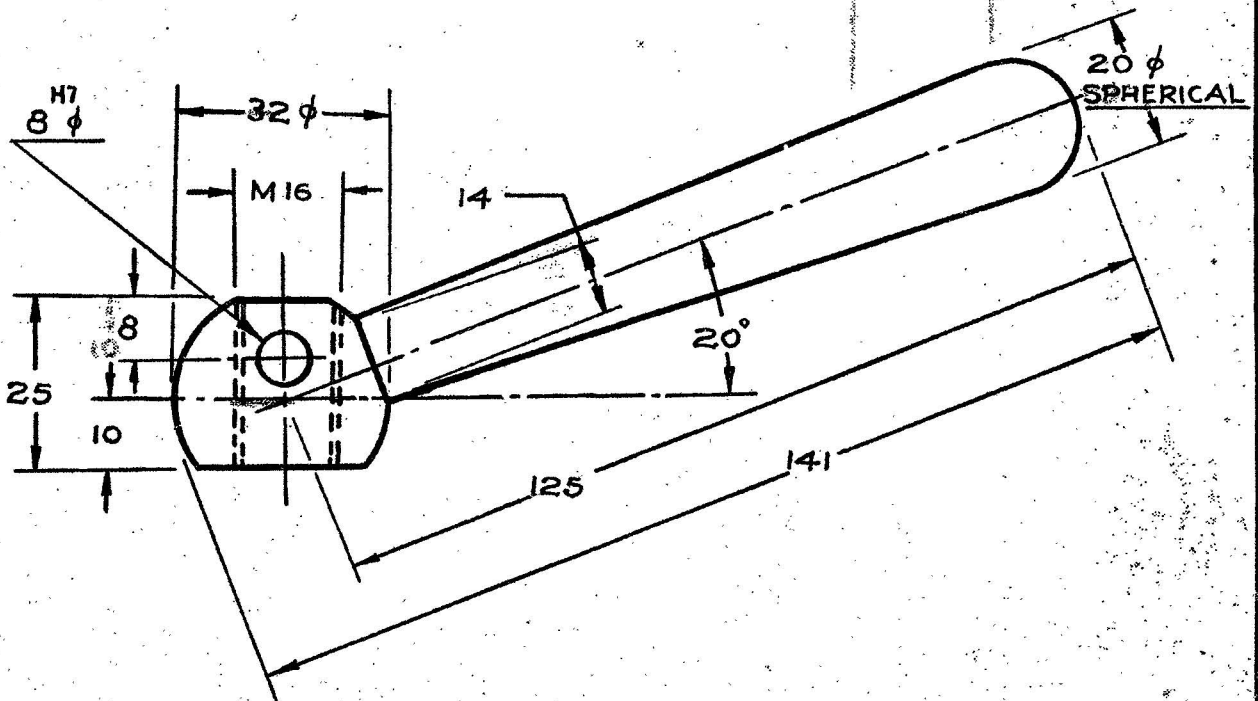


ISK-0439

AMENDMENT

DC (I)

NATURE



CONE HANDLE

E 20 X M16 DIN 99

GERMAN MATL. AND SPECN.	ALTERNATIVE MATL. AND SPECN.
ST - 37 - 12	BS-15 GDE - I QUALITY OR IS - 226 - ST-42S

NOTE :—

- 1) - ALL DIMNS. ARE IN MM.
- 2) - GALVANISED AND CHROMATIZED
TO 20-30 μ

PERTAINS TO - DRG. NO. - 23718
PART NO - 7

DRN. - W	TCD. - W	C. I. E. DRG. NO.
CKD. - <i>[Signature]</i>		ISK-0439
PSD. - X	APPD.	
DATE - 18-6-71		SCALE - FULL SIZE