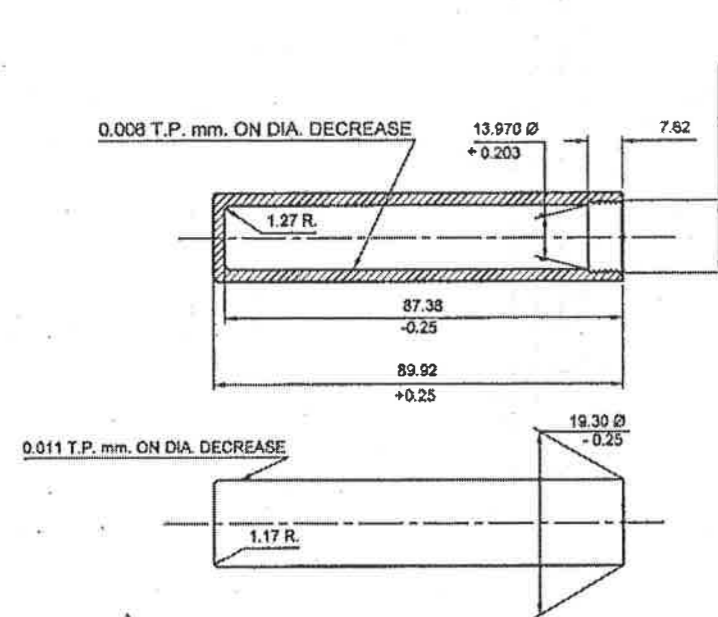


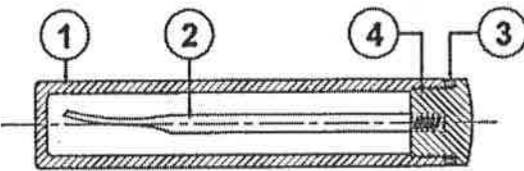
D.S.CAT. 1005-000324; 4930-000797
1005-000327; 5310-002656
No.

DRAWING CONVENTION CONFORM TO JSG:0104
DIMNS ARE IN mm. GEN. TOL. 'MEDIUM' IS:2102

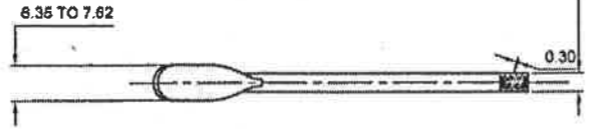


1 BODY - 1005-000324

MATERIAL:- PHENOLIC MOULDING MATERIALS TO SPECN. BS 771 PT. 1:1980 Gr & TYPE PF 2A1.
ALT. MATERIAL:- PHENOLIC MOULDING MATERIAL Gr. 3 TO SPECN. IS:1300:1968 OR POLYSTYRENE MOULDING MATERIAL TYPE 3 TO SPECN. IS:2267-1972.
COLOUR:- BLACK OR BROWN.



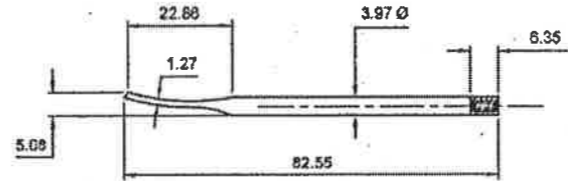
0.625" Ø 20 T.P. 25.4 mm. SINGLE START THREAD WHIT FORM 0° - 15° SINGLE TAPER



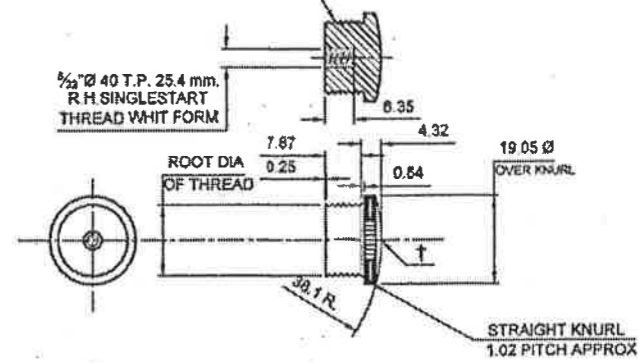
2 SPOON - 1005-000326

MATERIAL:- PHENOLIC MOULDING MATERIALS TO SPECN. BS 771 PT. 1:1980 Gr & TYPE PF 2A1.
ALT. MATERIAL:- PHENOLIC MOULDING MATERIAL Gr. 3 TO SPECN. IS:1300:1968 OR POLYSTYRENE MOULDING MATERIAL TYPE 3 TO SPECN. IS:2267-1972.
COLOUR:- BLACK OR BROWN.
NOTE :- ALTERNATIVELY THE SPOON MAY BE MOULDED WITH STOPPER AS ONE UNIT. AS ALTERNATIVE MATERIAL MS TINNED MAY BE USED.

1/2" Ø 40 T.P. 25.4 mm. R.H. SINGLE START THREAD WHIT FORM

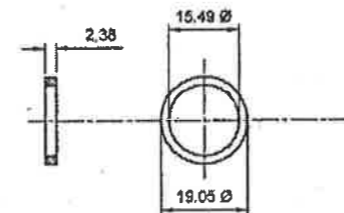


0.620" Ø 20 T.P. 25.4 mm. R.H. SINGLE START THREAD WHIT FORM 0° - 15° SINGLE TAPER



4 STOPPER - 1005-000327

STOPPER ASSY :- 1005-000325
COMPRISING :- SPOON :- 1005-000326
STOPPER :- 1005-000327
MATERIAL:- PHENOLIC MOULDING MATERIALS TO SPECN. BS 771 PT. 1:1980 Gr & TYPE PF 2A1.
ALT. MATERIAL:- PHENOLIC MOULDING MATERIAL Gr. 3 TO SPECN. IS:1300:1968 OR POLYSTYRENE MOULDING MATERIAL TYPE 3 TO SPECN. IS:2267-1972.
COLOUR:- BLACK OR BROWN.



3 WASHER - 5310-002656

MATERIAL :- LEATHER COW, CURRIED TO SPECN. IS:590-1973 OR PHENOLIC MOLDING MATL. TO SPECN. BS 771 PT. 1:1980 GR & TYPE PF 2A1 OR PHENOLIC MOULDING MATL. GR 3 TO SPECN. IS:1300:1968.
COLOUR :- BLACK OR BROWN.
NOTE :- TO GOVERN MANUFACTURE AND INSPECTION REFER CQA(SA) SPECN NO. CISA/163 OF LATEST ISSUE.

METRIC

DRN. 228423-CHD.		TRD.	COMP.	AHSP. CQA(SA), ICHAPUR
SCALE :- 1:1		EST. MASS	DT.	ASSY.
DT.		I/C.DO.		DGNR'S. REF. ISA - 669
16-6-08 25423-SH D.S.CAT. NO. AMENDED.		MATERIAL :- AS ABOVE		PART No.
PREVIOUS DC NO. 22689-SA, 22783-SA, 23296-SA AND 28135-SA		H.T./HARDNESS :- AS ABOVE		DRG. No.
DATE AUTHY.	BRIEF RECORD	ZONE	I/C.DO.	G.O.
SEALED :- DC 11782-SA, DATE 5-7-73		SIGN.		D.S.CAT. 1005-000323; 4930-000797
NOMENCLATURE :-		BOTTLE, OIL, MK V		1005-000324; 1005-000326
		PROTECTIVE FINISH :-		1005-000327; 5310-002656