

270918  
 OPTO ELECTRONICS  
 FOR TRADE ONLY

COMPT. No.		ASSY. DRG.		OPTO ELECTRONICS FACTORY DEHRADUN	
2007		RED DOT SIGHT		TITLE	
GEN. TOL. IS 2102-10 (PT-1)		17-4		DOUBLE SIDED	
DRAWN	ASV	17-4		P.C.B. ASSY.	
CHECKED	J.P. GILL	17-4		REF.	
HOS	J.P. GILL	DATE		M	
AWM/ R&D		NAME		DRG.No.OLF/R&D/RDS/001.05.010	
APPROVED		M/Yr.		SCALE: 6:1	
		4-2007		SHTS. 18 SHE. No. 15	
AMENDMENTS		DESCRIPTION			
DT./SIGN					

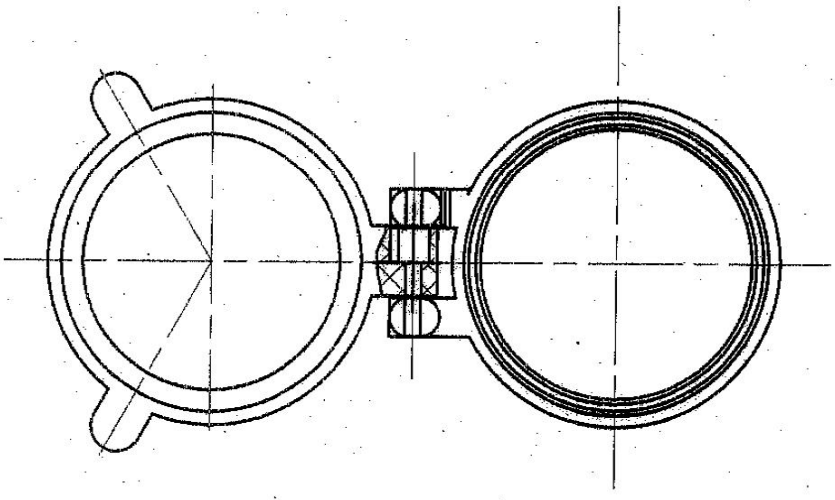
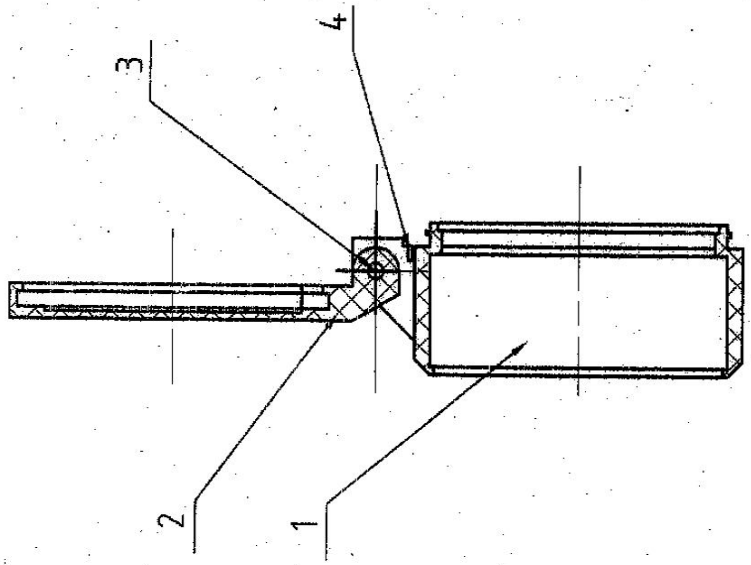
ITEM NO	NOMENCLATURE	DRGNO.	QTY.	MATERIAL	SHEET SIZE
	COVER ASSY (FRONT)	OLF/R&D/RDS/001.02			A4
	COMPONENTS				
1	HOLDER	OLF/R&D/RDS/001.02.01	1	SYNTHETIC RUBBER NITRILE BLACK BA-3 RHD 51-60- TO BS 2751-56.	A3
2	COVER	OLF/R&D/RDS/001.02.02	1	SYNTHETIC RUBBER NITRILE BLACK BA-3 RHD 51-60- TO BS 2751-56	A4
3	COLLER PIN	OLF/R&D/RDS/001.02.03	02	ST. STEEL IS 6603 :2001 Gr X 20 Cr 13	A4
4	TORSION SPRING	OLF/R&D/RDS/001.02.04	02	X 07 Cr 18 Ni 9 IS 5544 (Pt-4) :2001	A4

270918

एलफा इग  
FOR TRADE ONLY

COMPT. No.		ASSY. DRG.	OPTO ELECTRONICS FACTORY DEHRADUN	
2007	GEN. TOL. IS 2702-m (Pt.-1)	RED DOT SIGHT	TITLE COVER ASSY. (FRONT)	
DRAWN	<i>A42</i>	16/4	REF. M	
CHECKED	<i>P. D. S. S.</i>	16.4	DRG.No. OLF/R&D/RDS/001.02	
HOS	<i>P. D. S. S.</i>	16.4	SCALE: 1:1	
	NAME	DATE	SHTS. 06 SHT. No. 01	
AWM/ R&D	<i>NS</i>	M/Yr. 4/07		
AMENDMENTS		APPROVED		

MATERIAL: — TREATMENT: —  
 SURFACE FINISH: PROTECTIVE FINISH: —



270918

ऑप्टिकल इंजीनियरिंग  
 FOR TRADE ONLY

COMPT. No.		ASSY. DRG.		OPTO ELECTRONICS FACTORY DEHRADUN	
2007	GEN. TOL. IS 2102-m (Pt.-1)	RED DOT SIGHT		TITLE	
DRAWN	AW	16/4	COVER ASSY. (FRONT)		
CHECKED	GS	16.4.	REF.		
HOS	GS	16.4.	DRG.No.OLF/R&D/RDS/001.02		
AWM/ R&D	NAME	DATE	SCALE: 1:1		
	AW	4/07	SHTS. 06		
AMENDMENTS		APPROVED		SHT. No. 02	

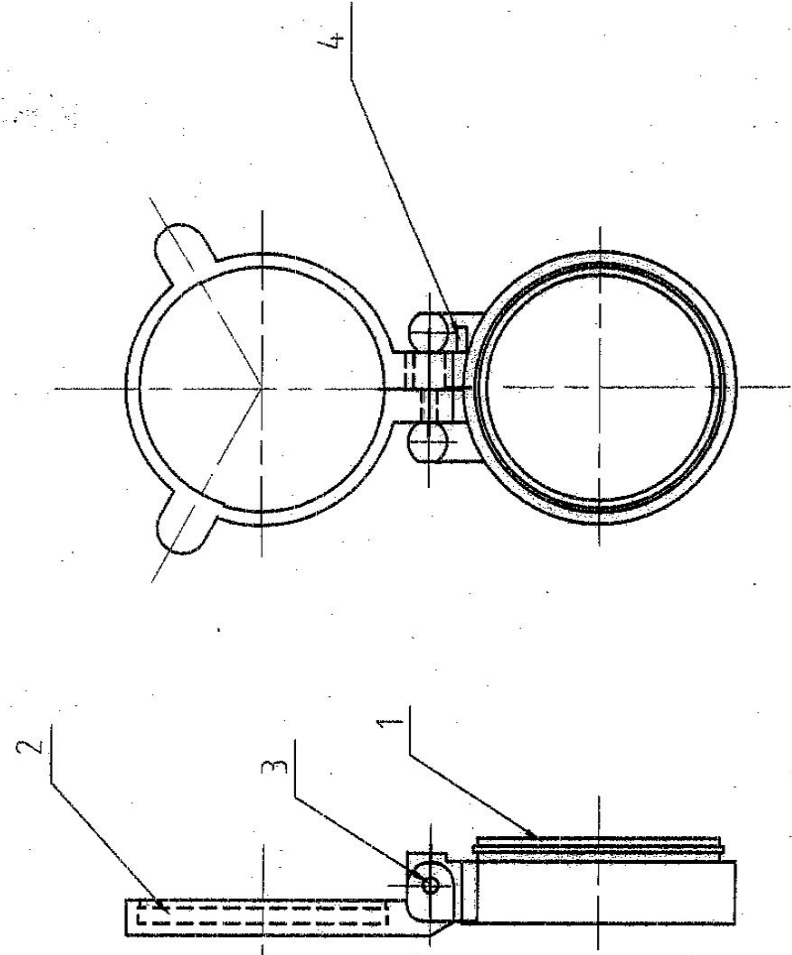
ITEM NO	NOMENCLATURE	DRG.NO	QTY.	MATERIAL	SHEET SIZE
	COVER ASSY (REAR)	OLF/R&D/RDS/001.03			
	COMPONENTS				
1	HOLDER	OLF/R&D/RDS/001.03.01	1	SYNTHETIC RUBBER NITRILE BLACK BA-3 RHD 51-60 TO BS 2751-56	A4
2	COVER	OLF/R&D/RDS/001.03.02	1	SYNTHETIC RUBBER NITRILE BLACK BA-3 RHD 51-60 TO BS 2751-56	A4
3	COILER PIN	OLF/R&D/RDS/001.02.03	1	ST.STEEL IS 6603 : 2001 Gr X 20 Cr 13	A4
4	TORSION SPRING	OLF/R&D/RDS/001.02.04	1	X 07 Cr 18 Ni 9 IS 5544 (Pt-4) :2001	A4

270918

ऑप्टो इलेक्ट्रॉनिक्स  
FOR TRADE ONLY

D.A.No.		DT./SIGN	DESCRIPTION
<b>AMENDMENTS</b>			
AWM/ R&D	NAME	M/Yr.	DATE
		4/07	16.4.
HOS			16.4.
CHECKED			16.4
DRAWN			16.4
2007	GEN. TOL. IS 2102-m (Pt.-1)		RED DOT SIGHT
COMPT. No.	ASSY. DRG.	TITLE	
		OPTO ELECTRONICS FACTORY DEHRADUN	
		COVER ASSY. (REAR)	
		REF. M	
		DRG.No.OLF/R&D/RDS/001.03	
		SCALE: 1:1	
		SHTS. 04 SHT. No. 01	

MATERIAL: — TREATMENT: —  
 SURFACE FINISH: — PROTECTIVE FINISH: —



270918  
 आभार है  
 FOR TRADE ONLY

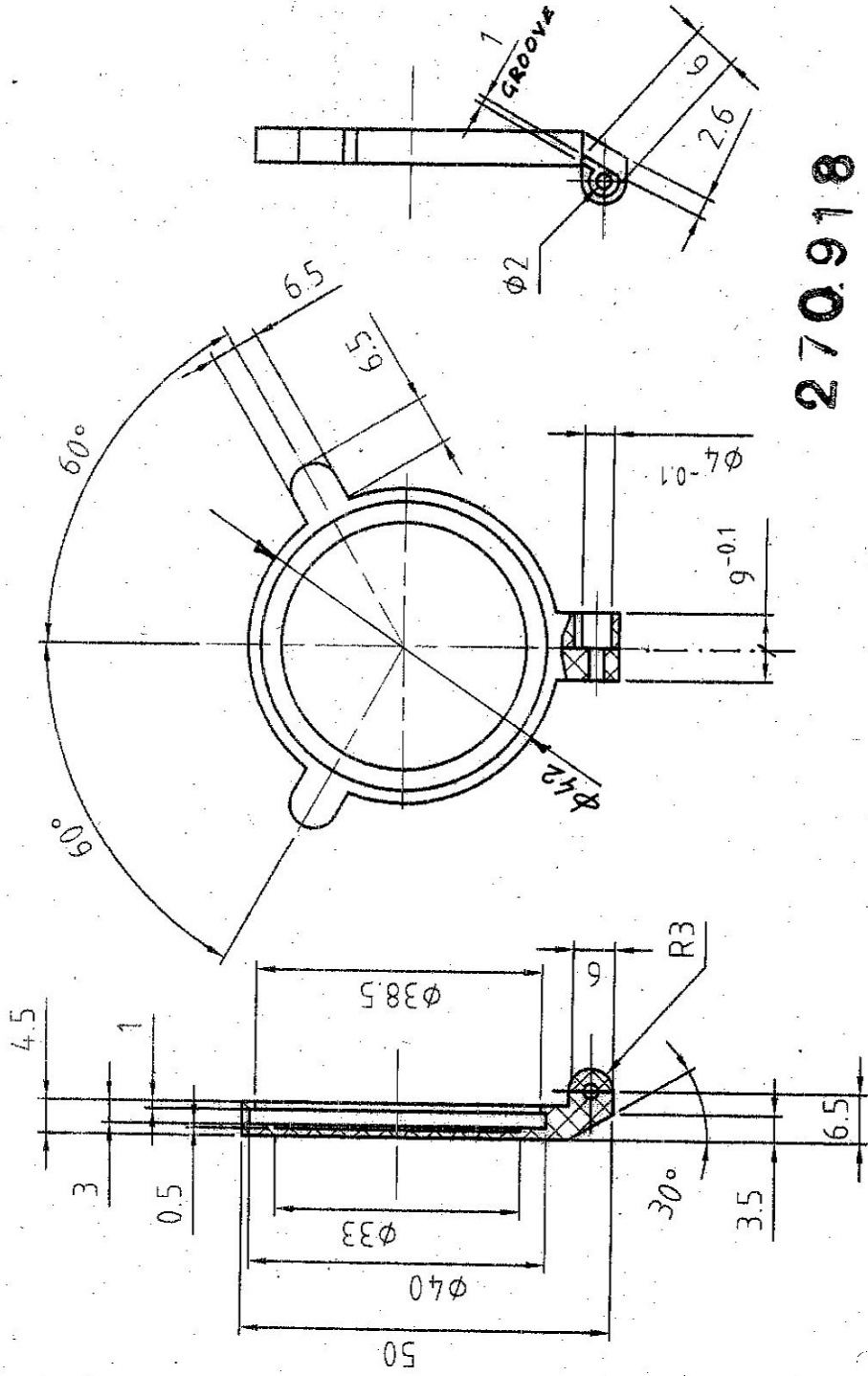
COMPT. No.		ASSY. DRG.		OPTO ELECTRONICS FACTORY DEHRADUN	
2007	GEN. TOL. IS 2102-m (PT.-1)	RED DOT SIGHT		TITLE	
DRAWN	<i>Asy</i>	16/4	COVER ASSY. (REAR)		
CHECKED	<i>31/10/04</i>	16-4	REF.		
HOS	<i>31/10/04</i>	16-4	M		
	NAME	DATE	DRG.No. OLF/R&D/RDS/001.03		
AWM/ R&D	<i>Asy</i>	M/Yr.	SCALE: 1:1		
	APPROVED	4/10	SHTS. 04 SHT. No. 02		
D.A.No.	DT./SIGN	DESCRIPTION	AMENDMENTS		

MATERIAL: - SYNTHETIC RUBBER NITRILE BLACK  
 BA-3 RID 51-60 TO BS: 2751-56

TREATMENT

SURFACE FINISH: VV

PROTECTIVE FINISH



270.918

ऑप्टिकर हेतु  
 FOR TRADE ONLY

QTY:-01

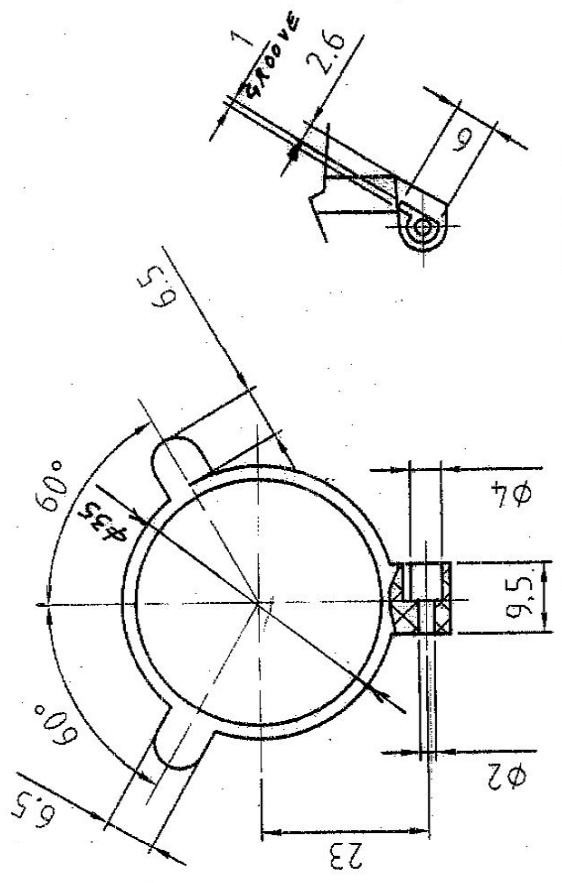
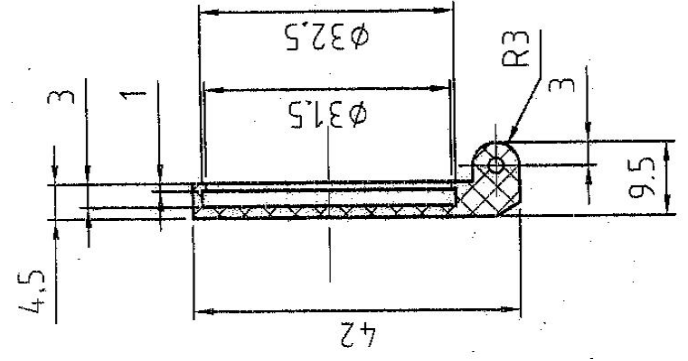
ITEM	DESCRIPTION	No. OFF	MATERIAL	REMARKS
LIST OF PARTS				
COMPT. No.	ASSY. DRG.	TITLE		
2007	RED DOT SIGHT	OPTO ELECTRONICS FACTORY DEHRADUN		
DRAWN	GEN. TOL. IS 2102-m (Pt.-1)	COVER		
CHECKED	16/4	REF.		
HOS	16-4	M		
AWM/R&D	16-4	DRG.No. OLF/R&D/RDS/001.02.02		
APPROVED		SCALE: 1:1		
AMENDMENTS		SHTS. 06 SHT. No. 04		

MATERIAL: SYNTHETIC RUBBER NITRILE BLACK  
BA-3 RHD 51-60 TO BS: 2751-56

TREATMENT -

SURFACE FINISH: VV

PROTECTIVE FINISH :-



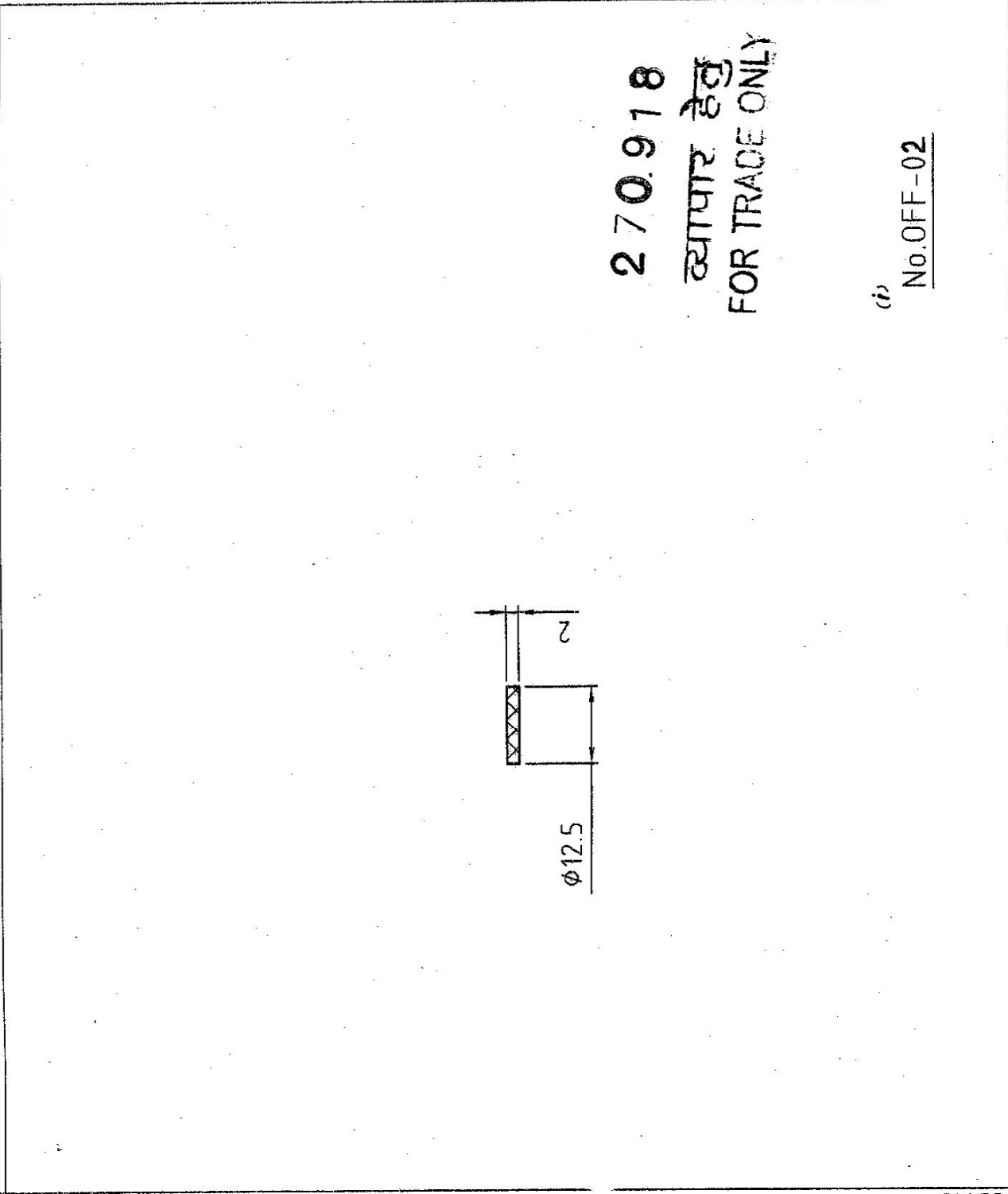
270918  
ऑप्टिक हेतु  
FOR TRADE ONLY

No.OFF-01

ITEM	DESCRIPTION	No. OFF	MATERIAL	REMARKS
LIST OF PARTS				
COMPT. No.	ASSY. DRG.	TITLE		
	RED DOT SIGHT	COVER		
2007	GEN. TOL. IS 2102-m (PT.-1)	SCALE: 1:1		
DRAWN	AKM 16/4	SHTS. 04		
CHECKED	Opt. DWG 16-4	SHT. No. 04		
HOS	Opt. DWG 16-4	M		
	NAME	REF.		
	DATE	DRG.No. OLF/R&D/RDS/001.03.02		
AWM/R&D	M/YR.	SCALE: 1:1		
	4/10	SHTS. 04		
APPROVED				
AMENDMENTS				
D.A.No.	DT./SIGN	DESCRIPTION		



RUBBER COMPOUND VUL CANIZED  
 MATERIAL - 1 BUTADIENE GR 30R2 IS 2751:82  
 TREATMENT -  
 PROTECTIVE FINISH -



270918  
 आभार है  
 FOR TRADE ONLY

(i) No.OFF-02

OLD NO.035005

ITEM	DESCRIPTION	No. OFF	MATERIAL	REMARKS
LIST OF PARTS				
COMPT. No.	ASSY. DRG.	TITLE		
2007	RED DOT SIGHT	OPTO ELECTRONICS FACTORY DEHRADUN		
DRAWN	GEN. TOL. IS 2102-m (Pt. -1) A/S 16-4	DISC (RUBBER)		
CHECKED	G/S 16-4	REF. M 1.		
HOS	G/S 16-4	DRG.No. OLF/R&D/RDS/001.04.08		
AWM/R&D	NAME A/S	DATE 4/107	SCALE 1:1	SHT. No. 07
APPROVED				
D.O. DA/95/15		AMENDMENTS		
D.A.No.		DESCRIPTION		
24/7/15		OPS AMENDED		
DT./SIGN		DESCRIPTION		
24/7/15		OPS AMENDED		

(i)



TREATMENT :  
HARDNESS:

PROTECTIVE FINISH:

MATERIAL:

SURFACE FINISH:

SL.No.	NOMENCLATURE	DRAWING No.	QPS	MATERIAL
	DOUBLE SIDED PCB (3.5mmDIA) ASSY.	OLF/R&D/RDS/001.05.010	01	
	<b>PARTS</b>			
01.	SMD RESISTANCE 68K	RS STOCK No.223-2502	01	
02.	SMD RESISTANCE 33K	RS STOCK No.223-2451	01	
03.	SMD RESISTANCE 15K	RS STOCK No.223-2417	01	
04.	SMD RESISTANCE 8K2	RS STOCK No.223-2388	01	
05.	SMD RESISTANCE 3K9	RS STOCK No.223-2344	01	
06.	SMD RESISTANCE 1K8	RS STOCK No.223-2293	01	
07.	SMD RESISTANCE 1K	RS STOCK No.223-2265	01	
08.	SMD RESISTANCE 470E	RS STOCK No.223-2215	01	

270918

ऑप्टिक हेतु  
FOR TRADE ONLY

OPTO ELECTRONICS FACTORY  
DEHRADUN

DOUBLE  
SIDED P.C.B. ASSY.

TITLE

REF.

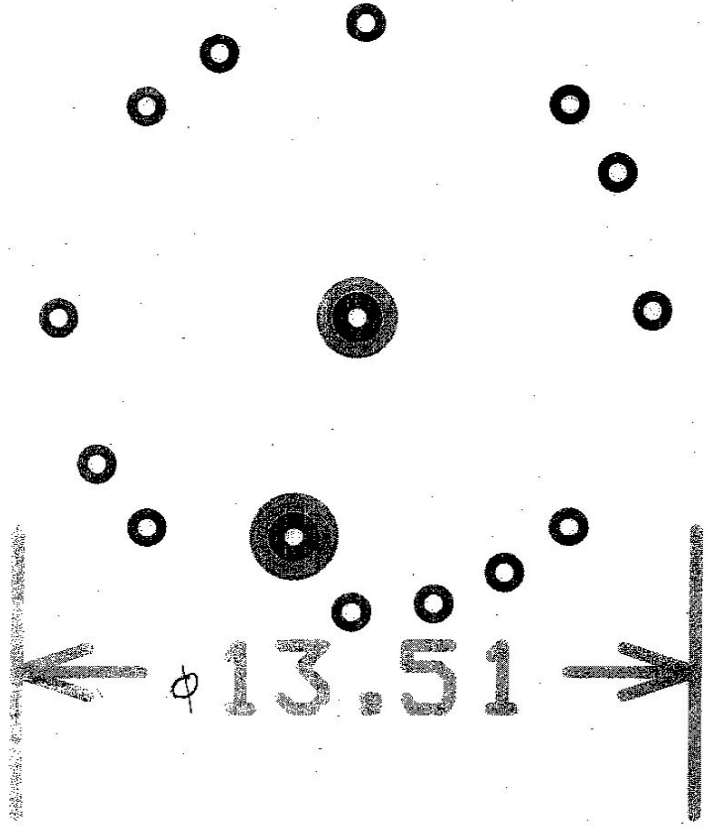
M

DRG.No.OLF/R&D/RDS/001.05.010

COMPT. No.	ASSY. DRG.	RED DOT SIGHT
2007	GEN. TOL. IS 2102-m (Pt. -1)	
DRAWN	NAME	DATE
CHECKED	NAME	DATE
HOS	NAME	DATE
AWM/R&D	NAME	DATE

SCALE:	SH/S	18	SHT. N.	13

AMENDMENTS



270918

ऑप्टर हेतु  
FOR TRADE ONLY

COMPT. No.		ASSY. DRG.		OPTO ELECTRONICS FACTORY DEHRADUN	
2007		RED DOT SIGHT		TITLE	
DRAWN		GEN. TOL. IS 2102-m (PT.-I)		DOUBLE SIDED P.C.B. ASSY.	
CHECKED		17-4		REF.	
HOS		17-4		M	
AWM/ R&D		NAME		DRG.No.OLF/R&D/RDS/001.05.010	
DATE		M/Yr.		SCALE: 6:1	
1-2-07		APPROVED		SHTS. 18	
AMENDMENTS		SHT. No.		14	