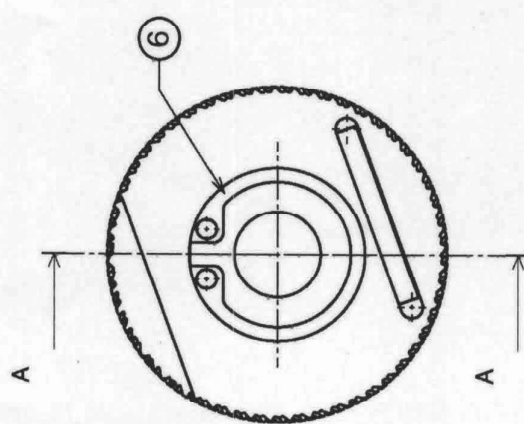
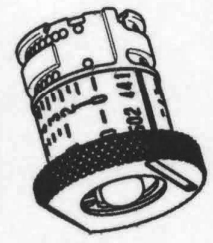


Section view A-A



Exploded view



Isometric view

FOR TRADE COPY
Date of Issue 16/10/67
Rajm

PART NO.	DESCRIPTION	NO.	DRG. NO.
8	LUBRICATING GREASE 138 TUBE	-	MCT-3486 COA(1)792/47
7	O-RING 18.1 x 1.6 - NBR 70	1	MCT-3485 COA(1)792/46
6	CIRCLIP 18x1 SGH 18 SS 1582	1	MCT-3484 COA(1)792/45
5	COMPRESSION SPRING 557	1	MCT-2304/1 COA(1)792/4
4	BALL RB-3 RS d3	3	MCT-3483 COA(1)792/44
3	LOCKING SLEEVE 557	1	MCT-2303/1 COA(1)792/5
2	RETAINING KNOB 557	1	MCT-2308 COA(1)792/6
1	KNOB & SCALE PLATE 502-441	1	MCT-3488 COA(1)792/5A-12
		NO.	DRG. NO.
		OFF.	

SCHEDULE OF PARTS

DT. 03.11.18	SCALE: NTS
MATL.	FINISH
---	---
SHEETS: 1	SHEET NO. 1
DRAWING NO.	
MCT-3487	
AMENDMENTS	
OFD/00/002	

TELESCOPIC SIGHT ASSY. 557 B14

KNOB 502 + 441 ASSY.

DR. P.C.SINGH	DRG. NO
TR.	COA(1)792/A-6
CH.	
APPROVED	
(Kuldeep Saini)	(S.Bhaskar)
JWM/D.O.	AWM/EO

ORDNANCE FACTORY
DEHRADUN

(1) ALL DIMENSIONS ARE IN MILLIMETERS.
(2) FIRST ANGLE PROJECTION

TELESCOPIC SIGHT ASSY. 557 B 14
LUBRICATING GREASE 138 TUBE

DRG. No.-

CQA(I)-792/47

MCT-3486

ORDNANCE FACTORY, DEHRADUN.

Synthetic grease that meets the requirements of
 Swedish defence standard FSD 8203

Type approved products:

Aero Shell Grease 22
 Gulf 718 EP Synthetic Grease
 Mobil Grease 28

FOR TRADE USE
 Date of Issue 16/06/21
Agree

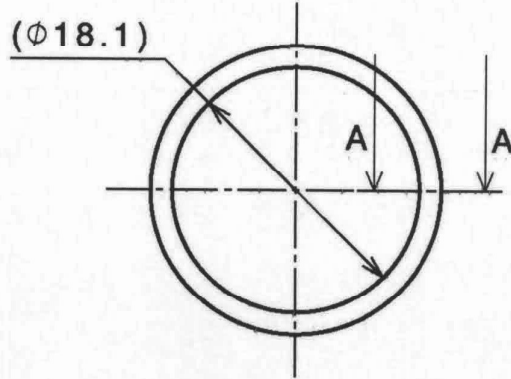
		DT.-03.11.2018	SCALE-N.T.S.
	DR.- R.K.SHARMA	MATL. AS ABOVE	FINISH AS ABOVE
	TR.-		
	CH.	SHTS.-	SHT. NO.-
	<u>APPROVED.</u>	<u>DRAWING No.-</u> <u>MCT-3486</u>	
AMENDMENTS.	<i>[Signature]</i>		
OFD/DO/002	(K. SAINI) JWM/DO.		

TELESCOPIC SIGHT ASSY. 557 B 14
Q-RING 18.1×1.6-NBR 70

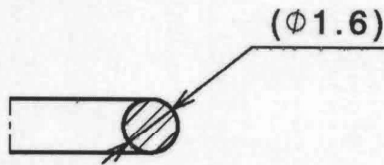
DRG. No.-

CQA(I)-792/46

MCT-3485



Section view A-A



According to SS 1586

FOR TRADE USE
 Date of Issue 16/06/24
[Signature]

NOTE :-

1. FORM & POSITION TOLERANCES ACCORDING TO ISO:1101.

MATL. :- NBR 70 ACCORDING TO SS 1587.

(1) ALL DIMENSIONS ARE IN MILIMETERS.
 (2) FIRST ANGLE PROJECTION.

DT.-03.11.2018 SCALE-N.T.S.

	DR.- R.K.SHARMA	MATL. AS ABOVE	FINISH AS ABOVE
	TR.-	SHTS.-	SHT. NO.-
	CH.	DRAWING No.- MCT-3485	
AMENDMENTS.	APPROVED.		
OFD/DO/002	(K. SAHNI) JWM/DO. <i>[Signature]</i> (S. BHASKAR) AWM/EO. <i>[Signature]</i>		

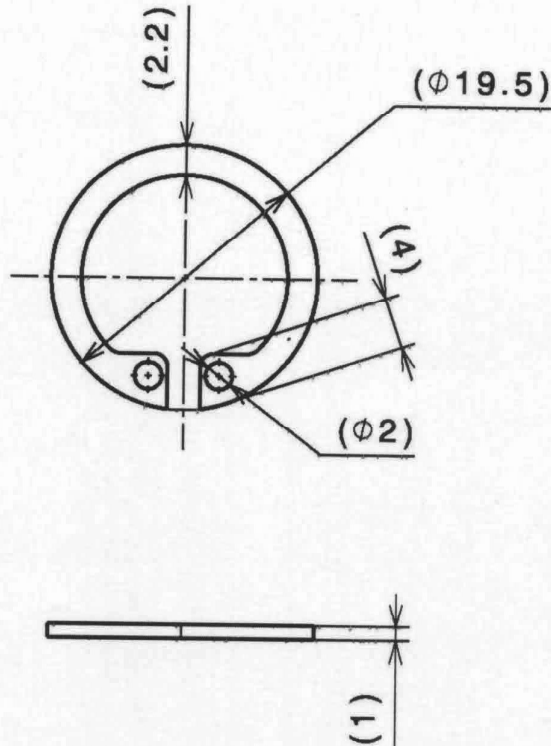
ORDNANCE FACTORY, DEHRADUN.

TELESCOPIC SIGHT ASSY. 557 B 14
CIRCLIP 18×1 SGH 18 SS 1582

DRG. No.-

CQA(I)-792/45

MCT-3484



FOR TRADE USE
 Date of Issue 16/06/21
[Signature]

MATL. :- According to SS 1582 or DIN 472 (SGH 18)

(1) ALL DIMENSIONS ARE IN MILLIMETERS.
 (2) FIRST ANGLE PROJECTION.

		DT.-03.11.2018	SCALE-N.T.S.
		DR.- R.K.SHARMA	MATL. AS ABOVE
		TR.-	FINISH AS ABOVE
		CH.	SHTS.-
			SHT. NO.-
AMENDMENTS.		APPROVED.	DRAWING No.- MCT-3484
OFD/DO/002		(K. SAINI) JWM/DO.	
		(S. BHASKAR) AWM/EO.	

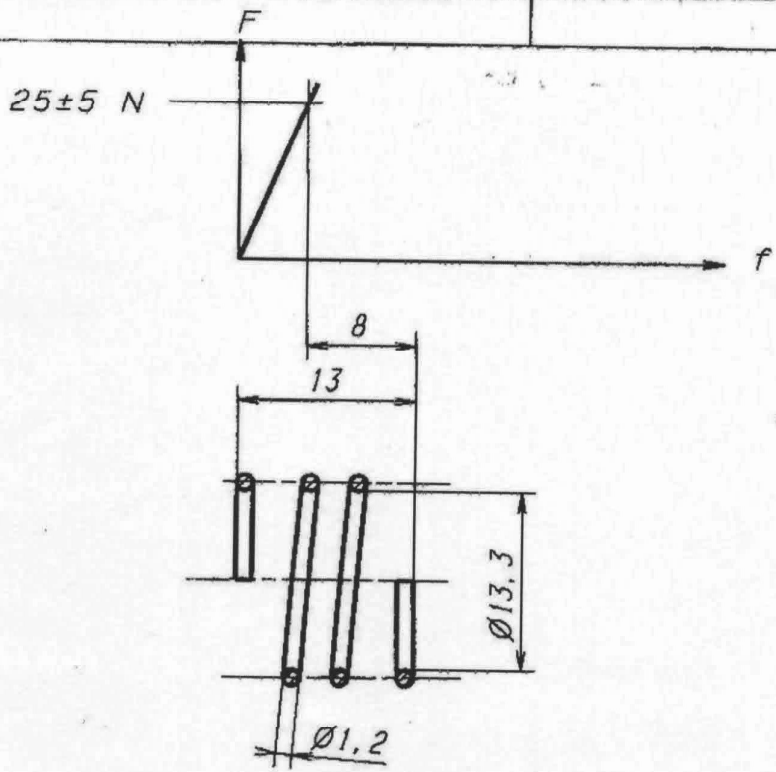
ORDNANCE FACTORY, DEHRADUN.

TELESCOPE SIGHT 84MM CARL GUSTAV MK III

COMPRESSION SPRING

DRG. NO F-1302-026990

MCT-2304/1



n tot
Total number of coils | 3^{+0.5}₀

Ändvarven nedlagda enl | SS 2386
End coils squared to

FOR TRADE USE
Date of Issue 16/06/14
Rajiv

MATL- IS-4454-2001 Pt-1 Gde ° SM°

ORD. FY. DEHRA DUN

		D/- 21-8-06 SCALE 2:1	
		MATL	TREAT
		-	-
DR. SAKTI		SHTS.	SHT. NO
TR.		DRG. NO	
CH. <i>Madan</i>		MCT-2304/1	
APPROVED <i>[Signature]</i>			
1/2 DO - DGM/P			
DANo 18/2014 Dt 16/10/14			
AMENDMENTS			
OFD/DO/002			

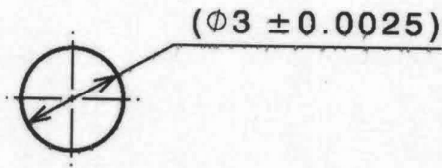
TELESCOPIC SIGHT ASSY. 557 B 14
BALL RB-3RS d3

DRG. No.-

CQA(I)-792/44

MCT-3483

ORDNANCE FACTORY, DEHRADUN.



Stainless steel ball according to ISO 3290-1 / DIN 5401, ball grade G100

MATL. :- AISI 420 OR EQUIVALENT.

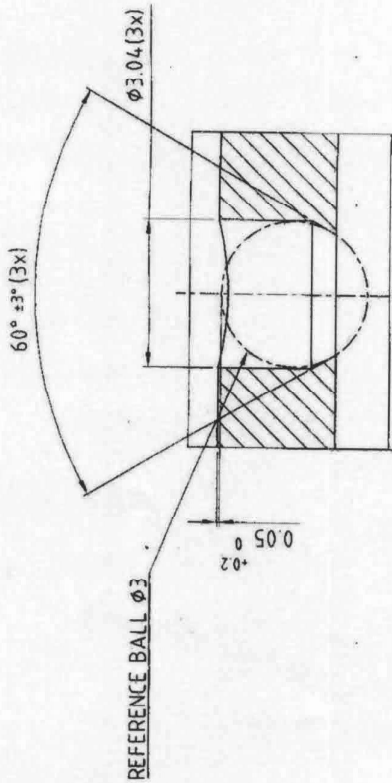
FOR TRADE OFF
Date of Issue 16/06/24
Rajiv

(1) ALL DIMENSIONS ARE IN MILIMETERS.
(2) FIRST ANGLE PROJECTION.

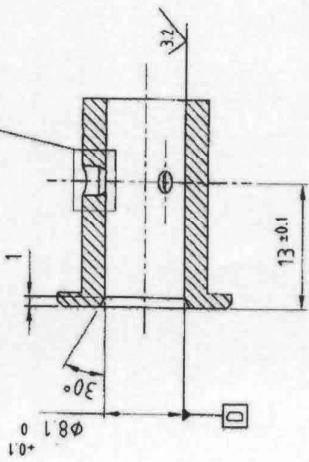
DT.-03.11.2018 SCALE-N.T.S.

	DR.- R.K.SHARMA	<u>MATL.</u>	<u>FINISH</u>
	TR.-	AS ABOVE	AS ABOVE
	CH.	SHTS.-	SHT. NO.-
	<u>APPROVED.</u>	<u>DRAWING No.-</u> <u>MCT-3483</u>	
AMENDMENTS.	(K. SAINI)		
OFD/DO/002	(S. SHASKAR) JWM/DO. AWM/EO.		

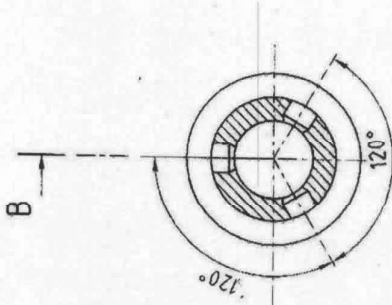
MCT-2303/1



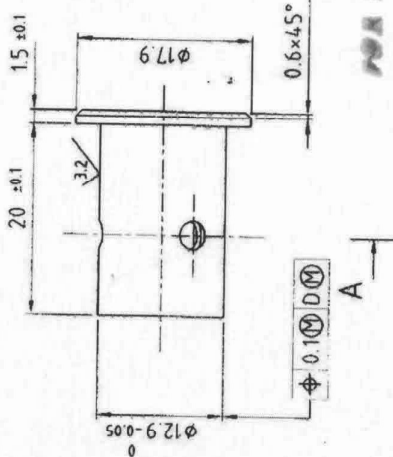
SCALE 10:1



SEC. AT B-B



SEC. AT A-A



FOR TRADE USE
Date of Issue: 16/06/21
Apur

MATL: 15-4431-78 STEEL, DESIGN 40 C 10 S 18
TREAT - NITROCARBURIZED FZ min. 8µm max. 15µm, OXIDATION-TREATED.

ALL DIMENSIONS ARE IN mm.

ORDNANCE FACTORY DEHRADUN	DR- R.K.SHARMA	DT- 23.08.2006	SCALE- 2:1
	TR:- CH:- <i>Sharma</i>	MATL. AS ABOVE	TREAT AS ABOVE
APPROVED <i>S.S.W.</i> IC/00	APPROVED <i>Sharma</i>	D.A.No. 18/2014 D+16/10/14	SHTS:- 1
	OGM/P	AMENDMENTS. OFD/00/002	SHT. No:- 1
DRG. No.- E1303-027010C		DRAWING NO. - MCT-2303/1	
TELESCOPE SIGHT FOR 84 mm. CARL GUSTAV MK-III LOCKING SLEEVE			