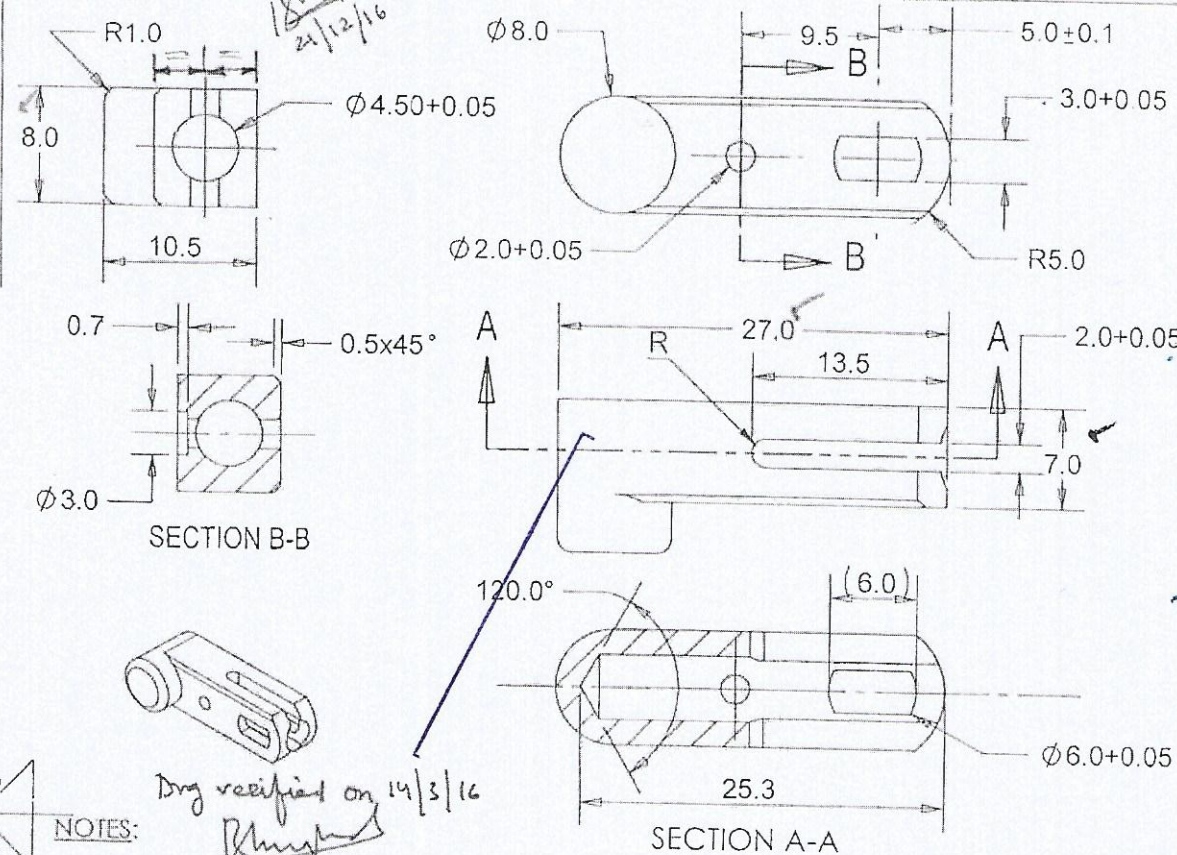


ISS C A AA S SS IC  
 E 0 0 0 0 1 0 0 2 0 0 0 2 0 3 0 4 0 2 0 2 0 0

DRG No

GEN TOL FINE/MEDIUM/COARSE  
 CLASS TO IS:2102

DRG CONVENTIONS CONFIRM TO INDIAN STDS  
 DIMN IN mm UNLESS OTHERWISE STATED



NOTES:

1. REMOVE ALL SHARP EDGES AND BURRS.
2. HARDNESS:-375-425 HV.
3. ALT MATERIAL:- MIM 9310 (AISI 9310 EQUIVALENT)  
 HARDNESS 500-600HV 1 CASE DEPTH 0.1-0.3 mm.

CONTROL COPY No. 1

Received on 29/11/15

SR No	DATE	AUTHORITY	BRIEF RECORD	ZONE	CD	GC
DRN	SD	CHD	MATERIAL	SIGN		
APPD	DATE 9/11/2015	Director	STEEL TO IS:5517-1993, 40Ni6Cr4Mo3 (En-24)			
SEALED	DATE		PROTECTIVE FINISH PHOSPHATED TO SPECN IS:3618-1996, CLASS B			
SCALE 2:1	EST MASS		TITLE			
DESIGN AUTHORITY			LEVER, STUD CHANGE RIGHT			
ARDE						
PUNE 411021						

Certified as correct copy  
 of drg. on.....  
 JWM/MMJ  
 A. Works Manager  
 मानक प्रकोष्ठ  
 STANDARD CELL

DRG No 0 2 0 4 0 3 0 2 0 0 0 2 0 0 1

PART No DS CAT No AI-SP SA-7