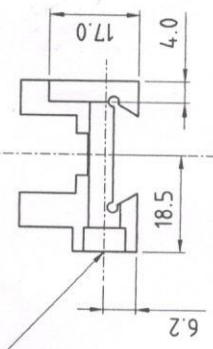


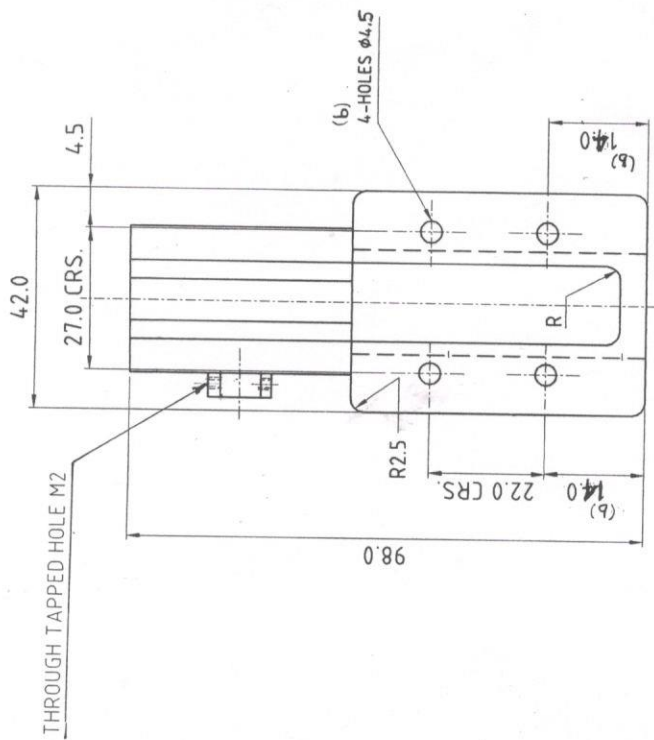
CWC-231/2/1

FOR MAKE ON  
Date of Issue - 2.11.1978

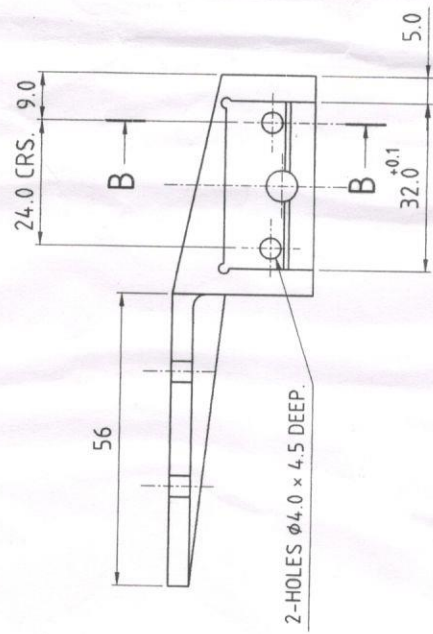
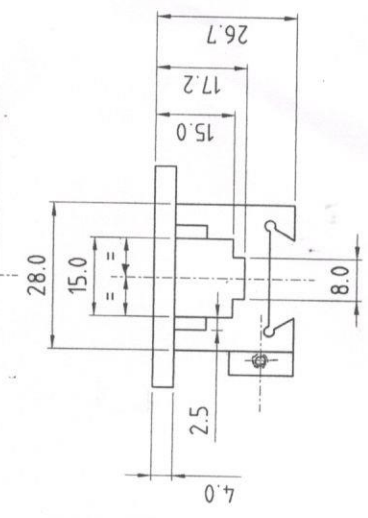
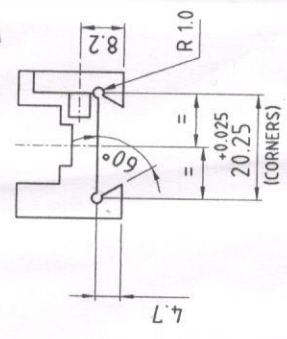
HOLE  $\phi 6.0$  & C'BORED TO  $\phi 8.0 \times 4.5$  DEEP.



SEC. AT 'A-A'



SEC. AT 'B-B'



2-HOLES  $\phi 4.0 \times 4.5$  DEEP.

NOTE :- FEMALE DOVETAIL TO BE SLIDE FIT WITH MALE DOVETAIL.

ALL DIMENSIONS ARE IN M/M.  
IMPORTANT DIMENSIONS MARKED THUS \*  
DIMENSION MARKED THUS † TO BE MARKED ON

MATL. :- STEEL, C-40, IS:5517-1978.  
FINISH :- PHOSPHATISING, CLASS B  
IS:3618-1966.

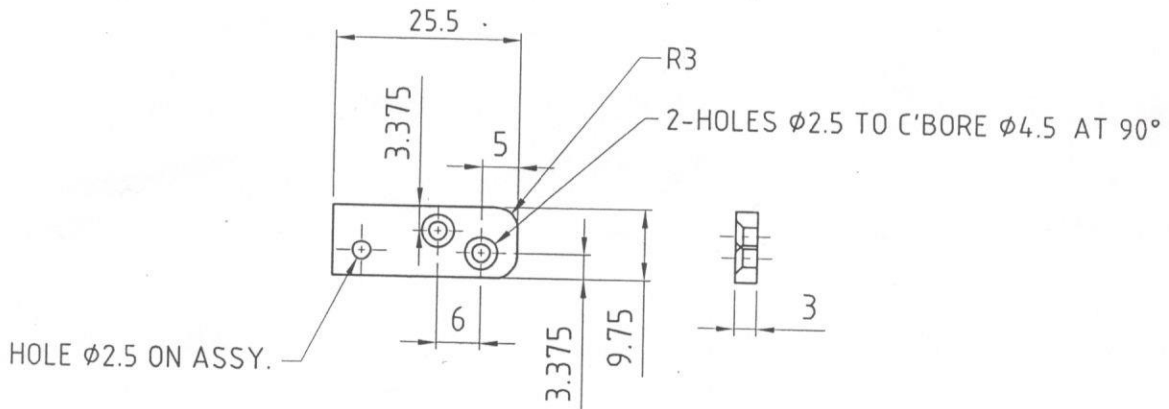
ORDNANCE FACTORY DEHRADUN	DR:- R.K.SHARMA	DT:- 21.01.2013	SCALE:- 1:1
	TR:-	MATL: AS ABOVE	TREAT AS ABOVE
APPROVED: 	CH:-	(b) D.A. No. 13/2014 SHT. 29/04/2016	SHT. No.:- 1
		(c) D.A. No. 13/2014 SHT. 25.8.2014	
	AMENDMENTS. OFD/DO/002	DRAWING NO.:- CWC-231/2/1	

MODIFIED P.N.S. FOR 5.56 mm. RIFLE (INSAS)  
DOVETAIL, FEMALE

DRG. NO. :-  
BASED ON  
IRDE-2605/31.

MODIFIED PASSIVE NIGHT SIGHT FOR 12.7 A.D. GUN  
LOCKING PLATE

ORDNANCE FACTORY, DEHRADUN.



MATL. :- MILD STEEL.

FINISH :- BLACK PHOSPHATING AND FRONT SIDE POWDER COATING.

**FOR TRADE ONLY**  
Date of Issue: 13/02/17  
Raj

DIMENSIONS ARE IN M/M.  
IMPORTANT DIMENSIONS MARKED THUS ◉  
INFORMATION MARKED THUS † TO BE MARKED ON.

		DT. 22.08.2013	SCALE- 1:1	
	DR.- R.K.'SHARMA	MATL.	TREAT.	
	TR.-	AS ABOVE	AS ABOVE	
	CH. (VIMAL KUMAR)	SHEETS-1	SHTS.-1	
D.A.No.-09/2016, Dt.-29/04/2016	APPROVED.  (AJAY SINGH) JWM/DC.	DRAWING NO-		
AMENDMENTS.				 (T. KHATTAR) DGM/P&P.
OFD/DC/002				