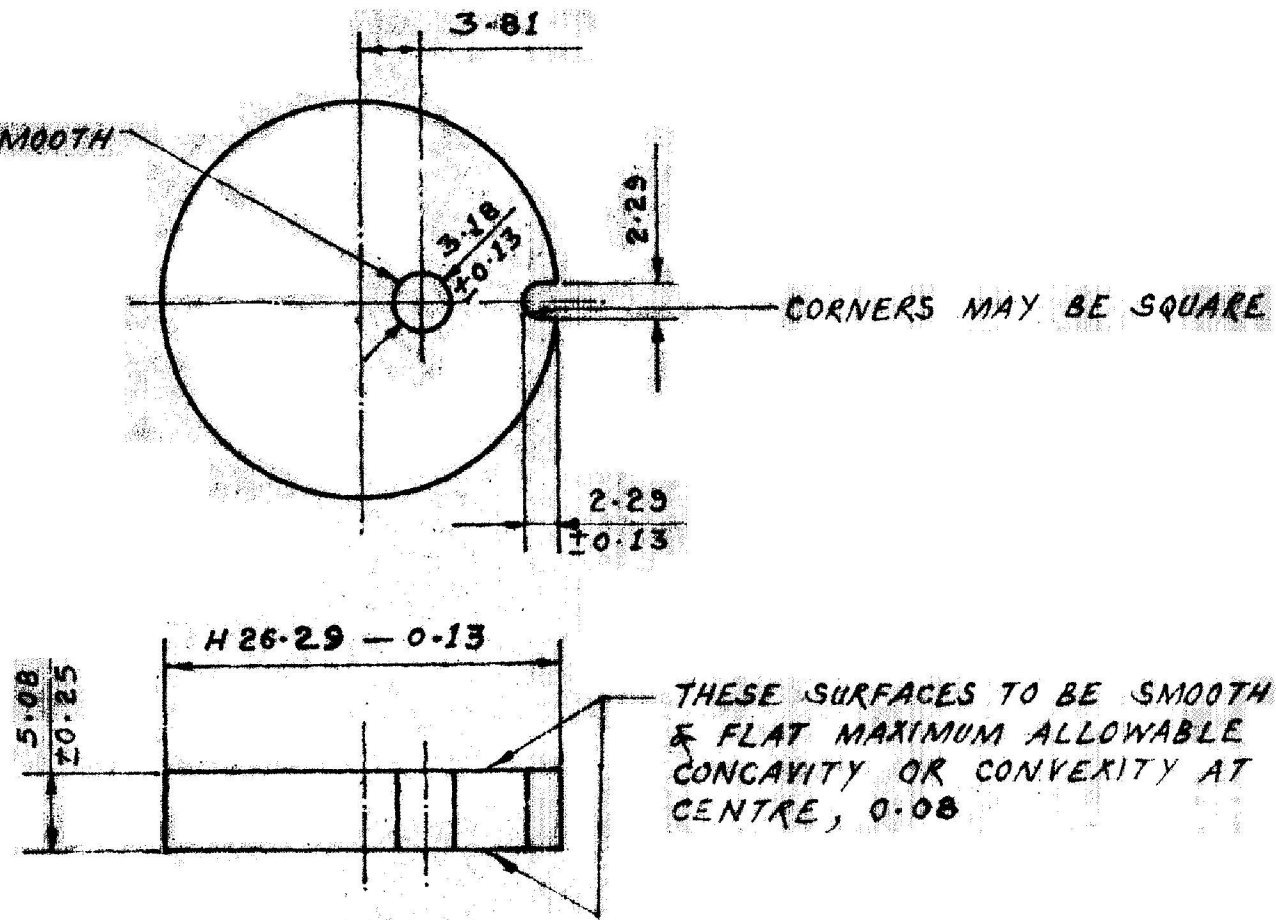


900 X 0

ALL DIMENSIONS ARE IN MM

D.C.I. 27176-A

BORE TO BE SMOOTH



NOTE :-

TOLERANCE ON UNTOLERANCED DIMENSIONS FOR ONE DECIMAL PLACE ± 1.3 FOR TWO OR MORE DECIMAL PLACES ± 0.13

MATERIAL :-

BRASS BS 2870 CZ 107 (HALF HARD) OR BS 2870 CZ 108 (HALF HARD) OR BS 2874 CZ 121 Pb3 IN 'M' CONDITION (LATEST ISSUE) OR BS 2872 CZ 122 OR METAL COPPER ALLOY 'G'

TO BE PASSIVATED TO SPEC. L 10205 AMENDED TO DATE & TO BE COATED WITH AMMUNITION SEALING COMPOSITION NO 217 TO SPEC. JSS 1323 A (AMENDED TO DATE).

SCANNED WITHOUT CHANGE				DRN A.K.J.	CHD	TRD. RDT	COMP.	ASSY. DRG.
PREVIOUS DC Nos. - 27176-A, 27393-A, 29959-A, 30249-A, 30849-A, 31957-A, 32648-A, 33517-A, 34790-A, 34831-A & 35434-A				SDI- C.D'MAN	SDI- O/C.D.O.	SDI- APPD.	SCALE - 2/1	1QX35GE, 1QX41GE
REVISION:				FOR C & A(A)		SDI- DATE: - 10-7-64	EST. MASS -	DESIGNER'S REF.
DRG. SEALED: - 14-8-64				MATE: - AS ABOVE		GAUGE SCHD: -		CIA/ FD/ 33
ZONE				PROTECTIVE FINISH: -		DATE: - 10-7-64		PART NO

DISC

QX 336

D.S. CAT NO
AHSP: - C.Q.A. (A) KIRKEE