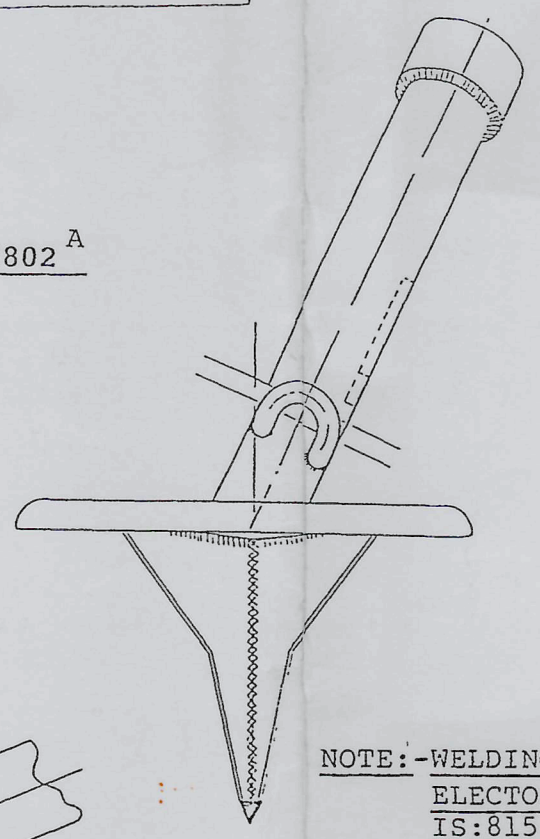
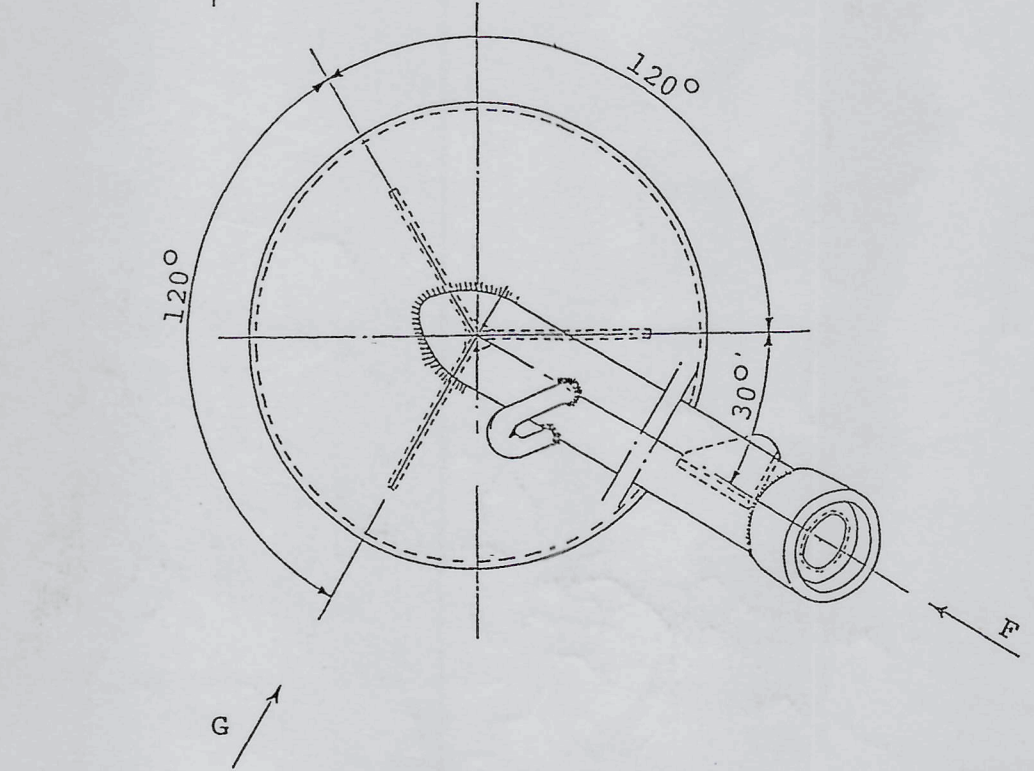
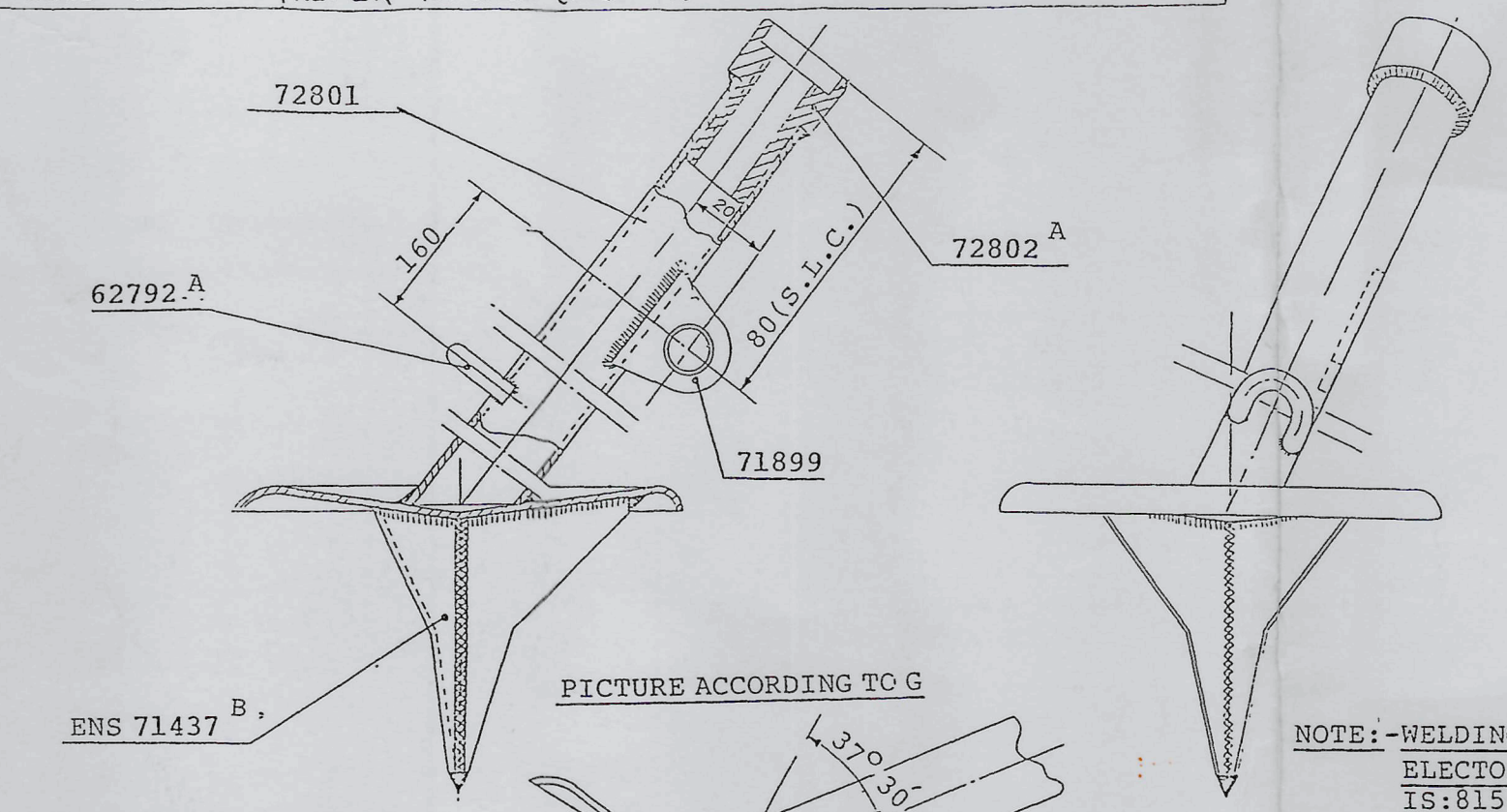


JS CAT No. **2590-001788**
 2 SHTS SHT.1
 DRG CONVENTIONS CONFORMS SP:46-1988, DIMENSIONS ARE IN mm, TOLERANCE FOR UNTOLERANCED LINEAR DIMENSIONS REFER IS: 2102 (Med Cl.).



NOTE: -WELDING AS PER SPEC. IS:314 (PART 1)1974,
 ELECTRODE E 307412 AS PER SPEC.
 IS:815-1974

NOTE: -FOR FUTURE MANUFACTURE
 SEE SHEET No.2

STATE OF SURFACE
 GENERAL MARGINS
 SAFETY SLIGHT PHOSPHATATION
 WEIGHT 590gr.

06-02-17	19572-W	F/5-7	ZONE F/5-7 & PROT FINISH ADDED.	SIG
06-01-06	18940-W		NOMEN & DS CAT No AMENDED	AHSP
22-10-03	18812-W		HINDI NOMEN ADDED	DO
6.10.93	17741-W		A2SIZE DRG REDUCED TO A3 PREV. DC(I) Nos. 11443-W 12113-W, 15055-W, 17610-W/17.5.93	
DATE	AUTHORITY	ZONE	ANATURE	SIG
			AMENDMENTS	DO

HOTCHIKISS BRANDT
 52 CHAMPS ELYSEES
 PARIS 8^e

CHIEF	ASSY DRG	CQA (W) JABALPUR
MLN	1015-001548	
DO	ESTD MASS	
AHSP	DATE	DESIGN No.
FOR CQA (W)	SCALE- NTS	PART No. 2 SHTS
DRG SEALED	DPN	AMG 72800 SHT.1
11443-W	DO CQA (W)	ES CAT. No. 2 SHTS
22.2.67		2590-001788 SHT.1
DO CQA (W)		

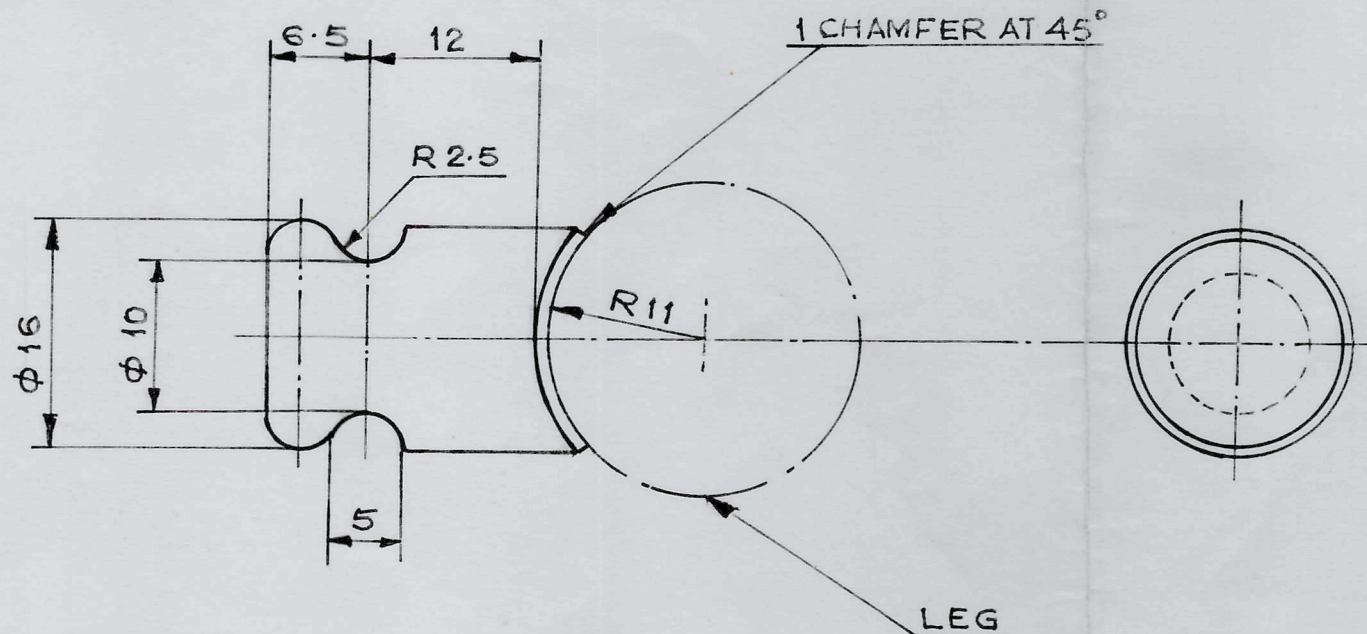
MOUNTING BY ARC WELDING DEVICE
 PROT. FINISH :- PHOSPHATED AS PER SPEC JSS:
 0465-0:1994, CLASS II, FINISH (G).

LEG SEMI-TRAILER RETRACTABLE SUPPORT
LEFT LEG(WELDING ASSY) 81mm.LIGHT MORTAR
लेग सेमी-ट्रेलर रिट्रेक्टेबल सपोर्ट

REDUCED AT CQA (W) JABALPUR
 PREPARED BY 790-50000 CHECKED BY
 DATE 13.6.94

D. S. CAT No.
1015-000108

FOR EXPLANATION OF DIMENSIONING ETC, SEE
ARDE NOTE SHEET No.1
DIMENSIONS ARE IN mm.



BASED ON IAG SK 382

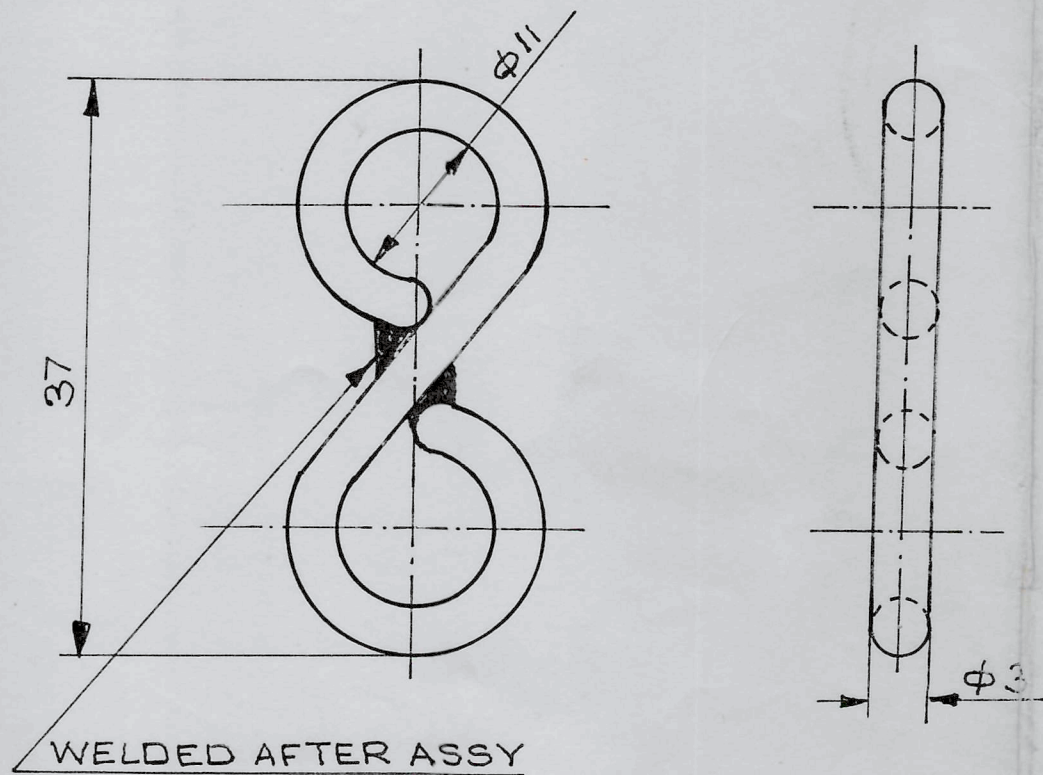
22-10-03	19812-W		HINDI NOMEN. ADDED.		DRN:-	CHD:-	ASSY DRG: AMG 71439 SHT 2 & AMG 72800 SHT 2	CQA(W) JABALPUR	
17-3-2001			RE TRACED WITHOUT CHANGE.		TCD:- <i>R. Sharma</i>	CHD:- <i>G.P. Shukla</i>	DATE:-		
			PREV. DC(I) Nos. 12113-W, 13957-W, 15443-W, 17187-W & 17192-W/11-1-92.		<i>[Signature]</i>	AHSP	SCALE:- 2:1		
DATE	AUTHORITY	ZONE	NATURE	SIG AHSP	SIG DO	C/D MAN	DO FOR CQA(W)		ESTD mass:-
AMENDMENTS				MATERIAL:- STEEL BS 970 PART 1, 1983 GDE 070 M 20				DESIGN. No.	
DRG. SEALED:- DC(I) No. 12113-W (PROV) DATE:- 9-9-68				DO CQA(W)				PROTECTIVE FINISH:- TO SPEC JSS:0465-01:1988 CLASS II & PAINTED WITH SERVICE COLOUR	CIA/WPN/1483
								PART No.	
								IMR 464	
								DS CAT No.	
								1015-000108	

रस

STUD

D.S. CAT No.
1015-000109

FOR EXPLANATION OF DIMENSIONING ETC., SEE
ARDE NOTE SHEET No.1.
DIMENSIONS ARE IN mm.



NOTE:-

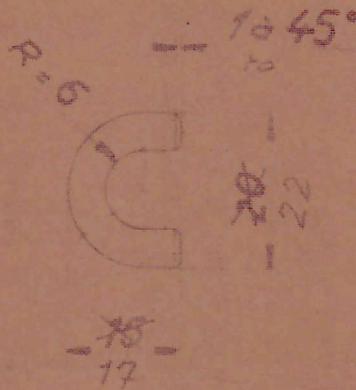
WELDING AS PER SPEC IS: 814 (PART-I)
1974, ELECTRODE E 307412 AS PER
SPEC IS: 815-1974

BASED ON IAG SK 382

22-10-03	18812-W	HINDI NOMEN. ADDED.		DRN:-	CHD:-	ASSY.DRG:- AMG.71439 SHT.2 & AMG.72800 SHT.2	CQA(W) JABALPUR	
16-3-2001		RE TRACED WITHOUT CHANGE		TCD:- <i>P.B. Sharma</i>	CHD:- <i>G.P. Shukla</i>	DATE:-		
		PREV. DC(I) Nos. 12113-W, 13957-W, 15443-W, 17187-W, 17192-W, & 17610-W/17-5-93		<i>[Signature]</i>	AHSP	SCALE:- 2:1		
DATE	AUTHORITY	ZONE	NATURE	SIG AHSP	SIG DO	C/D MAN		DO FOR CQA(W)
AMENDMENTS				MATERIAL:- STEEL BS 970 PART I, 1983 GDE 070 M 20			DESIGN No.	
DRG. SEALED PROV. - DC(I) No 12113-W DATE- 9-9-68				DO CQA(W)			PROTECTIVE FINISH:- JSS:0465-01:1988, CLASS II & PAINTED WITH SERVICE COLOUR	CIA/WPN/1484
							PART No.	
							IMR 465	

रस्स हुक 'S' HOOK

D.S. CAT No.
1015-000109



1983 ✓

MATE BS 970 PART 1 ~~1972~~ GDE 070 M20

Matter Round medium steel $\phi 5$.
State of delivery
Mechanic charact

State of surface *N*
General margins
Safety
Weight *5gr.*

AMG
27/3/54

16809-W MAT~~E~~ AMENDED
31-8-89
15463-W MAT~~E~~ AMENDED
1-2-80

[Signature]
[Signature]
DSS

Date:
Checked by:

11443-W PROV SEALING CANCELLED
22-2-67 ~~DRG. SEALED~~ SSO

Date:
Checked by:

10495-W MAT~~E~~ ADDED.
17-1-85 SSO

Date:
Checked by:

9536-W ~~SEALED PROV~~
22-7-64 DO CIA

Drawn by: *HB*
Checked by:
Approved by:

Date: 20.12.62
Date:
Date:

Scale: $\frac{3}{4}$ Whole: 92 799 Study:

HOTCHKISS - BRANDT
52 Champs - Elysées
Paris 8^e

DESIGNATION
CARRYING EYE
LEFT LEG

31mm LIGHT MORTAR AMG N° 62792

A

PART No

AMG 72801

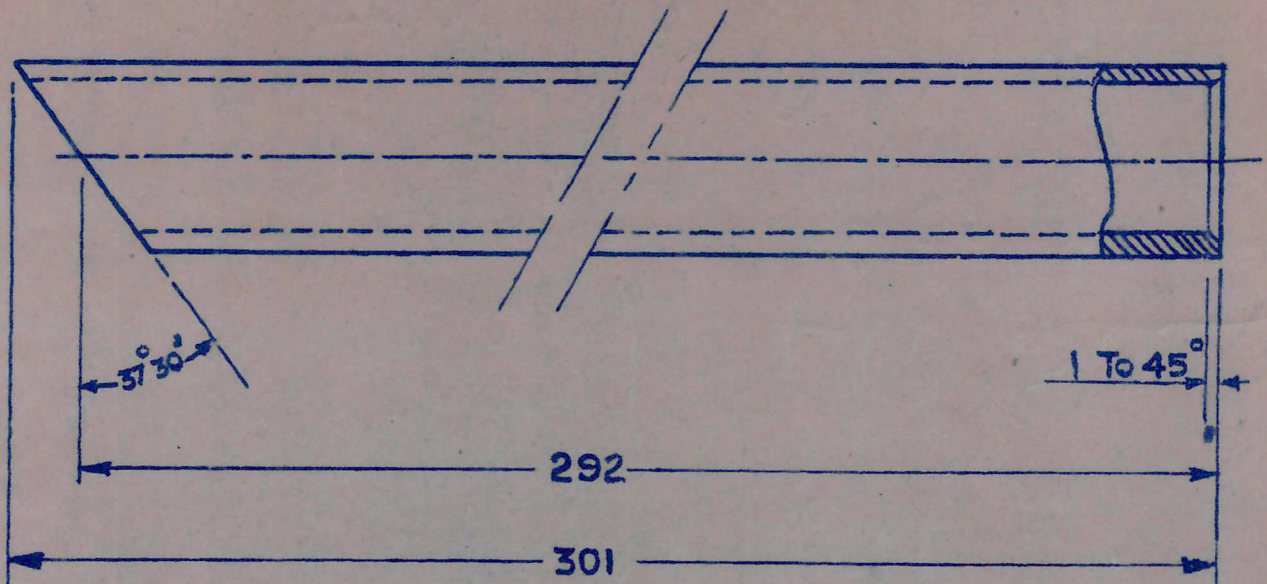
DIMENSIONS ARE IN mm

D

C

B

A

MATTER - MEDIUM STEEL TUBE, WITHOUT
SOLDER

STATE - COLD DRAWN OF 19/22

GENERAL MARGINS ± 0.1 TILL 10MM
J 13 AFTER

CQA(W) JABALPUR

DRN

CHD *Arkayada*SCANNED *RP*CHD *...*

APPROVED

AHSP

11-5-06

SCANNED & PRINTED
WITHOUT CHANGE*Dr. A*

DO

FOR CQAW

DATE

AUTH

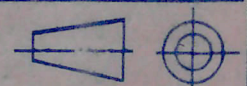
ZONE

AMENDMENTS

SIG
AHSPSIG
DO

ASSY DRG.

72799

PREV DC Nos: 9536-W, 10495-W, 11443-W, 16969-W &
18812-W DT 22-10-03

DRG SEALED :- 11443-W DT 22-2-67

FOR CQA(W)

DESIGN No.

SCALE :- 1:1

ESTD MASS

DATE :-

PART No.

AMG 72801

MATERIAL :- BS : 6323 Pt 4, 1982 CFS 6 NBK & NZF

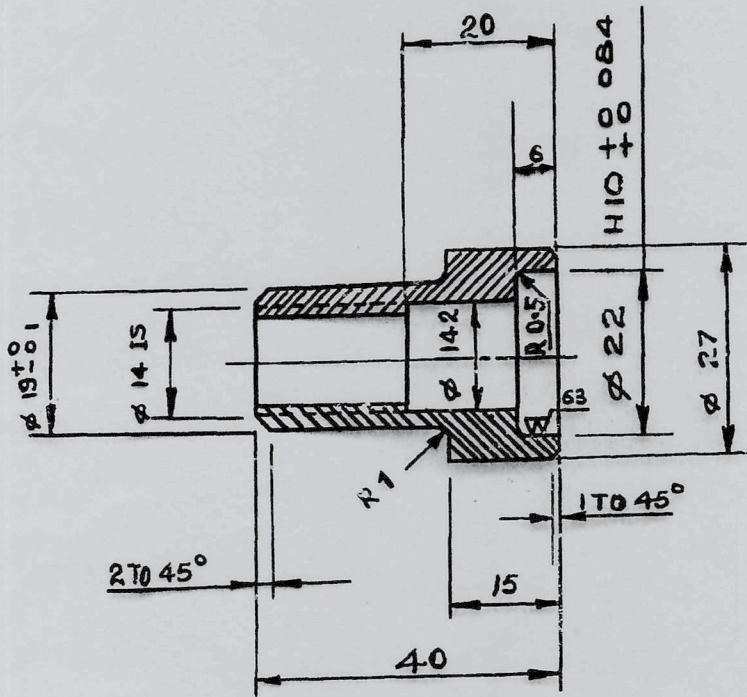
DS CAT No.

LEG LOWER PART *लेग लोवर पार्ट*
LEFT LEG
81 mm LIGHT MORTAR

PART No

AMG 72802

DIMENSIONS ARE IN mm



MATTER -25 CD 4S

STATE OF SURFACE:- ∇ 125

GENERAL MARGINS:- ± 0.1 TILL 10mm, J13 AFTER

CQA(W) JABALPUR

DRN

CHD *Adkayuda*

SCANNED *Adkayuda*

CHD *Adkayuda*

APPROVED

AHSP

11-5-06

SCANNED & PRINTED
WITHOUT CHANGE

DO

FOR CQA(W)

DATE AUTH ZONE

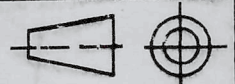
AMENDMENTS

SIG
AHSP

SIG
DO

ASSY DRG.

72799



PREV DC Nos: 9536-W, 10495-W, 11443-W, 15493-W, 15809-W,
& 18812-W DT 22-10-03

DRG SEALED :-11443-W DT 22-2-67

FOR CQA(W)

DESIGN No.

SCALE :-1 : 1

ESTD MASS

DATE :-

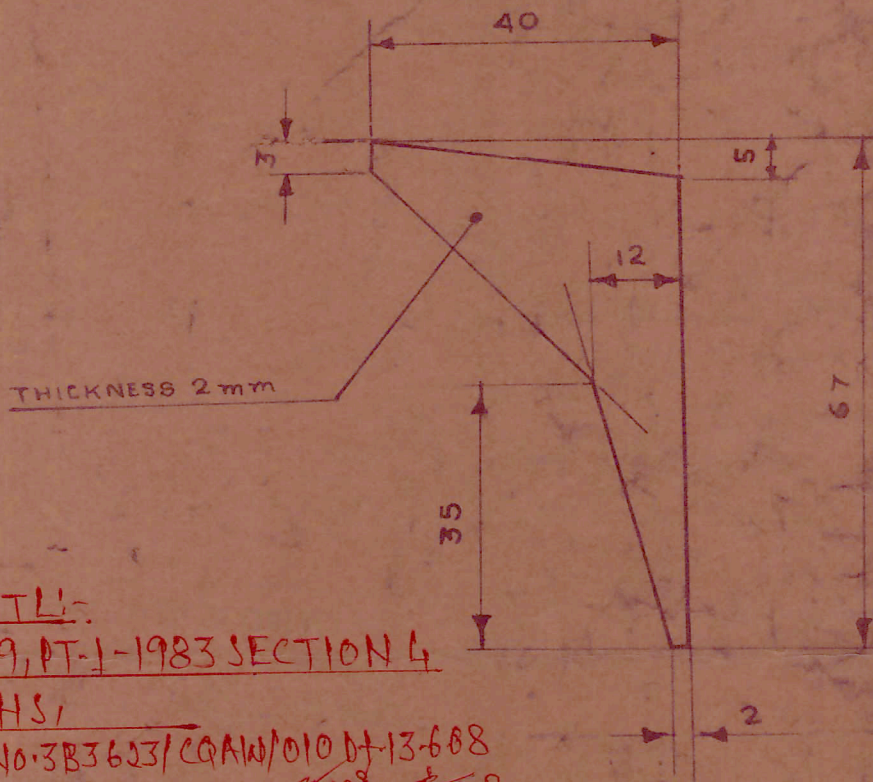
PART No.

AMG 72802

MATERIAL :- BS : 970, PART 1, 1983 Gde 709 M 40

DS CAT No.

UPPER NUT अपर नट
LEFT LEG
81 mm LIGHT MORTAR



ALT. MATL:-

BS: 1449, PT-1-1983 SECTION 4

Grp. 22 HS1

AS PER L.NO. 3B3623/COAW/010 DT-13-6-08

MATL BS 1449 E*20.

*
BS: 1449-
Pt-1-83
Sec 3, HR
43/25.

08/07/08
5-7-08

C.I.(W.) J ABALPUR

TRACED CHECKED DATE

S.K. VYAS 4-4-72

MATTER :- SHEEL MEDIUM STEEL
STATE :-
MECHANIC CHARACT. :-

STATE OF SURFACE :-
GENERAL MARGINS :-
SAFETY :-
WEIGHT :-

3/12 RETRACED WITHOUT CHANGE 550

PREV. DC^S(S) :- 8536-W, 10495-W,
11443-W.

DRAWN BY :-
CHECKED BY :-
APPROVED BY :-

DATE:
CHECKED B
DATE:
CHECKED B
DATE:
CHECKED B
DATE:
DATE:
DATE:

SCALE :- 1/1 | WHOLE: 72799 | STUDY :-

HOTCHKISS BRANDT

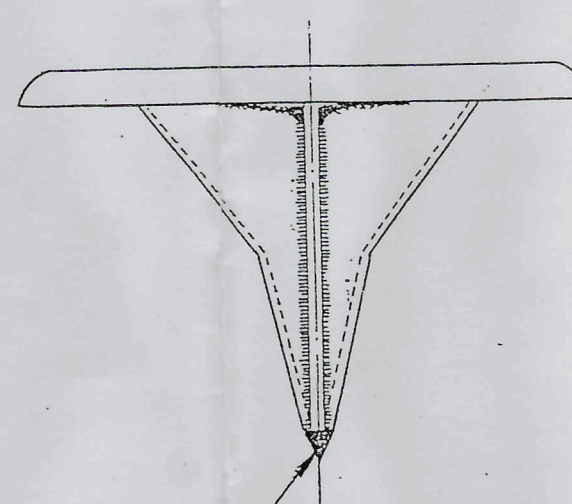
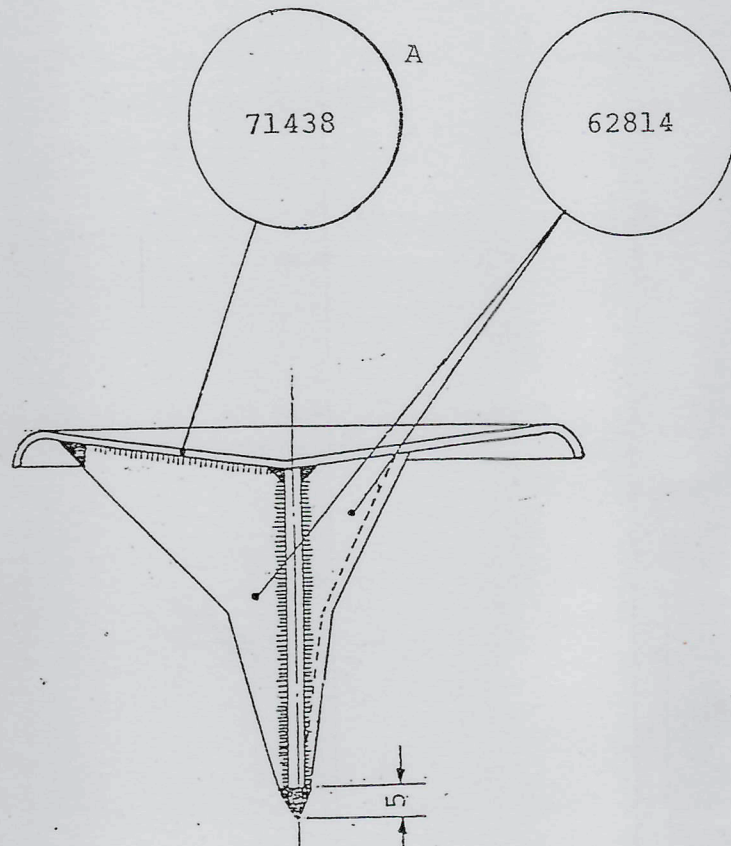
52 CHAMPS - ELYSEES
PARIS 8^e

A

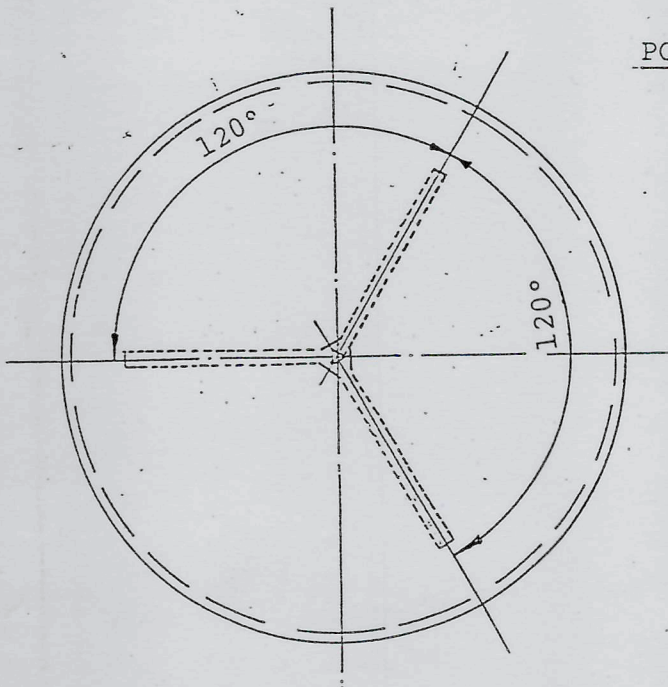
DESIGNATION
SHOE PLATE'S
LEFT LEG
81 mm LIGHT MORTAR

AMG N° 62814

PART No
AMG No. 71437



NOTE:-
WELDING AS PER SPEC IS:814 (PART-II)
1974, ELECTRODE E 307 AS PER SPEC -
IS:815-1974



POINT OBTAINED BY WELDING

WHOLE 72799

HOTCHKISS BRANDT
52 CHAMPS ELYSEES
PARIS 8^e

REDUCED AT CQA(W) JABALPUR
PREPARED BY NSC CHECKED BY NSC DATE 13-7-94

DATE	AUTHORITY	ZONE	NATURE	SIG AHSP	SIG DO
6.10.93	17741-W		A2 SIZE DRG REDUCED TO A-3		
			PREV DC(I) Nos. 9536, 10597-W 11443-W & 17610-W/DT. 17.5.93		
AMENDMENTS					

CHIEF D ^R MAN <i>[Signature]</i>	ASSY DRG.	CQA(W) JABALPUR
AHSP <i>[Signature]</i> FOR CQA(W)	ESTD MASS	DESIGN No.
DRG. SEALED 11443-W 22.2.67 DO CQA(W)	DATE	PART No. AMG No. 71437
	SCALE NTS	D S CAT No.
	DRN	
	CHD	
SHOE ASSEMBLY LEFT LEG 81 mm LIGHT MORTAR		

4

3

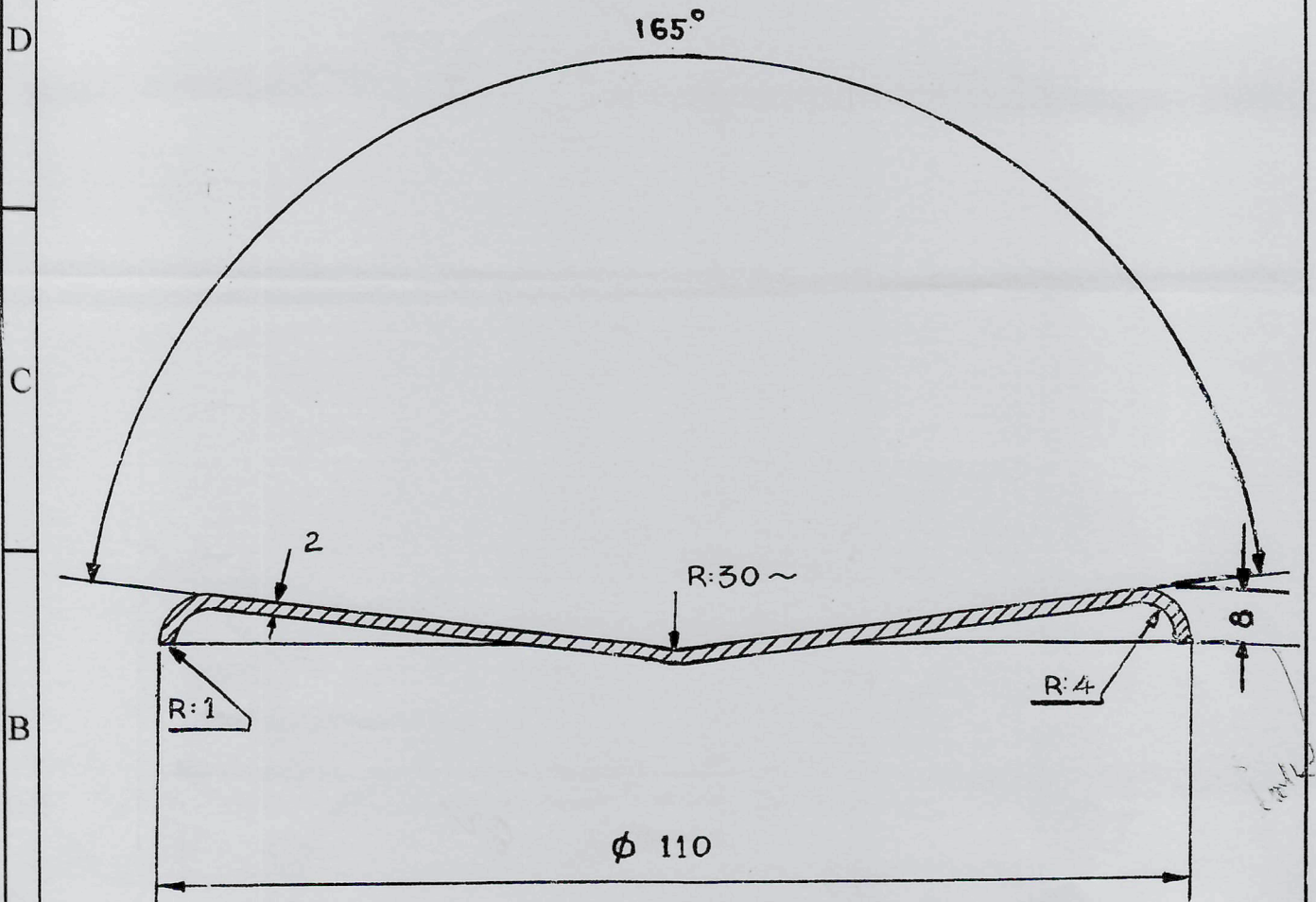
2

1

PART No

AMG 71438

DIMENSIONS ARE IN mm



MATTER :- MEDIUM STEEL SHEET

CQA(W) JABALPUR

DRN

CHD

SCANNED PKA

CHD & dr. Kumar 4/2

APPROVED

AHSP

15-5-06

SCANNED & PRINTED
WITHOUT CHANGE

Handwritten signature

DO

FOR CQAW

DATE

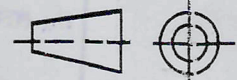
AUTH

ZONE

AMENDMENTS

SIG
AHSPSIG
DO

ASSY DRG.



72799

DRG SEALED :- 11443-W DT 22-2-67

DESIGN No.

FOR CQA(W)

SCALE :- 1 : 1

ESTD MASS

DATE :-

PART No.

AMG 71438

MATERIAL :- BS : 1449 En 2 C

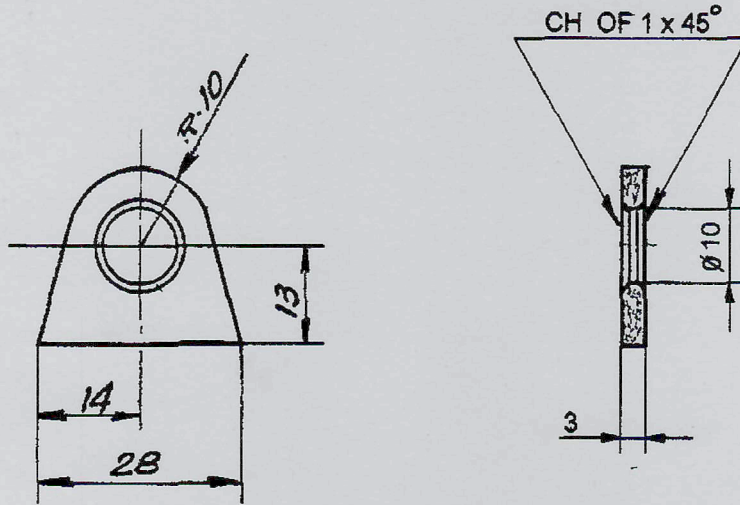
DS CAT No.

SHOE CONE'S, LEFT LEG
81 mm LIGHT MORTAR

PART No.

AMG 71899

DIMENSIONS ARE IN mm



MATERIAL - BS: 1449, PART-1: 1983 GRADE 22 CONDITION
HS SECTION 4.

GENERAL MARGINS - + 0.1 TILL 10 mm - J 13 AFTER
STATE OF SURFACE - \sim
MATTER - MEDIUM STEEL SHEET

						CQA(W) JABALPUR	
						DRN	CHD
						SCANNED :- SKB.	CHD <i>Salish Kumar</i>
26-9-15	19450-W	MATL. AMENDED				APPROVED	AHSP
15-5-06		SCANNED & PRINTED WITHOUT CHANGE				DO	FOR CQAW
DATE	AUTH	ZONE	AMENDMENTS	SIG AHSP	SIG DO	ASSY DRG.	
PREV DC Nos- 9536-W, 10495-W & 11443-W Dt. 22-02-67						72799	
DRG SEALED - 11443-W Dt. 22-02-67						DESIGN No.	
FOR CQA(W)							
SCALE :- 1.1		ESTD MASS		DATE .-		PART No	
MATERIAL - AS ABOVE						AMG 71899	
CHAIN EYE'S, LEFT LEG						DS CAT No	
81 mm LIGHT MORTAR							