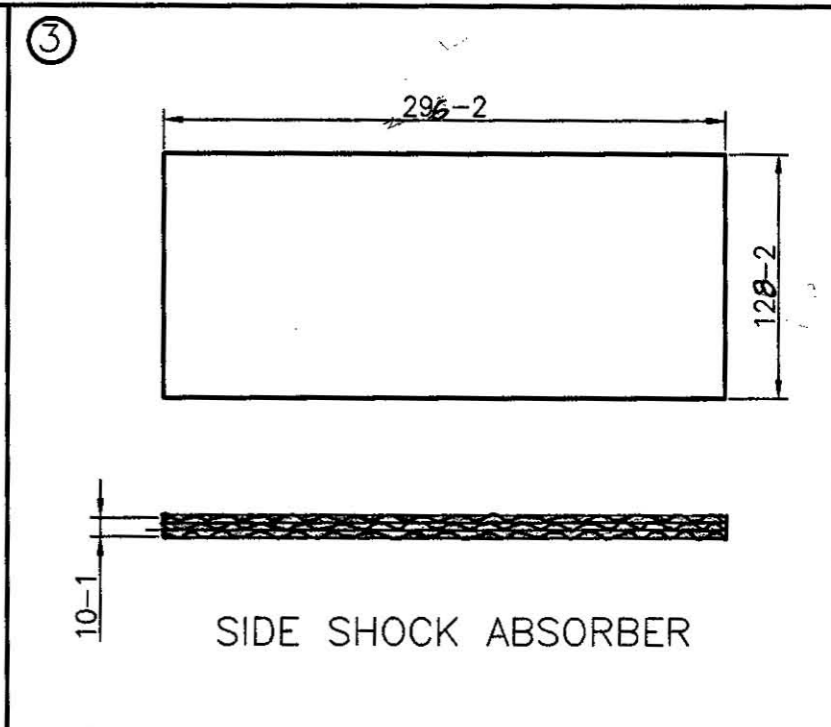
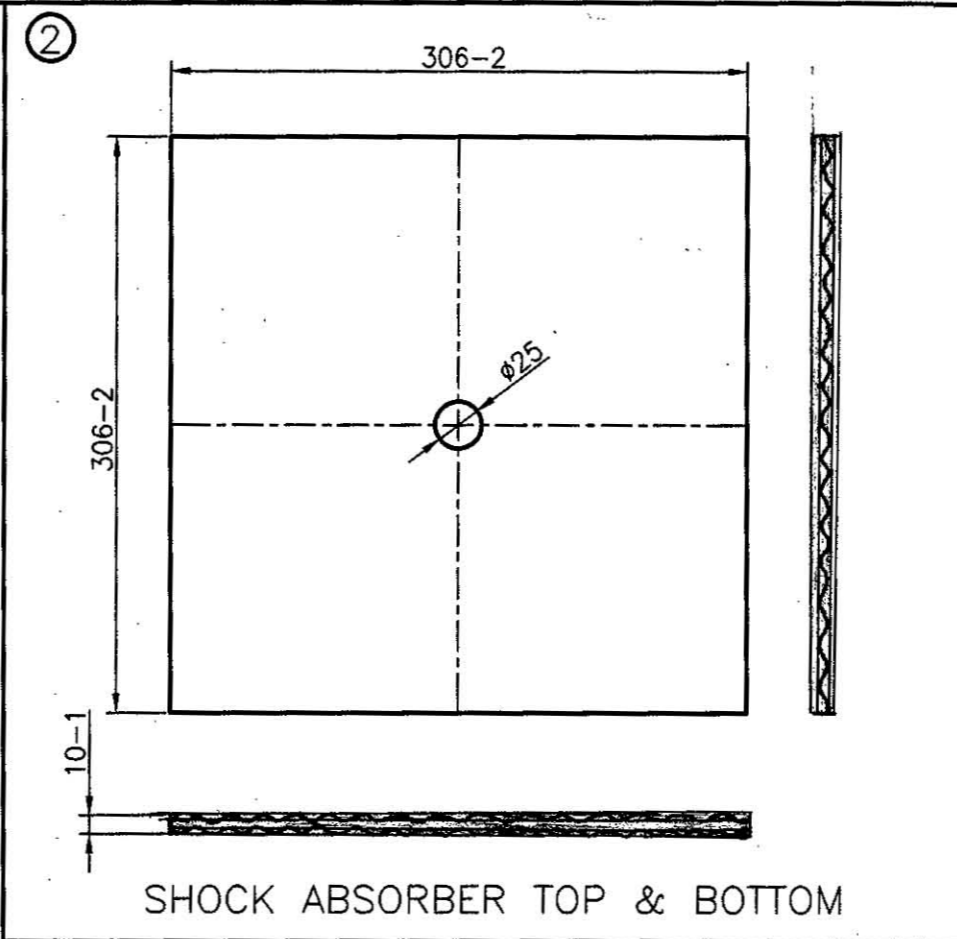
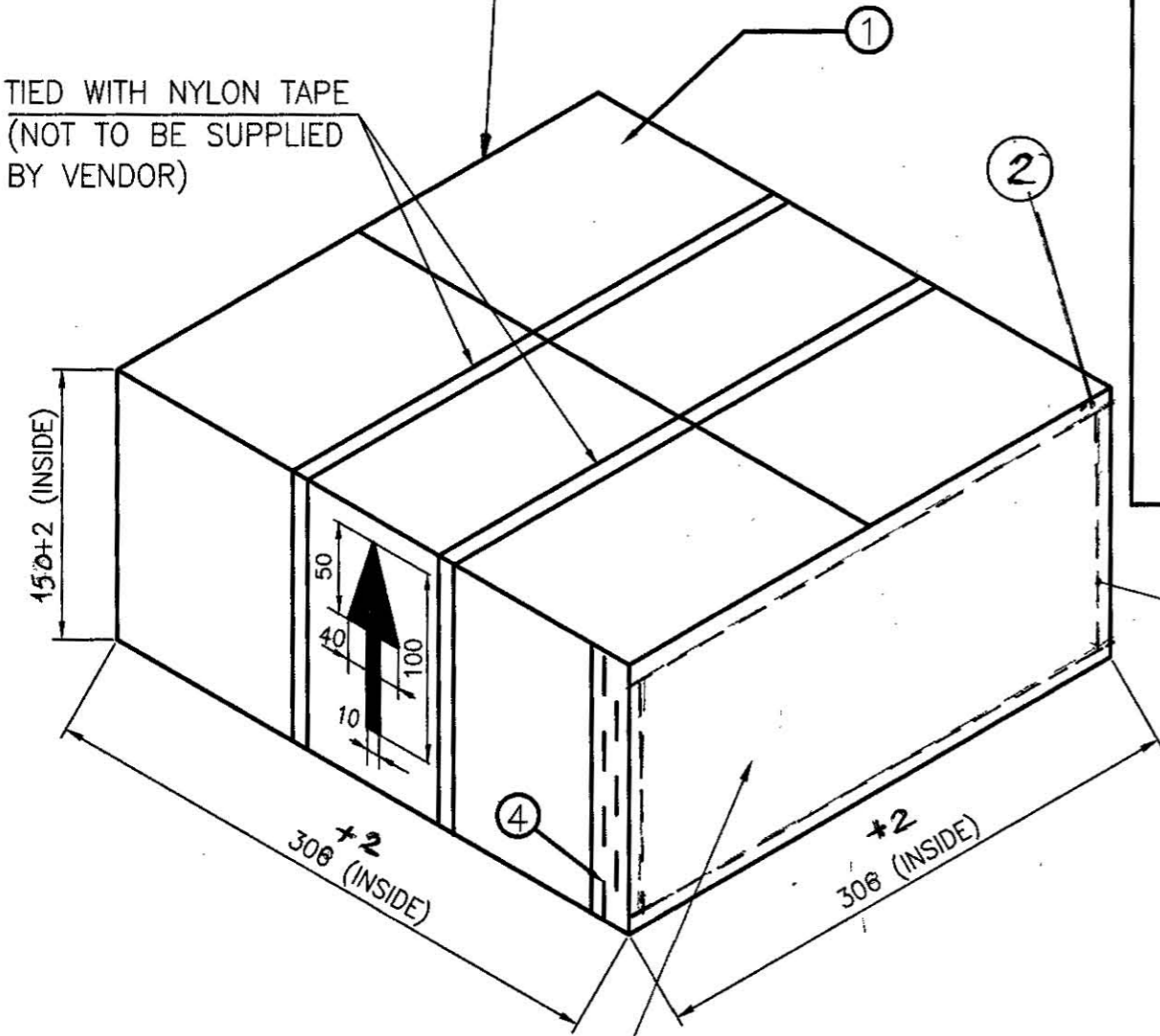


TO,
THE GM

COMPT - F117
FROM,
THE Sr. GM
ORD. FY. AMBAJHARI
QTY 16 LOT NO. DT:

FOLLOWING TO BE PRINTED
IN 20mm LETTER HEIGHT

TIED WITH NYLON TAPE
(NOT TO BE SUPPLIED
BY VENDOR)



SHOCK ABSORBER TOP & BOTTOM

SIDE SHOCK ABSORBER

- NOTE 1. PART NO. 1 : 150 GSM KRAFT PAPER, 5 PLYS, 2 WALL, VERTICAL NARROW FLUTING 5mm THICK.
 2. PART NO. 2 : 120 GSM KRAFT PAPER, 7 PLYS 3 WALL, MEDIUM FLUTING, 10mm THICK & CROSS FLUTED ie ALTERNATE FLUTES SHOULD RUN ACROSS AS SHOWN IN DETAIL
 3. PART NO. 3 : 120 GSM KRAFT PAPER, 7 PLYS 3 WALL, VERTICAL MEDIUM FLUTING 10mm THICK.
 4. PARTS TO BE MARKED WITH THE MANUFACTURERS NAME/INITIAL OR TRADE MARK.
 5. GENERAL WORKMANSHIP AND FINISH SHALL BE GOOD THROUGH OUT.
 6. OTHER PARAMETERS ARE GOVERNED BY THE SPECN. IS : 2771(Pt.I) LATEST ISSUE.
 7. EACH BOX IS TO HOLD COMPONENTS OF MASS 20 Kg.

FOLLOWING TO BE PRINTED
IN 20mm LETTER HEIGHT

संभालने,
महाप्रबंधक

कामो नैन्ट-एफ-117
प्रैबिन,
वरिष्ठ महाप्रबंधक
ऑ. फ. अम्बाजहरी
मात्रा 16 लॉटन - दि.

REV.	DATE	NOMENCLATURE	SIGN.
B 205	07.10.15	In Nomenclature Packing Carton was Packing Box. Drg. Adv. to 'B'.	HOS/CDD
A.	17.05.04	Printing matter in Eng. Added Drg. No. Adv. to A	M.S.W.K. 27.04/03

AMENDMENTS

PART	DESCRIPTION	NO. OFF	BURSTING STRENGTH	REMARKS
4	STAPLES, MS GALVANISED 12 x 3 x 0.8 THICK	AS REQD.		
3	SIDE SHOCK ABSORBER	4	MINIMUM 12kg/cm	
2	SHOCK ABSORBER (TOP & BOTTOM)	2	MINIMUM 12kg/cm ²	
1	BOX	1	MINIMUM 9kg/cm ²	

PART LIST

DIMENSIONS ARE IN mm			MATERIAL: AS ABOVE	
THIRD ANGLE PROJECTION			NOMENCLATURE:	
SCALE : N.T.S			CORRUGATED FIBREBOARD PACKING CARTON FOR 16 Nos.	
2004	NAME	DATE	STORE: FZ-117	
DRAWN	J.P.	08/02/04	ORDNANCE FACTORY AMBAJHARI	
TRACED			DRG. NO: FS-2494 B	
CHECKED	J.S.	11/02/04	SHEET NO: 1	
APPVD.	Jt.GM/FS	20/2/04	NO. OF SHEETS: 1	
			OPERATION NO: -	
			COMPT: FZ-117 ASSY. WITH PLASTIC CONTAINER FS-245	