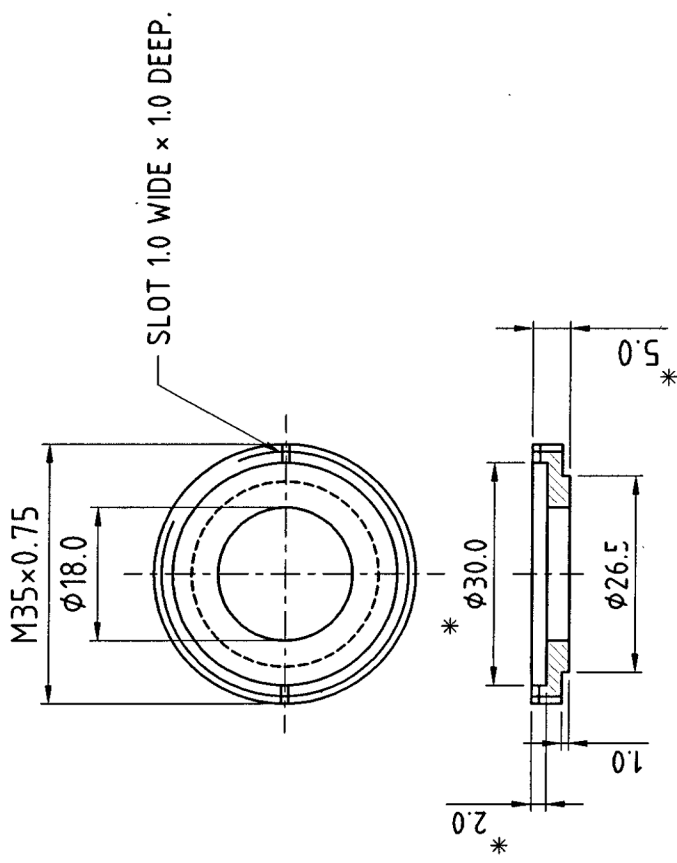


GRATICULE RING



MATL. & SPECNAE ALLOY 24345 WP IS: 733-1983.

FINISH :- BLACK ANODISING.

DIMENSIONS ARE IN M/M.
 IMPORTANT DIMENSIONS MARKED THUS *
 INFORMATION MARKED THUS † TO BE MARKED ON.

		DR. - R.K.SHARMA	DT. 22.08.2013	SCALE - 1:1
		TR. -	MATL. AS ABOVE	TREAT. AS ABOVE
D.A. No. - 26/2015, DT. 19/06/2015		CH. (VIMAL KUMAR)	SHEETS-1	SHTS.-1
* D.A. No.10/2014, DT.24.7.2014		APPROVED. (I.J.SINGH) JWM/DO.	DRAWING NO -	
AMENDMENTS.				
OFD/DO/002		(T. KNATTAR) DGM/P&P.	CWC-229/67/2	