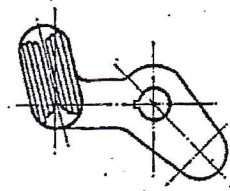
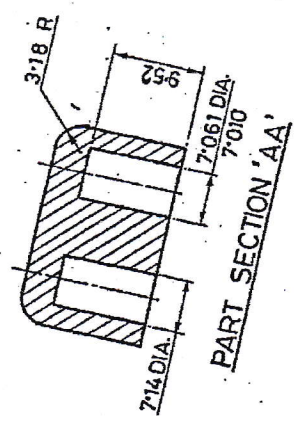


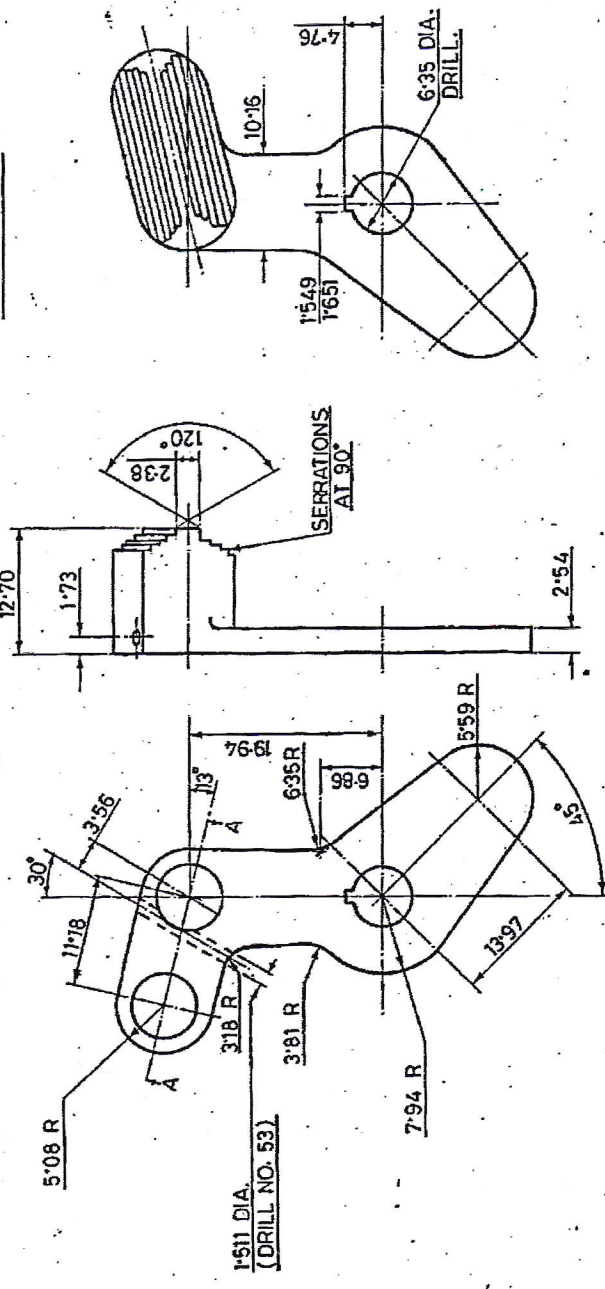
1 2 3 4 5 6 7 8

DIMNS. ARE IN MM.

DS. CAT. NO. 1005-001644



ACTUAL SIZE



NOTE
FOR EXPLANATION OF DETAILS WHEREVER
NOT SPECIFIED REFER D.D. NOTE SHEET
NO. 3 (LATEST ISSUE).

UN CONTROLLED COPY

ICR-1312

DRN	CHD	TRD	COMP.	ASSY	1005-001643
SCALE: 2:1		EST. MASS			
MFG/INSP INSTRUCTIONS		APPROVED		DT: 19-6-67	
DT: 05.01.96	IC.D.O.	NEG. RE-TRACED			
MATERIAL	15:5517:1993 DESIGNATION: 35.Mn6 M03				
H.T./HARDNESS	240-290 H V(41-47 HRD).				
PROTECTIVE FINISH	ON ASSEMBLY				
SIGN.		DATE			
ZONE I/C.D.O. G.O		BRIEF RECORD			
SEALING DC(I) 14991-SA DT 14.1.77		MATERIAL AMENDED			
4.1-96 23247-SA		PROFORMA CHANGED, NEG. RE-TRACED & DRG. RE-SEALED.			
PREVIOUS DC. NOS. 14991-SA, 16272-SA, 19630-SA,					
DATE AUTH.		CQA(SA)CHAPUR			
SEALING DC(I) 14991-SA DT 14.1.77		DGNR'S REF. ARDE 657/285			
NOMENCLATURE		PART NO.			
LEVER CHANGE		DRG. NO.			
		D.S. CAT. NO. 1005-001644			