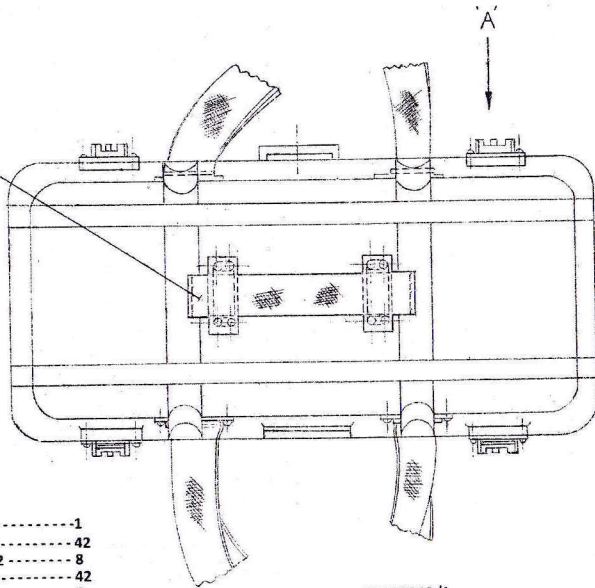


STRAP WEB COTTON VOD O.G. COLOUR 38.0 WIDE x 2.5 THICK x 225 LONG -----1
(CAT No.H-2/8305-000267)



- MCT-2008 -----1
- RIVET SNAP HEAD STEEL $\phi 2.0 \times 7.0$, IS:2998-1982 -----42
- RIVET SNAP HEAD STEEL $\phi 2.5 \times 14.0$, IS:2998-1982 -----8
- PUNCHED WASHER, M2.5 IS:2016 BRASS -----42
- PUNCHED WASHER, M2.5 IS:2016 BRASS -----8

- MCT-2548/1 -----1
(TO BE RIVETED ON ASSY.)
- RIVET, SOLID, SNAP HD. BRASS $\phi 2.0 \times 7.0$ LG., IS:2907 -----2
- WASHER, FLAT PUNCHED TYPE, BRASS, M2, IS:2016 -----2

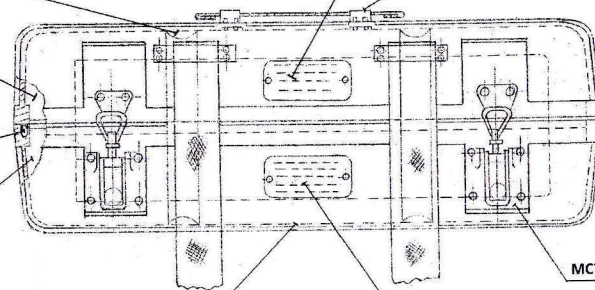
MCT-1369 -----10

MCT-1679/1 -----1
(TO BE GLUED WITH LID)

'O' RING OF SYNTHETIC RUBBER
NITRILE VARIETY IRHD 51-60
 $\phi 5.1 \times 1380$ LG. -----1

MCT-1680/1 -----1
(TO BE GLUED WITH BOX)

- MCT-2007 -----1
- RIVET SNAP HEAD STEEL $\phi 2.5 \times 8.0$, IS:2998-1982 -----16
- RIVET SNAP HEAD STEEL $\phi 2.0 \times 8.0$, IS:2998-1982 -----24
- PUNCHED WASHER, M2.5 IS:2016 BRASS -----16
- PUNCHED WASHER, M2.2 IS:2016 BRASS -----24



MCT-1617/1 -----2

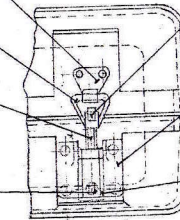
- MCT-2546/1 -----1
(TO BE RIVETED ON ASSY.)
- RIVET, SOLID, SNAP HD. BRASS $\phi 2.0 \times 7.0$ LG., IS:2907 -----2
- WASHER, FLAT PUNCHED TYPE, BRASS, M2, IS:2016 -----2

MCT-1636/1 -----2

MCT-1637/1 -----2

MCT-1380 -----2

MCT-1370 -----2



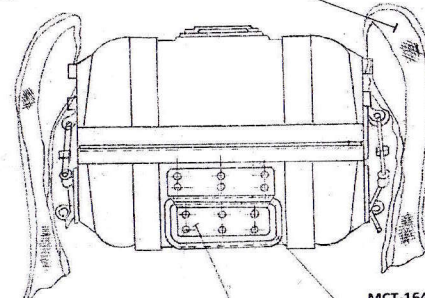
PART VIEW IN DIRECTION OF ARROW 'A'

MCT-1646/1 -----2

MCT-1376 -----2

MCT-1375 -----2

- STRAP WEB COTTON VOD O.G. COLOUR 38.0 WIDE x 2.5 THICK x 1500 LONG -----2
(CAT No.H-2/8305-000267)
- BUCKLE BRASS QUICK RELEASE 38.0 mm. -----2
(CAT No. CN/8315 - 000036)
- TIP, BRASS 38.0 mm. -----2
(CAT No. CN/AA 1884)
- EYE LET BRASS -----4
(CAT No. CN/8315/000048)



MCT-1641/1 -----2
(OR BEST COMMERCIAL HANDLES)

MCT-1644/1 -----2

FOR TRADE OJM
Date of Issue 18/03/2020
Ry

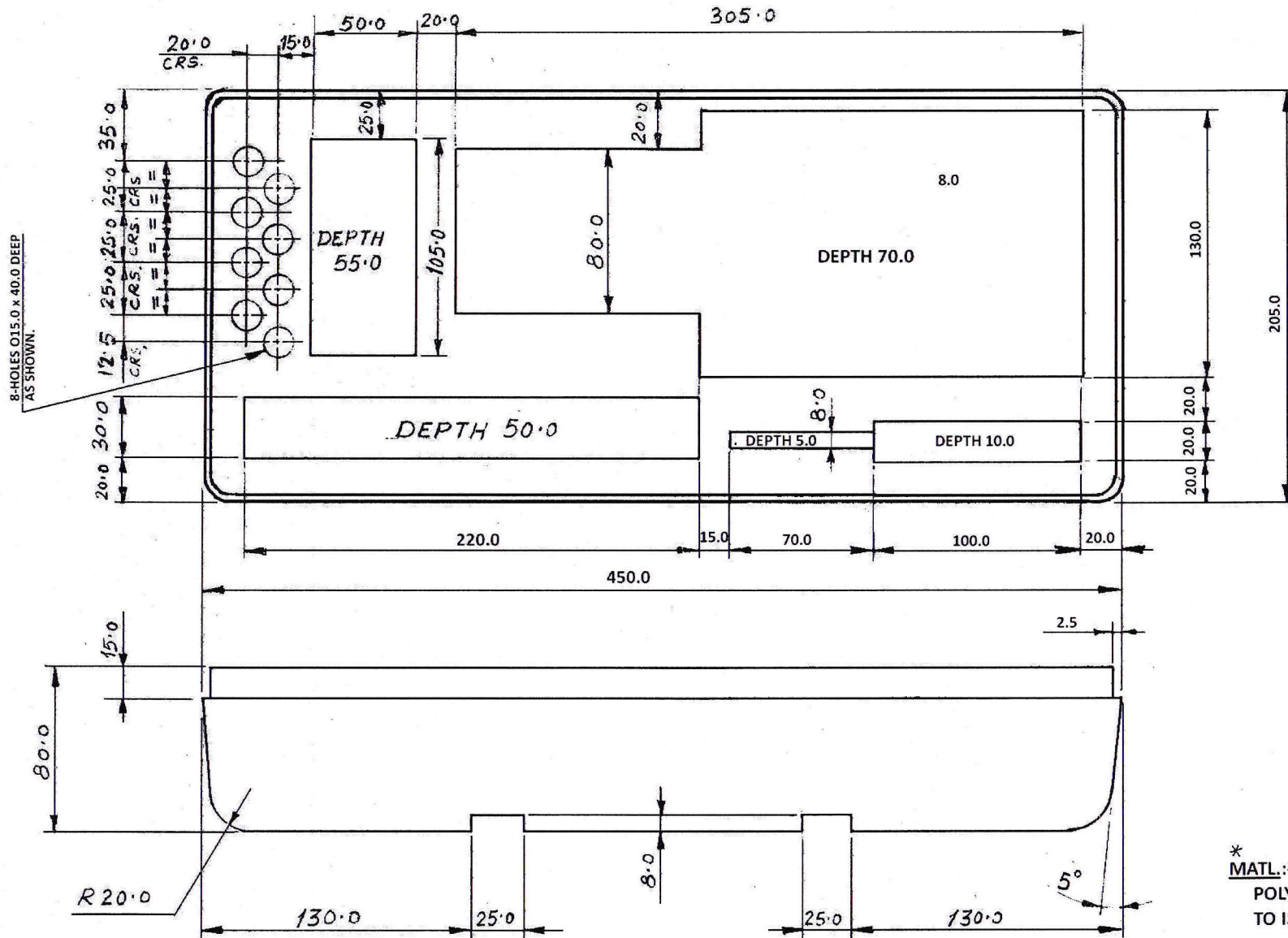
ORDNANCE FACTORY DEHRADUN	DR- <i>Sub 109</i>
	TR-
	CH- <i>[Signature]</i>
	APPROVED <i>[Signature]</i>
JWM/D.O.	WM/MIS

CASE CARRYING, SIGHT NIGHT VISION PASSIVE 5.56 mm.RIFLE (INSAS)101A

ASSEMBLY DRAWING

REF. DRG. No- **IRDE-2653**

DATE- 15-05-99	SCALE- NTS
MATL- SEE DETAIL	TREAT- SEE DETAIL
SHEETS - 1	SHEET NO.- 1
DRAWING NO.- MCT- 1678/2	
AMENDMENTS OFD/DO/002	



DIMNS. IN MM.

FOR TRADE ONLY
 Date of Term *12/03/20*
Ref

*
 MATL:-
 POLYURETHENE FOAM BLACK GREY,
 TO IS:7933-1975.

ORDNANCE ORDNANCE DEHRADUN	DR.:- <i>[Signature]</i>	CASE CARRYING S.N V.P. 5.56 mm. RIFLE (INSAS) 101A FOAM LOWER	DT.:- 11.5.99	SCALE:- 1:2
	TR.:-		MATL. AS ABOVE	TREAT AS ABOVE
	CH.:-		SHTS.:- 1	SHT. No.:- 1
	APPROVED		DRAWING No.:- MCT-1680/1	
<i>[Signature]</i> JWM/D.O	<i>[Signature]</i> WM/MIS	DRG. No.:- IRDE-2653/1	*D.A. No.-28/2014 Dt.05.12.14 AMENDMENTS OFD/DO/002	

CASE CARRYING GOGGLES, NIGHT, VISION, PASSIVE, 102A

DRG NO LOOP

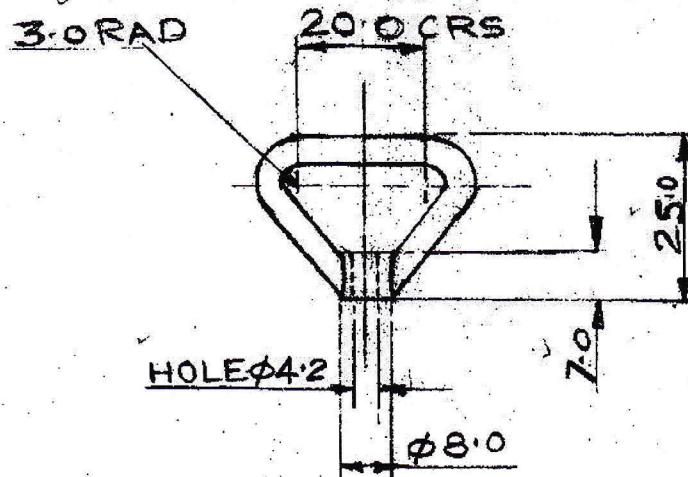
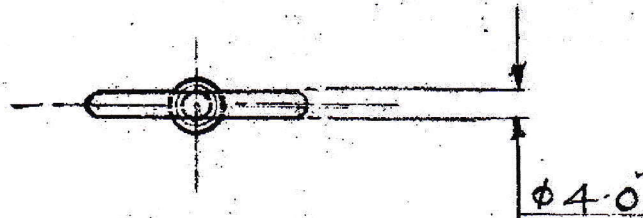
IRDE-379/15

CAT/PT. NO 5340-002427

TITLE OF

OPERATION

THIRD ANGLE PROJECTION



FOR TRADE ONLY
Date of Issue 12/09/2002
D.J.

MATL: STEEL, IS: 1875-1978 IV REVISION, STEEL CLASS

FINISH:
* APPLY PRIMER IS: 2074-1962 AND THAN PAINTED
(ISC 294 TO IS: 5-1978) OF IS: 8982-1978 EXCEPT

DIMENSIONS ARE IN M/M BEARING SURFACES.

IMPORTANT DIMENSIONS MARKED THUS ⊕
INFORMATION MARKED THUS ⊖ TO BE MARKED ON

	DR- SK Thapliyal	D/-3-4-99	SCALE 1:1
	TR-	MATL.	TREAT.
	CH- D. A. No 18/2002	AS ABOVE	
		SHEETS 1	SHEET No. 1
* D.A. No 18/2002 dt 08/08/2002	APPROVED	DRAWING NO.-	
O.F.D/D.O/002	JWM/DO	MCT- 1637/1	
AMENDMENTS	WM/MIS		

ORDNANCE FACTORY, DEHRADUN