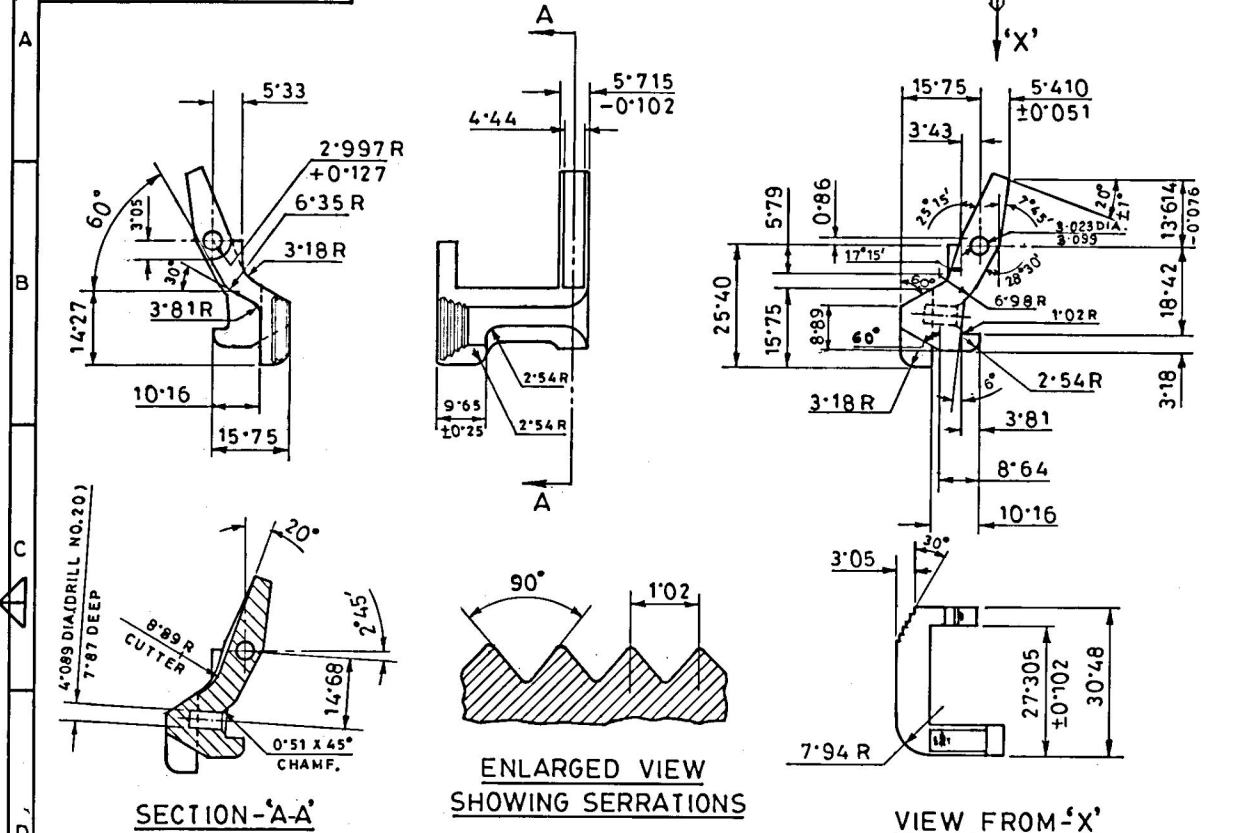


D.S. CAT 1005-001533

DIMNS. ARE IN mm



FOR EXPLANATION OF DETAILS WHEREVER NOT SPECIFIED, REFER D.D. NOTE SHEET NO. 3 (LATEST ISSUE)

ACCEPTANCE STANDARDS FOR MACRO ETCH TEST AND MICROSCOPIC DETERMINATION OF NON-METALLIC INCLUSIONS FOR STEEL:-
 I) MACRO ETCH TEST AS PER ASTM E 381 WITH ACCEPTANCE STANDARD AS C₂, R₂, S₂.
 II) NMIR TEST AS PER IS: 4163-82

PROTECTIVE FINISH:-
 PHOSPHATE TO SPECN. JSS: 0465-01: 1988
 CLASS-I, PAINT RFU STOVING BLACK TO SPECN. JSS: 8010-37

METRIC.

						DRN. <i>[Signature]</i>	CHD. <i>[Signature]</i>	TRD.	COMP.	AHSP CQA(SA) ICHAPUR
						SCALE :- 1:1		EST. MASS		ASSY. 1005-001504
						DT. 24.3.99	<i>[Signature]</i> I/C; D.O.	APPROVED.	DT. 19.6.67	NEG. PREPARED.
24-3-99	24297-SA	PROFORMA & SCALE CHANGED, DRG. REDUCED, NEG. PREPARED AND DRG. RE-SEALED.			<i>[Signature]</i> DAC					
		PREVIOUS D.C.NOS. 14974-SA, 15205-SA, 17651-SA, 21980-SA AND 22786-SA.			COPY					OGNR'S REF. ARDE 657/248
					COPY					PART NO.
										DRG. NO.
										D.S. CAT. NO. 1005-001539
DATE AUTHY.		BRIEF RECORD.		ZONE I/C; D.O. G.O.		H.T./ HARDNESS :- 450 - 500 H.V. (59 - 62 HRD.)				
SEALED :-		D.C. 14974 - SA, DT. 7. 1. 77.		SIGN.		PROTECTIVE FINISH :-		AS STATED		
NOMENCLATURE :-						CATCH, MAGAZINE				