

MATERIAL : AISI / SAE 4630, MIN 4630 OR EQUIVALENT
 HARDNESS : 41-49 HRC
 SUPPLY CONDITION : Mn PHOSPHATE

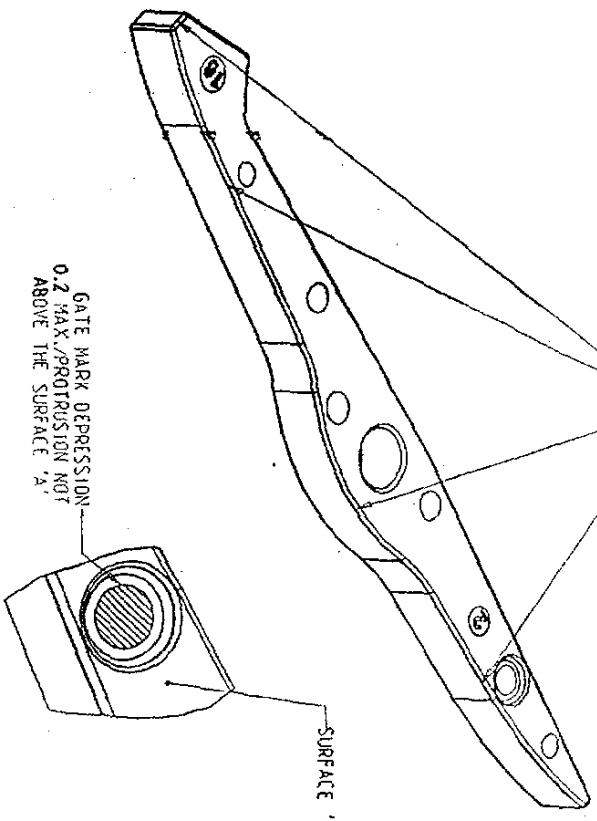
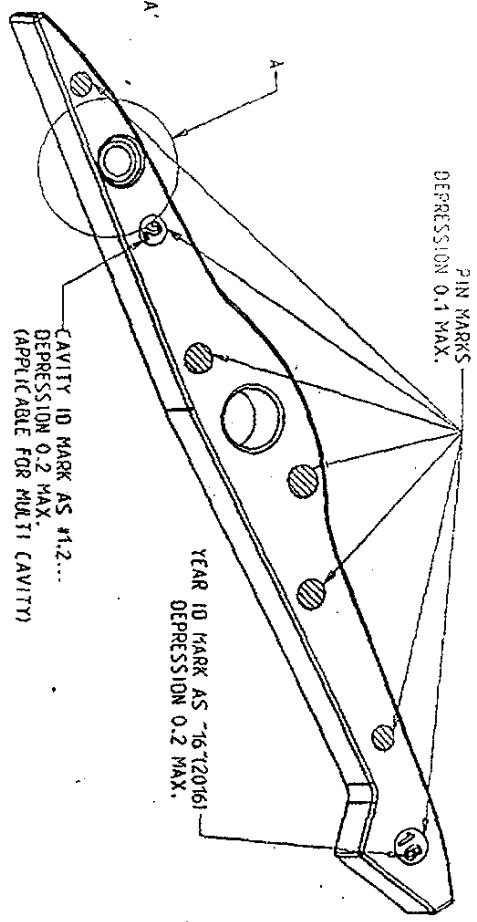
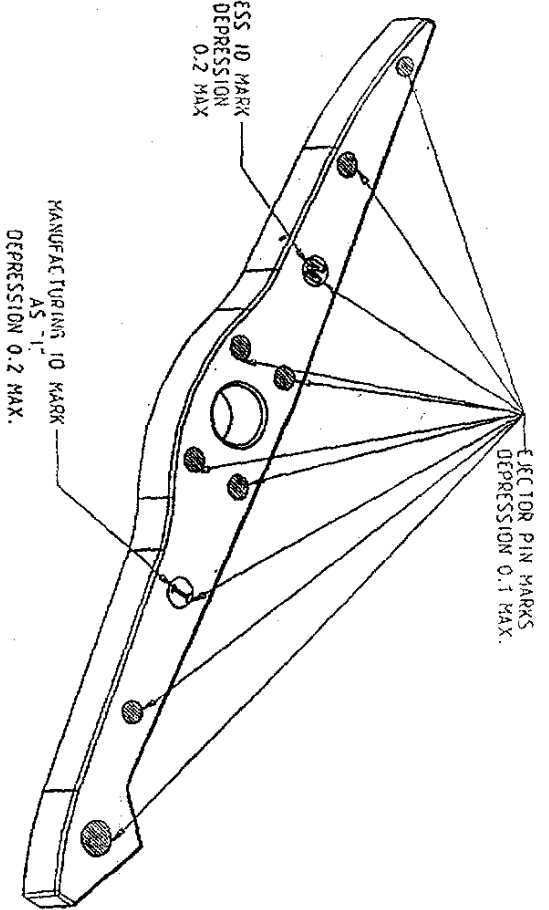
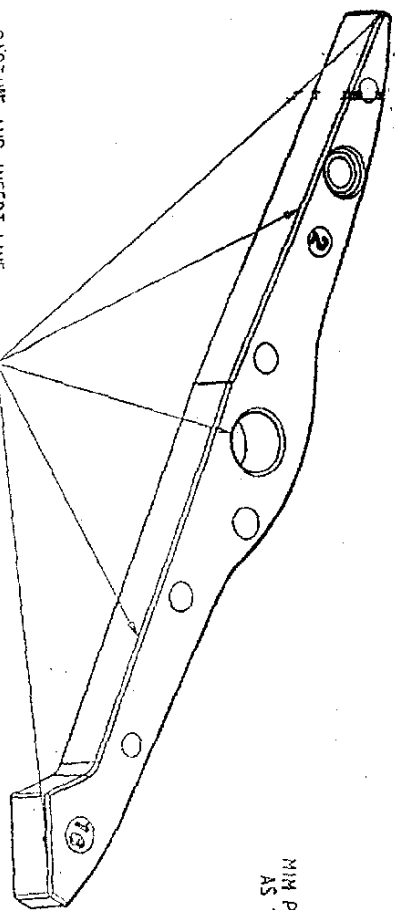
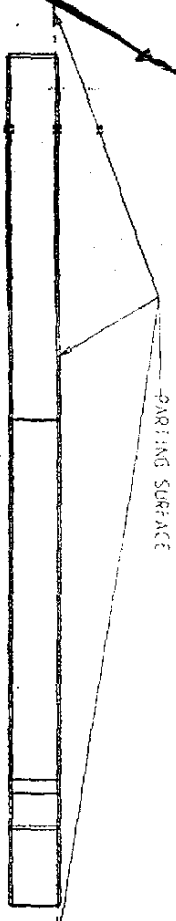
NOTE:-
 1) ALL DIMENSIONS ARE IN mm
 2) GENERAL TOLERANCES ARE

WHOLE NUMBER = ±0.76 mm
 ONE DECIMAL = ±0.25 mm
 TWO DECIMAL = ±0.13mm
 ANGULAR DIMENSIONS = ±1°

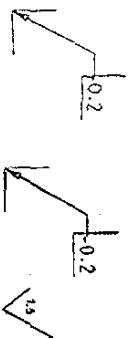
HOS / MPM
 जातिष्ठ प्रत / CERTIFIED COPY
 शिष्टा / लेआउट / गेज सिस्टम
 DRG/LAYOUT/GAUGE SCHEDULE
 तिगत / AT THIS DATE 15.06.2017
 शि / सी / CDD
 गणक कार्गरी, शिंगर
 RIFLE FACTORY, ISHAPORE

ARM SEAR CONNECTING
 THROUGH MIN ROUTE

DRG. REF. NO. - D.S.CAT 1005-003196
 DRG. NO. - REL.SK 10118



NOTES:-
VOLUME OF THE PART = 0.305 CC
MINIMUM WALL THICKNESS = 1.09 mm

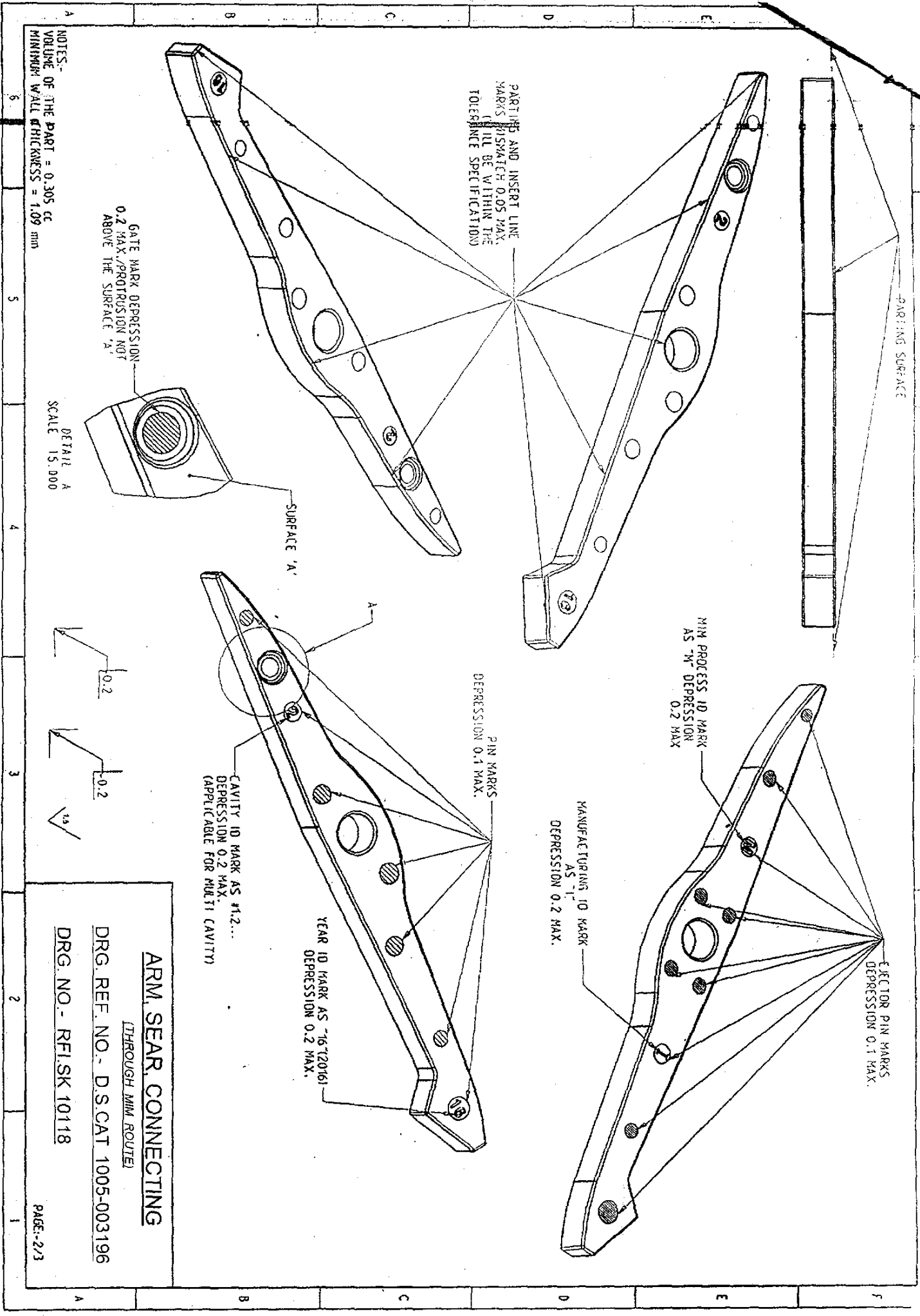


ARM, SEAR, CONNECTING
(THROUGH MIM ROUTE)

DRG. REF. NO. - D.S.CAT 1005-003196

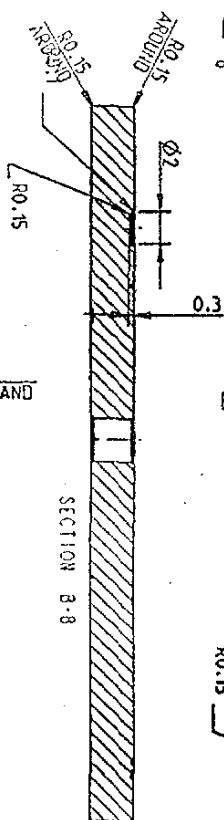
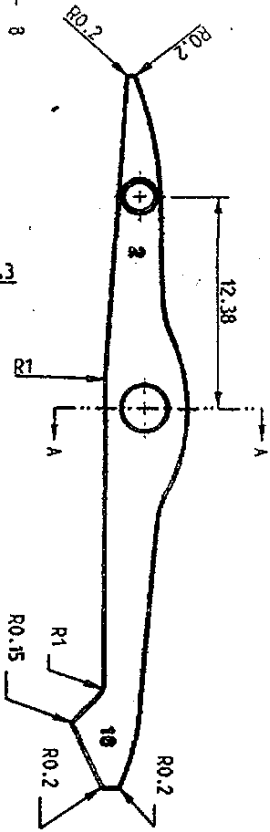
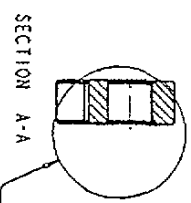
DRG. NO. - RFLSK 101118

PAGE: 2/3



COUNTER BORE FOR GATE

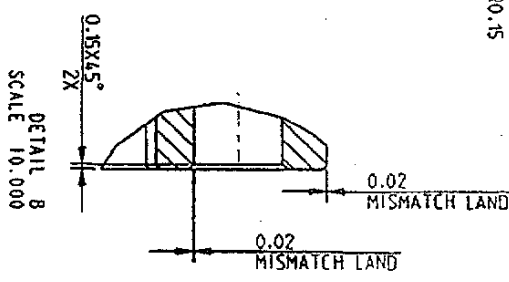
0.02 LAND AND OFFSET REQUIRED ON THESE SURFACE TO AVOID SLIDE AND PARTING LINE MISMATCH (WILL BE WITHIN THE TOLERANCE SPECIFICATION)



0.15X4.5° 2X

COUNTER BORE FOR GATE

R0.2X0.6



0.02 MISMATCH LAND

0.02 MISMATCH LAND

ARM, SEAR, CONNECTING

(THROUGH W/M ROUTE)

DRG. REF. NO. - D.S.CAT 1005-003196

DRG. NO. - RFLSK 10118

PAGE--3/3

