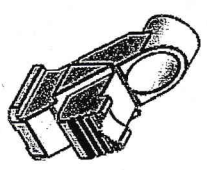


① DANo 21/21
Dt. 23/3/21

SIGN



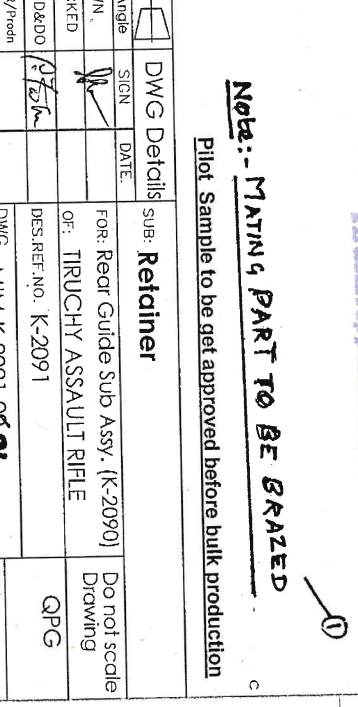
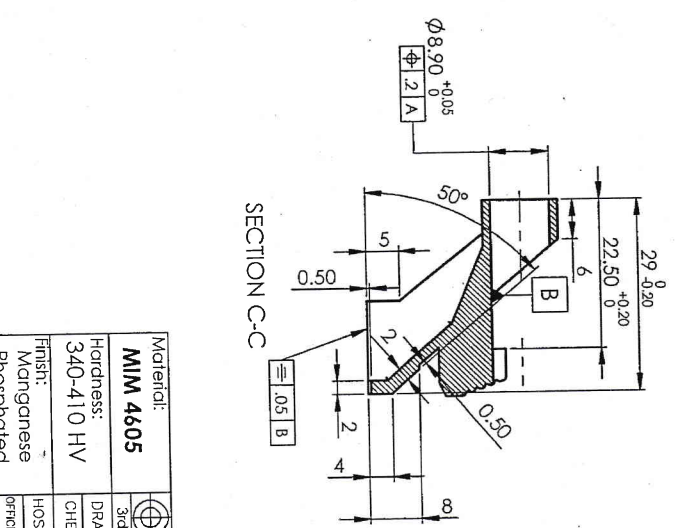
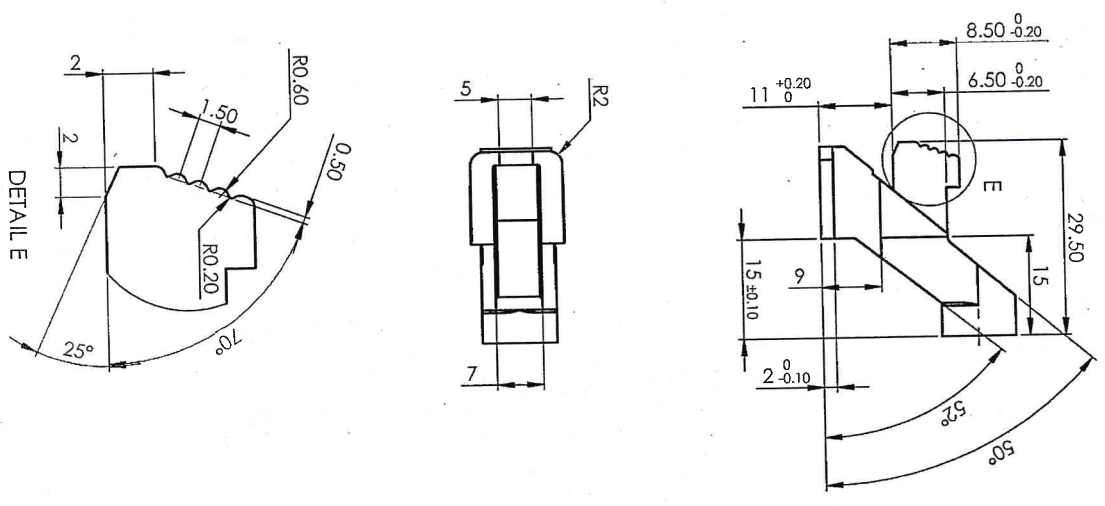
QIN CONTROLLED COPY

CERTIFIED CORRECT COPY
OF APPROVED DRAWINGS
AT THIS DATE

Design & Drawing Dept
Ordnance Factory,
Tiruchirappalli-620016

[Signature]
20/4/21

Note: - MAIN PART TO BE BRAZED
Pilot Sample to be get approved before bulk production



MIM 4605 Composition

Element	C	Mn	Si	Ni	Mo	Cr	S	P
Min	0.3	-	-	1.5	-	-	-	-
Max	0.6	0.5	0.5	2.5	0.5	0.5	0.05	0.05

Material: MIM 4605	3rd Angle	DWG Details	SUB: Retainer
Hardness: 340-410 HV	DRAWN: <i>[Signature]</i>	SIGN: <i>[Signature]</i>	DATE: _____
Finish: Manganeuse Phosphated	CHECKED: <i>[Signature]</i>	HOS/D&DO: <i>[Signature]</i>	FOR: Rear Guide Sub Assy. (K-2090)
Untolerated dimensions as per IS:2102 Medium	OFFICER/Inch: _____	OFFICER/DC: _____	OF: TIRUCHY ASSAULT RIFLE
PDM CONTROL	DV/DF/CF/100: <i>[Signature]</i>		DES. REF. NO. K-2091
			DWG. No.: MIM-K-2091-001
			ORDNANCE FACTORY TIRUCHIRAPPALLI-16.
			Wt. (approx) gm: 22.72
			SHEET: 1 OF 2