

SK-6520/TE

√ Rz 40 (1)

IRRPL CONFIDENTIAL  
COPY NO. 10

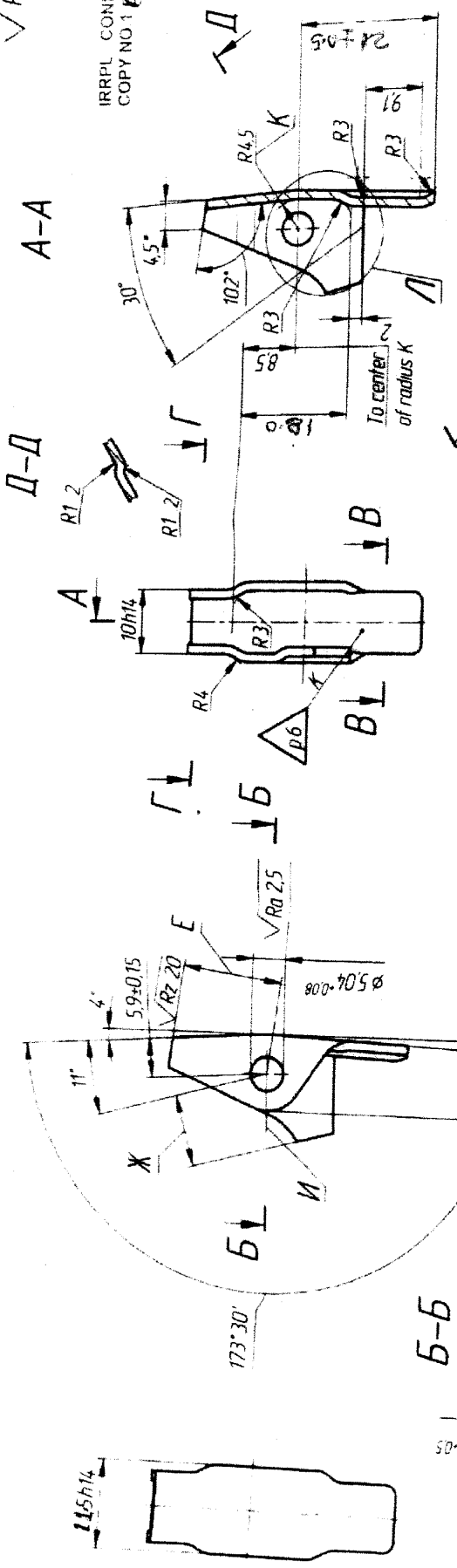
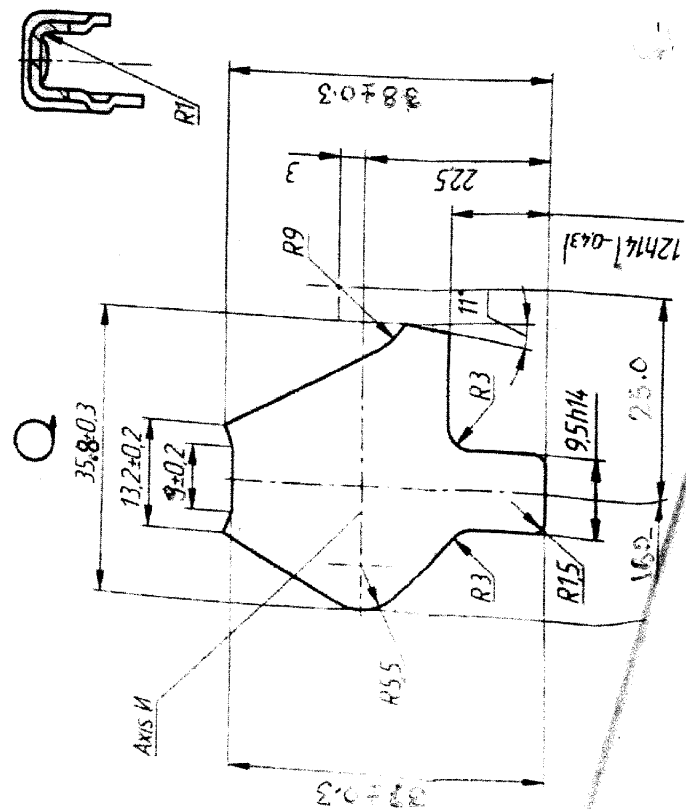
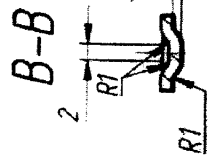
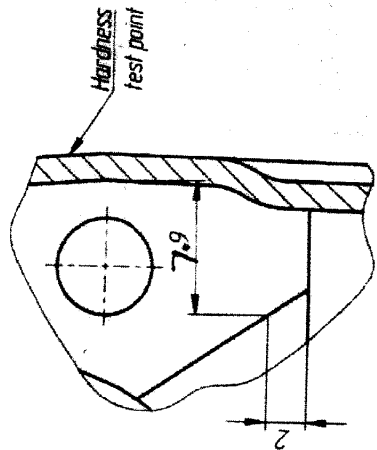


Table 1  
in millimeters

Dimension	Groups	
	1	Spare parts
Ж	10.3 <sup>-0.3</sup>	10.8 <sup>-0.3</sup>
Е	15.5 <sup>-0.15</sup>	15.7 <sup>-0.2</sup>

Material 38.5. 45.5 HRC At hardness test point local smoothing of surface is allowed at depth up to 0.1 mm.

- 2. 0.7. 2.2. Reference dimensions
- 3. Dimensions with unspecified limit deviations and developed dimensions or ensured by tool
- 4. Unspecified tolerances according to 6045-1(CT)/E2
- 5. Coating is Chem. Phos chr/impreg. with 5Ф-4 glue GOST 12172-2016 with nigrasine of grade A GOST 9307-78
- 6. Stamp according to 6045-1(CT)/E2



Strip 40P-C-1-14  
GOST 2284-79

DRAWN TRACED CHECKED

DATE

APPROVED

DIRG NO

SK-6520/TE

SMALL ARMS FACTORY  
KANPUR

SCALE  
1:1 NTS

7.62X39 mm AR SAF  
MAGAZINE LATCH