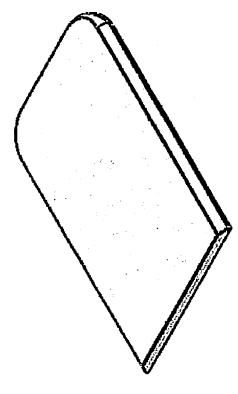
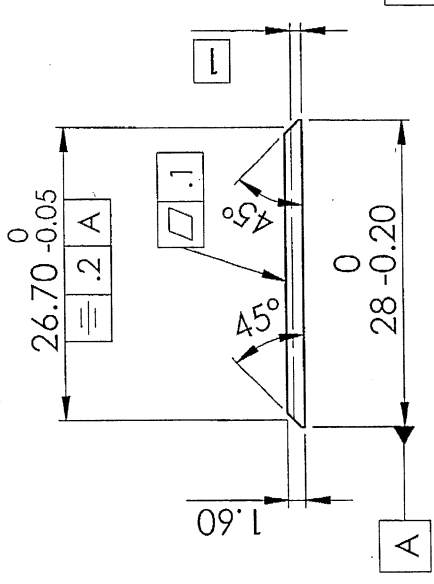
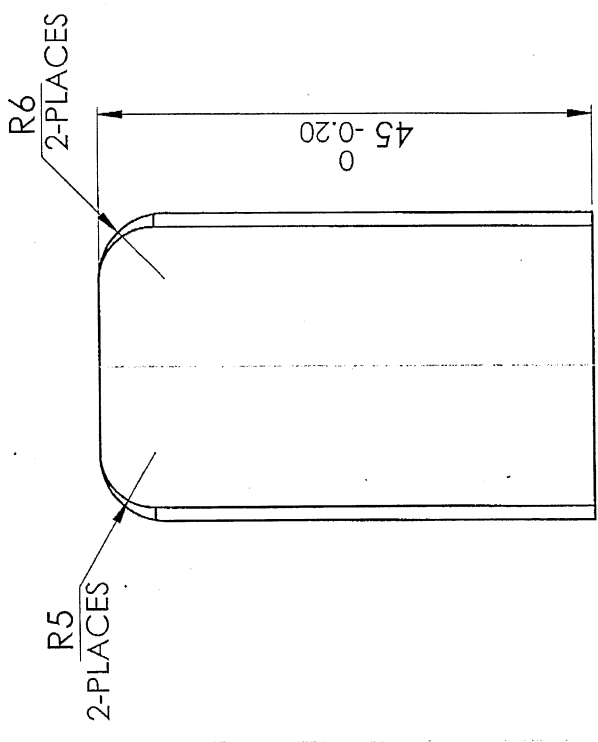


1 2 3 4 5 6



Material:
 Steel BS:1449 Pt.1 1983 Gr. CS40 Sec-4
 Steel BS:1449 Pt.1 1983 Gr. CS50 Sec-4
 Steel BS:1449 Pt.1 1983 Gr. CS60 Sec-4
 Steel BS:1449 Pt.1 1983 Gr. CS70 Sec-4
 Steel BS:1449 Pt.1 1983 Gr. CS80 Sec-4

Hardness:
 Hardened to tempered to 300-350 HV

Protective Finish:
 Phosphate to Specn. JSS 0465-01:1994
 Class II (Accelerated), Oil Finish
 Untolerated Dimension IS:2102 Medium

22/4/22

TRACED DRAWN CHECKED HOS/D&DO OFFICER/ PROD. DIV. OFFICER/ D&DO APPROVED ON. 07/02/2022	SIGNATURE & DATE. 	SUB: Lower Hand Guard Lock Plate FOR: Receiver Assy K-1100 OF: TRICHY ASSAULT RIFLE DES. REF. NO. K-3011 DRG. No.: TAR-K-3011*	SCALE NTS QPG 1 Weight (g) 15.02 (APPROX.) SHEETS: 1 SHEET No.: 1