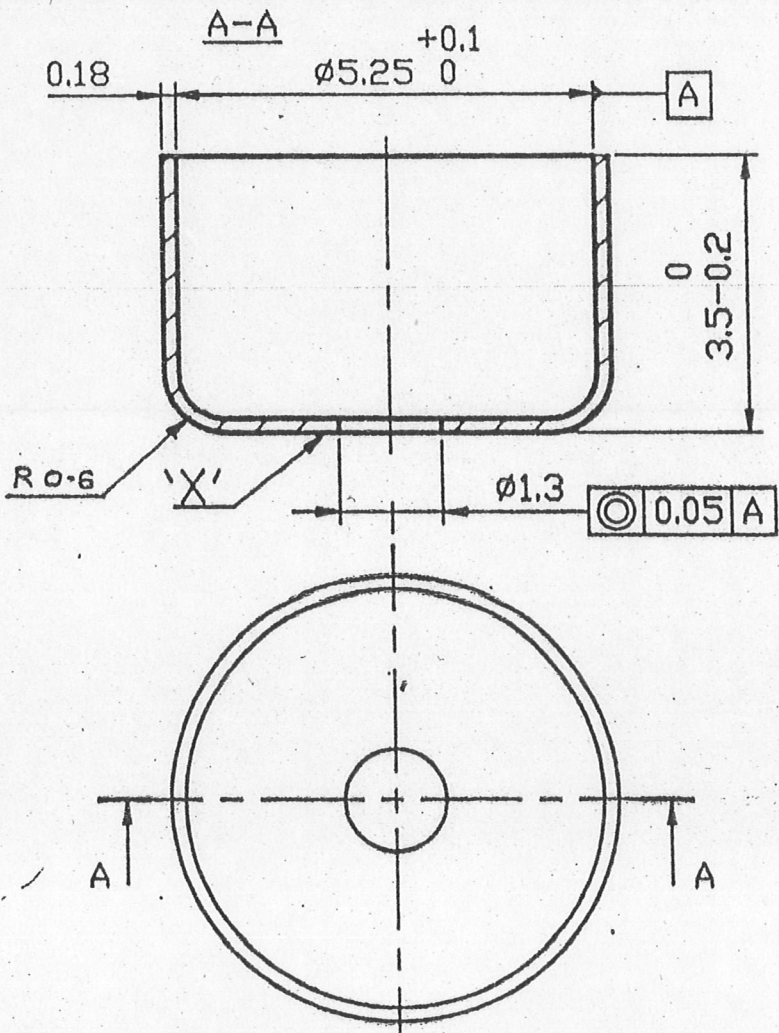


DRG.No. [9][1][0][2] [0][0] [0][3] [0][4] [1][1] [0][0][3] [0][0][1][B]

GEN.TOL.MEDIUM/G/BARSE/FINE CLASS TO IS:2102

DRAWING CONVENTION CONFORM TO INDIAN STD. DIMNS IN mm UNLESS OTHERWISE STATED.



NOTES:

- 1) DIMNS. APPLY AFTER PLATING.
- 2) BURRS/SHARP EDGES NOT PERMITTED.
- 3) SURFACE MARKED 'X' MUST BE FLAT & SQUARE TO THE AXIS

1	14-6-99		OUTSIDE R0.6 WAS INSIDE	B-1,2	<i>[Signature]</i>
R No.	DATE	AUTHORITY	BRIEF RECORD	ZONE	CD GO SIGN
DRN. SABLE	CHD. <i>[Signature]</i>		MATERIAL: STEEL SHEET TO SPEC. IS:513-1986 Gd.DD.		
APPD, DATE: 15/6/98 FOR DIRECTOR	SEALED DATE:		PROTECTIVE FINISH: TO BE ZINC PLATED TO SPEC. IS:1573 FeZn5 FOLLOWED BY CHROMATE PASSIVATION.		
SCALE: 10:1	EST.MASS: 0.11 g		TITLE: CAP SPRING STRIKER		
DESIGN AUTHORITY ARDE					
DRG.No. [9][1][0][2] [0][0] [0][3] [0][4] [1][1] [0][0][3] [0][0][1][B]					
PART No.	DS CAT No.		AHSP		