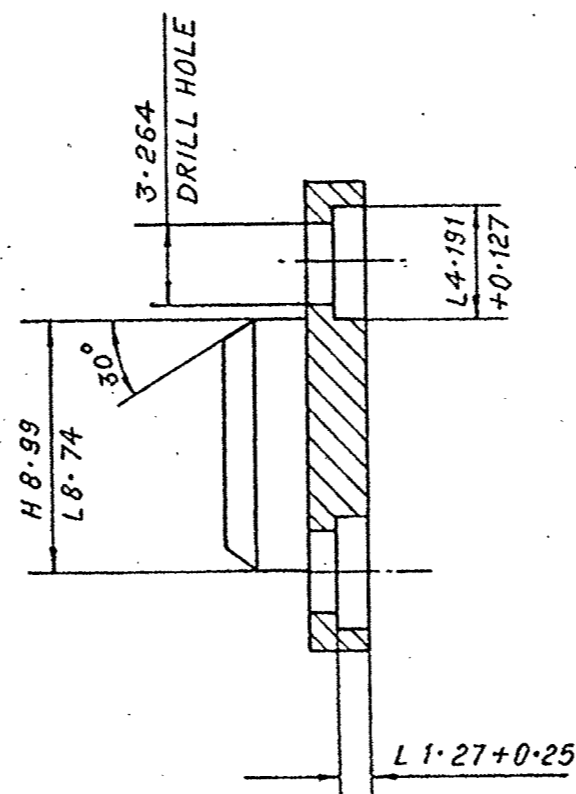
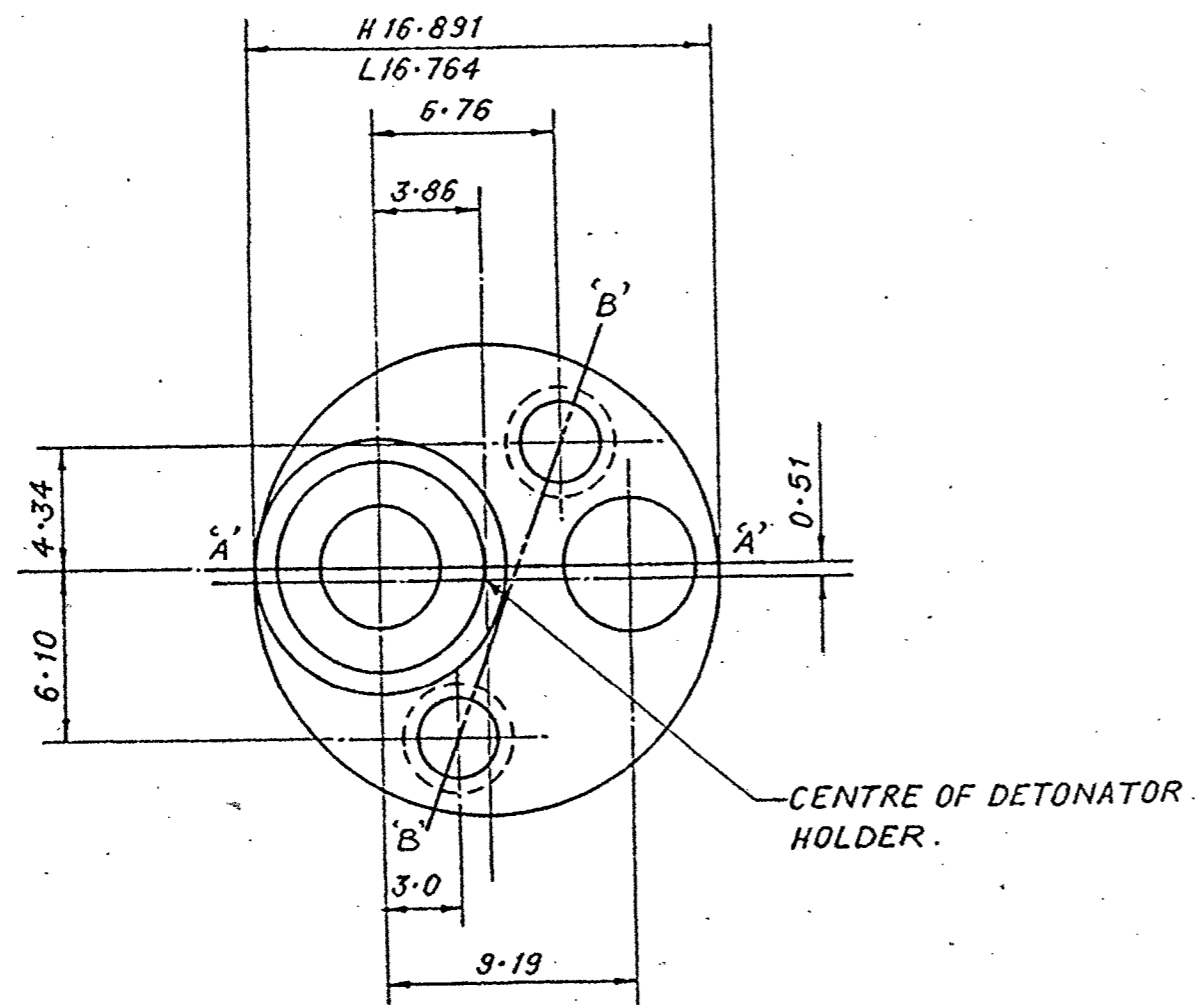
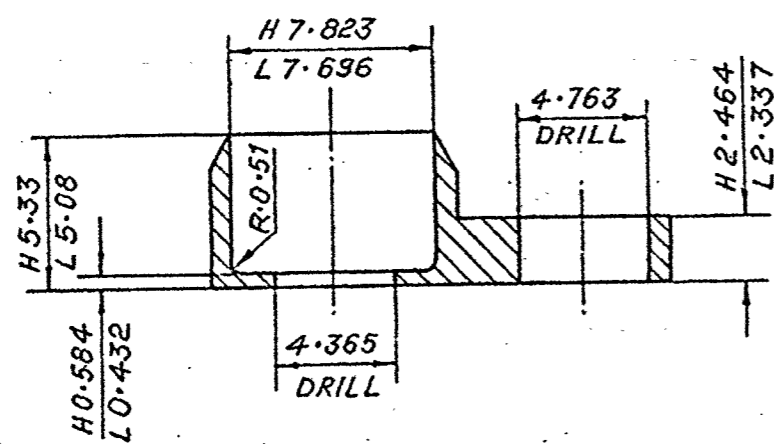


1971 X0
PART NO DIMENSIONS ARE IN MM

D.C.I. 25257-A



SECTION B B



SECTION A A

NOTES:-

TOLERANCE ON UNTOLERANCED DIMENSIONS
FOR ONE DECIMAL PLACE ± 1.3
FOR TWO OR MORE DECIMAL PLACES ± 0.13

TOLERANCE ON UNTOLERANCED ANGLE
FOR DEGREES $\pm 30'$
FOR DEGREE AND MINUTE $\pm 5'$

PROTECTIVE FINISH:-

TO BE TIN PLATED ALL OVER TO B.S. 1872 CLASS E
DIMENSIONS APPLY AFTER PLATING.

MATERIAL:-

BRASS BS 2874: 1969 C2 124
 $\frac{1}{2}$ H OR BS 2872: 1969 C2 123.

						DRN. SDI-	CHD. SDI-	TRD. HDW	COMP	ASSY. DRGS.
										QX 140 GE TO QX 145 GE
						C. D' MAN.	0 1/4 C. D. O.			SCALE:- A/H
						APPD.				EST. MASS:-
										GAUGE SCHD.:-
										DATE:- 1-6-55
										FOR C I (A)
R. NO	DATE	AUTHORITY	REVISION	ZONE	AHSP. D.O. SIGN.	MATL.:- AS ABOVE.				DESIGNER'S REF.
DRG. SEALED:- 17-1-53						PROTECTIVE FINISH:- SEE ABOVE.				55/7802/E/621
										PART NO
										QX 1251
										D.S. CAT. NO
										1390-000264
										AHSP.:- C.I.(A) KIRKKEE

HOLDER