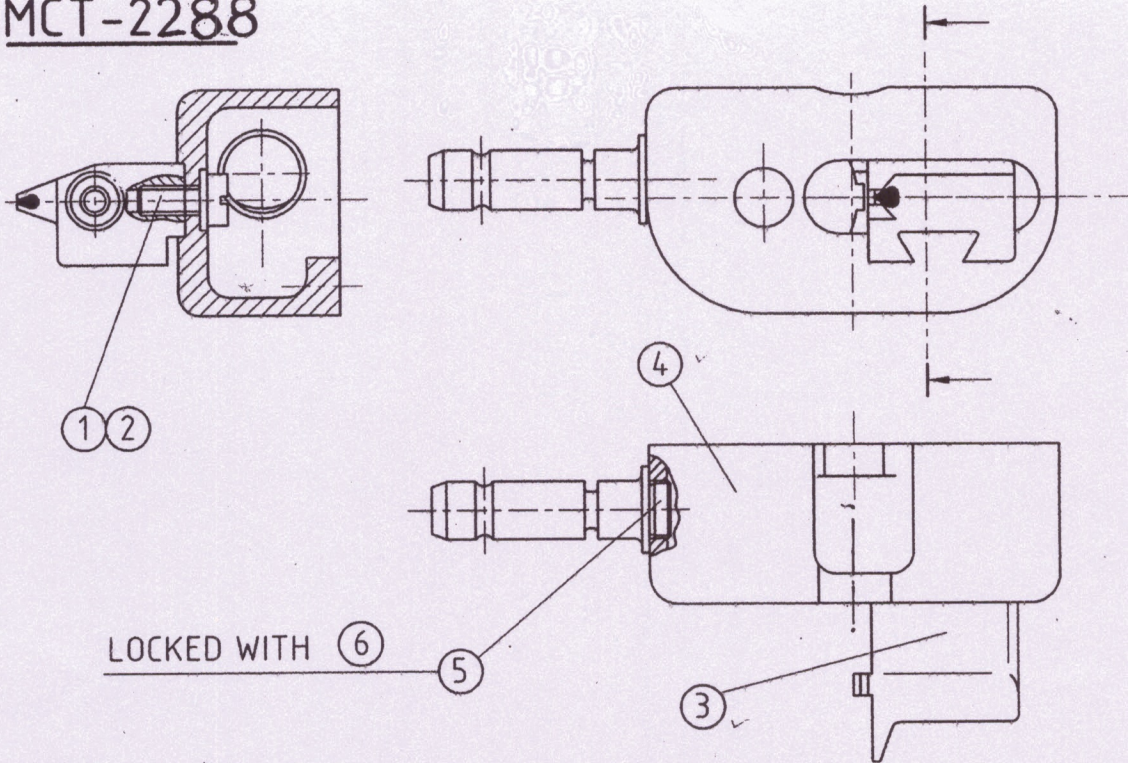


TELESCOPE SIGHT FOR 84 mm. CARL GUSTAV MK-III HOUSING ASSY.

557 (IN)

DRG. No.-
F1303-027122A

MCT-2288



LOCKED WITH (6) (5)

ITEM	QTY.	TITLE	DRAWING/REFERENCE	OTHER INFORMATION
1	1	CH. HD. SCREW M4x8-4.8	SS-ISO 1207	ALKALINE BLACKENED
2	1	SPRING WASHER/FBB 4.1	SMS 84	
3	1	CLICKER PLUNGER HOUSING	F1303-027102 <i>MCT-2290</i>	
4	1	HOUSING	F1303-027110 <i>MCT-2396</i>	
5	1	GUDGEON FOR KNOB	F1303-027091 <i>MCT-2397/1</i>	
6	REG	ADHESIVE		LOCTITE 270

ALL DIMENSIONS ARE MM.
IMPORTANT DIMENSIONS MARKED THUS ●
INFORMATION MARKED THUS † TO BE MARKED ON

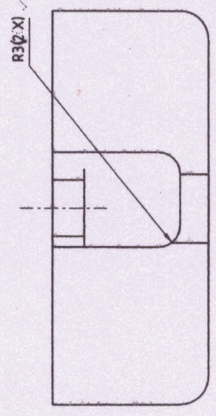
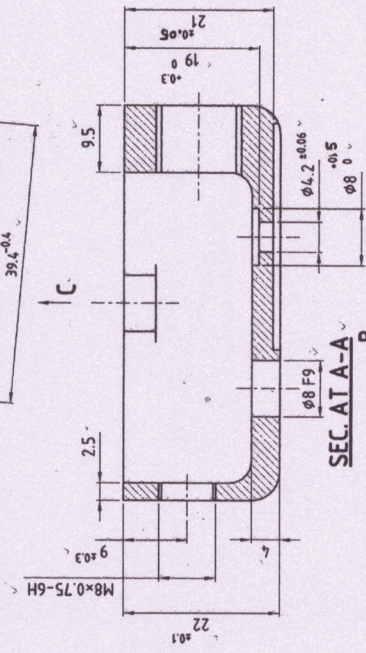
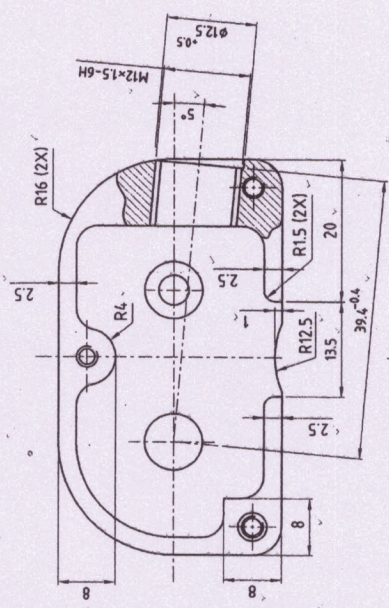
FOR TRADE USE
Date of Issue: 18/12/2006

	DR.- R.K.SHARMA	DT.- 18.8.06	SCALE- 1:1
	TR.-	MATL. AS ABOVE	TREAT. —
	CH. <i>@Hondani</i>	SHTS.- 1	SHT. NO.- 1
AMENDMENTS.	APPROVED.	DRAWING No.- MCT-2288	
OFD/DO/002	<i>Fiosw</i> IC/DO.		
	DGM/P.		

ORDNANCE FACTORY, DEHRADUN.

MCT-2396

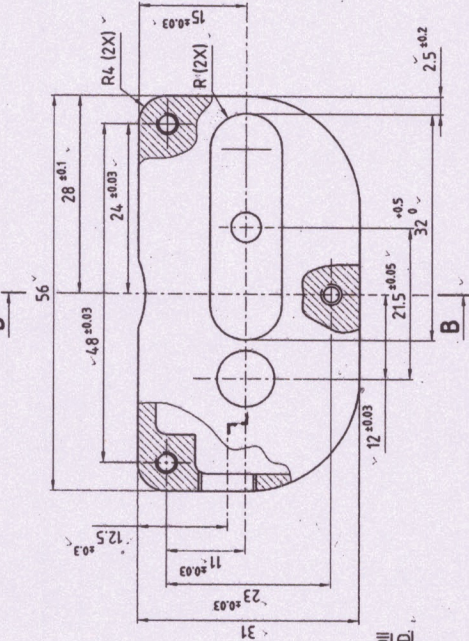
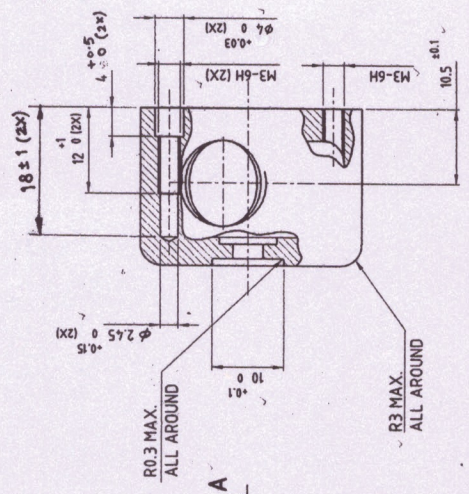
FOR TRADE OIM
Date of Issuance: 11/11/2006
Ry-



VIEW C

SEC. AT A-A

MATL.- SS AI 4338-06 alt EN 755-2, AW-AI 2014-T6.
TREAT- ANODIZED CLASS 15 TO SS-EN 12373-1
COLOUR: BLACK



SEC. AT B-B

R3 APPLIES TO ALL INTERNAL RADII
WHERE NOT OTHERWISE STATED.

SEC. AT B-B

ALL DIMENSIONS ARE IN MM.

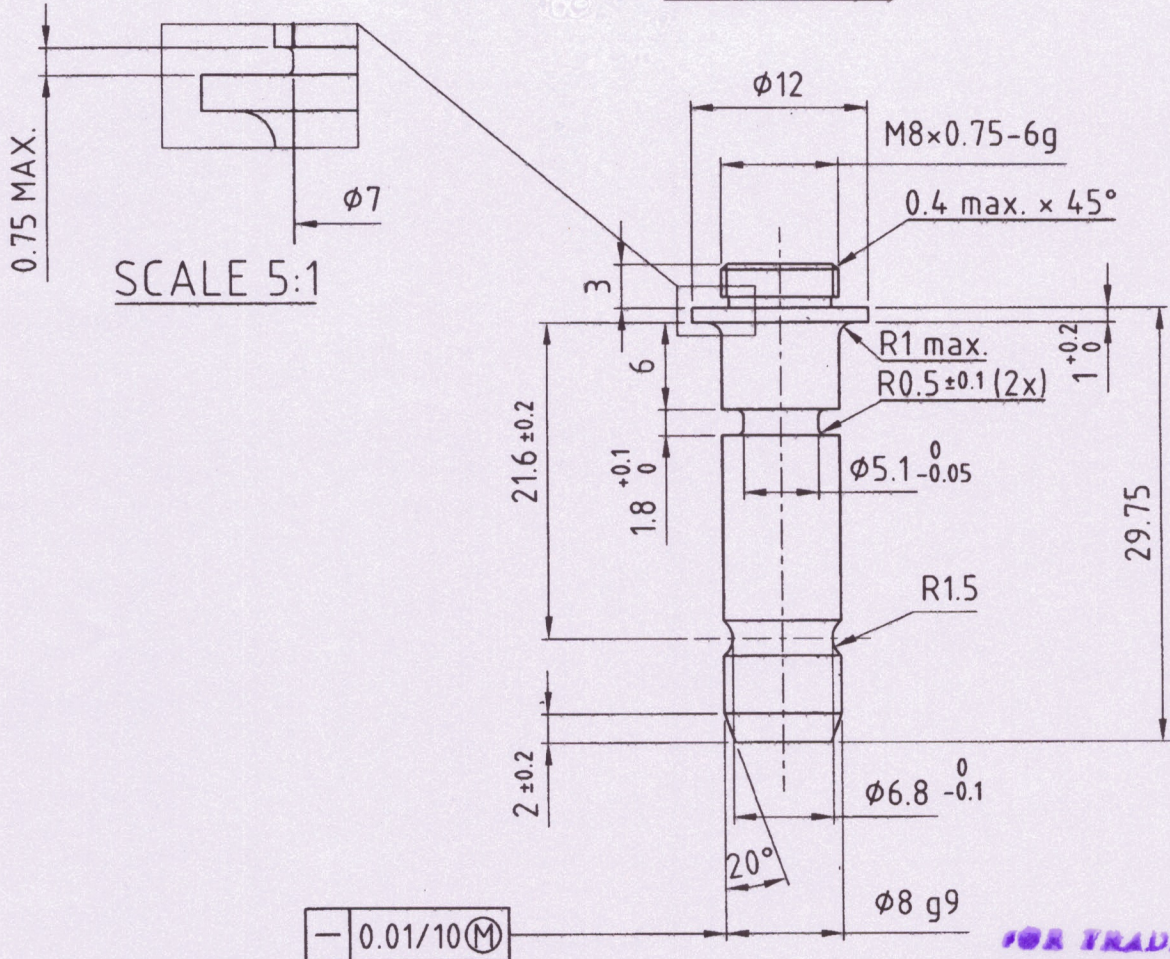
ORDNANCE FACTORY DEHRADUN	DR.- R.K. SHARMA	DT.- 27.07.2006	SCALE.- N.T.S.
	TR.-	MATL. AS ABOVE	TREAT. AS ABOVE
IC/DO. <i>fiosw</i>	CH.- <i>Chandran</i>	SHTS.- 1	SHT. NO.- 1
	APPROVED. <i>fiosw</i>	DRAWING NO.- MCT-2396	
DGM/P.		AMENDMENTS. OFD/DO/002.	

TELESCOPE SIGHT FOR 84 mm. CARL GUSTAV MK-III
HOUSING
557 (IN)

TELESCOPE SIGHT FOR 84 mm. CARL GUSTAV MK-III GUDGEON FOR KNOB

DRG. No.-
F1303-027091C

MCT-2397/1



- 0.01/10 (M)

FOR TRADE ONLY
Date of Issue 14/12/2010
Raj

MATL.- IS: 5317-93 STEEL DESIGN 40 Ni 6 Cr. 4 M 03

FINISH :- NITROCARBURIZED FZ min 15 μm, max 20 μm OXIDATION-TREATED.

ALL DIMENSIONS ARE MM.
IMPORTANT DIMENSIONS MARKED THUS ●
INFORMATION MARKED THUS † TO BE MARKED ON.

	DR.- R.K.SHARMA	DT.-17.8.06	SCALE- 2:1
	TR.-	MATL. AS ABOVE	FINISH AS ABOVE
	CH. <i>Sharma</i>	SHTS.- 1	SHT. NO.- 1
DA. No 18/2014 Dt 16/10/14	APPROVED.	DRAWING No.- MCT-2397/1	
AMENDMENTS.	<i>Sharma</i>		
OFD/DO/002	IC/DO. DGM/P.		

ORDNANCE FACTORY, DEHRADUN.