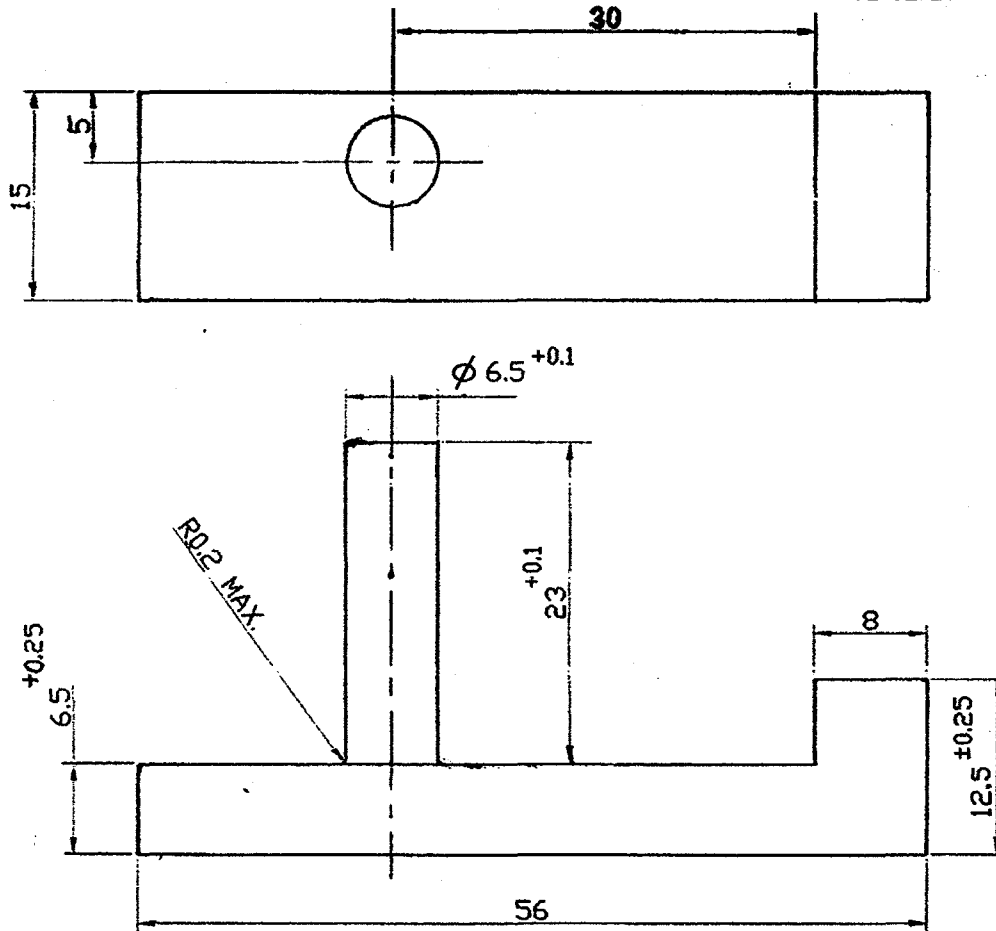


RFI SK 8035 \*3

D.C NO.  
02/02/10  
02/01/11  
02/02/17

DATE  
20-05-2010  
22-11-2011  
19-07-2017



NOTE:-

MATERIAL:- IS:3748, 1990 DESIGNATION 75 T6

HARDNESS:- (200-230) HB MAX.

JWM/MPM

19-07-2017

(R)

SEEN & O.K

*[Signature]*  
25/11/11  
JWM/PS

MATERIAL:- SEE NOTE

ALL DIMENSIONS ARE IN MILLIMETRE  
IMPORTANT DIMENSIONS MARKED THUS ⊕  
INFORMATION MARKED THUS † TO BE MARKED ON

TITLE OF	OPERATION	2011	NAME	DATE
BLANK OF LEVER SLIDE LOCKING (FOR CNC)		DGN.		
		DRN.	R.CHAKRABORTY	25/11/11
ORDNANCE FACTORY BOARD RIFLE FACTORY ISHAPORE		SCALE	CKD.	
		2:1	APPD.	<i>[Signature]</i> 26/11/11

PISTOL AUTO 9mm 1A  
LEVER SLIDE LOCKING  
(D.S CAT NO. 1005-003189)

DRG.NO-  
RFI SK 8035 \*3  
SHEET 1 OF 1