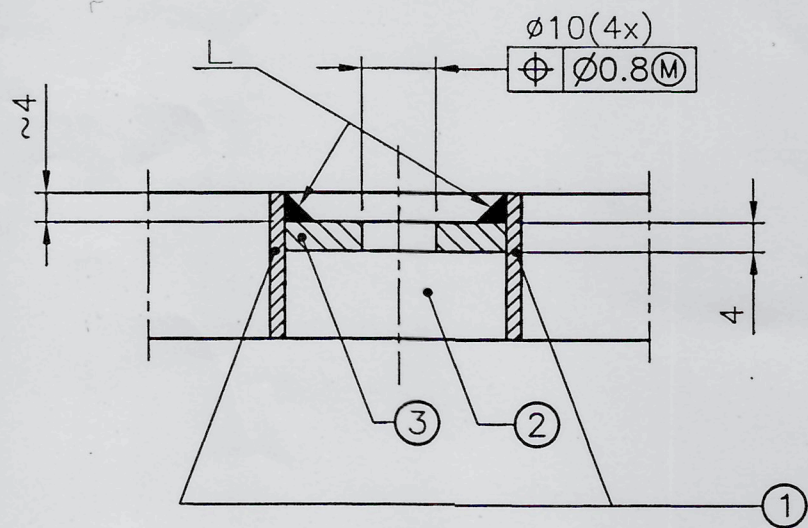


SHARP EDGES BROKEN 0.5-1



P.No.	NOMENCLATURE	No.OFF	MATERIAL	HARDNESS	STANDARD	SIZE	REMARKS
3	PLATE-3	4	⊙	-	-	30x26x4	-
2	PLATE-2	9	⊙	-	-	20x2x425	-
1	PLATE-1	15	⊙	-	-	20x2x250	-

GEN. TOL. NOT SPECIFIED		INDEX		AMENDMENTS		SIGN		DATE		APPROVED	
LINEAR DIMENSIONS										FOR ED G.C.Fy.	
0-6	±0.1									2023	NAME
6-30	±0.2									DRN.	MA
30-120	±0.3									CKD.	10/14/23
120-315	±0.5										
315-1000	±0.8										
1000-2000	±1.2										
ANGULAR DIMENSIONS											
0-10°	±1'										
10-50°	±30'										
50-100°	±20'										
>100°	±10'										

GRILLE

GUN CARRIAGE FACTORY, JABALPUR

MATERIAL	
SCALE	REF.DRG.NO.
ASSY/SUB ASSY NO. 1155267	
DRG. No. 5 182 528	
SHEET NO. OF SHEETS	

@ - IS : 2062 - 2011, Gd. E350A, Killed

NOTE - ALL JOINTS TO BE WELDED THROUGH TIG/MIG WELDING
SURFACE TREATMENT Y3-11, Y4-26-10-600

!!THIS DRG. IS MADE IN SUPERSESSON TO EARLIER VERSION OF DRG. DATED 21/03/2016 WITH SAME NUMBER !!