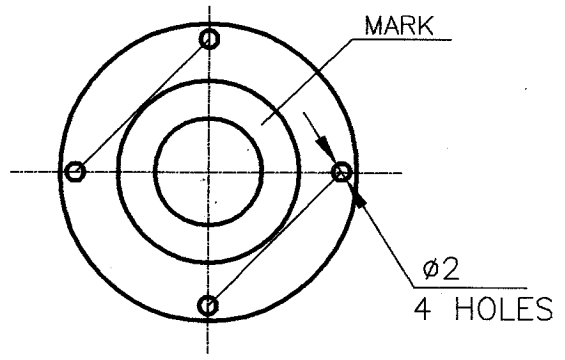
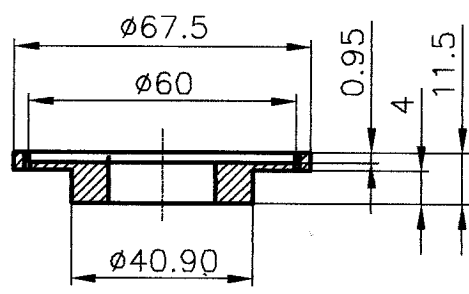
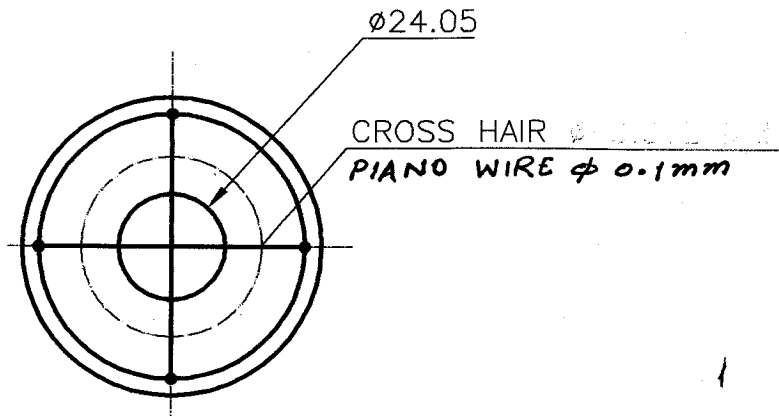


DIMENSIONS ARE IN mm.  
 UNTOLERATED DIMNS. AS PER IS : 2102 (MED)  
 MARK DRAWING No.



1	CROSS HAIR BORE SIGHT	1	NYLON-6 WHITE	-	-
PART NO.	DESCRIPTIONS	NO OFF	MATERIAL	TREATMENT	REMARKS
	SIGNATURE & DATE.	SUB: <b>CROSS HAIR BORE SIGHT</b>			SCALE NTS
	TRACED	FOR: <b>TOOLS &amp; ACCESSORIES</b>			STORE DRG.NO.
	DRAWN <i>S. Venkatesh</i>	OF: <b>40 mm MIGL</b>			OPERATION NO.
	CHECKED <i>S. Venkatesh</i>	DES. REF. NO.			
	OIC/D&DO <i>S. Venkatesh</i> 10/12	<b>DRG. No.: 30 T 1700 004 B4</b>			SHEETS: 1
	OFFICER/PRODN.	ORDNANCE FACTORY TIRUCHIRAPPALLI-16.			SHEET No.: 1
	OFFICER/D&DO				
AMENDMENTS	SIG. & DATE	APPROVED ON.	12/2007		

DA. No. 04/17  
 dt. 20/11/17