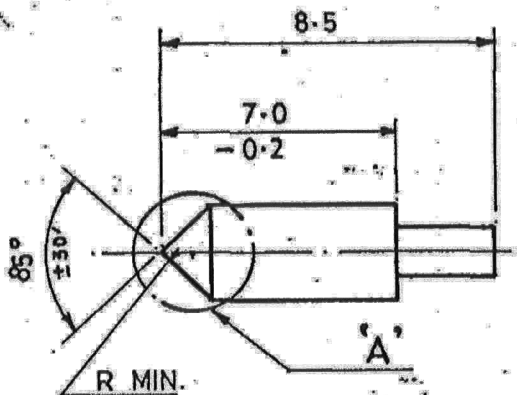


5315-009567

ON DRAWING CONVENTIONS CONFORM TO J56-0104
 DIMNS. ARE IN mm. GEN. TOL. 'MEDIUM' IS: 2102

MARKING (SUITABLY) ON SAMPLE / TAG

Yr. Of Mfg.
 MANUFACTURER'S CODE
 D.S. CAT. NO.



H.T./HARDNESS :-
 TIP MARKED AT 'A' TO BE
 HARDENED TO 350-400 H.V.

NSN: B1/5315-72-0000567

08.09.16	26929-SA	MATERIAL AMENDED.		<i>RKS</i>	<i>SSO</i>
24-8-08	26461-SA	NSN: ADDED		<i>RKS</i>	<i>SSO</i>
12-12-97	23981-SA	PROFORMA CHANGED, NEG. RE-TRACED, MARKING NOTE ADDED AND DRG. PROV. RE-SEALED		<i>Ans</i>	<i>SSO</i>
		PREVIOUS DC NO 23787 SA.			COPY
DATE	AUTHY.	BRIEF RECORD	ZONE	I/C: D.O.	G.O.
SEALED:- PROV. DC. NO. 23787-SA, DT. 28.3.97.					SIGN.
DRN.	CHD.	TRD. <i>S. Chandra</i>	COMP. <i>M. Banerji</i>	AHSP CQA(SA), ICHAPURE	
SCALE:- 5:1		EST. MASS		ASSY. 5360-007378	
DT. 12-12-97	<i>Ans</i> I/C: D.O.	APPROVED DT 6.2.85. NEG. RE-TRACED			
MATERIAL :- IS: 5517-1993; DESIGNATION 55 CB.				DGNR'S REF. ARDE SK.2992/4	
H.T/HARDNESS :- AS STATED				PART NO.	
PROTECTIVE FINISH				DRG. NO.	
NOMENCLATURE :- PIN SHOULDER HEADLESS				D.S. CAT. NO. 5315-009567	

425