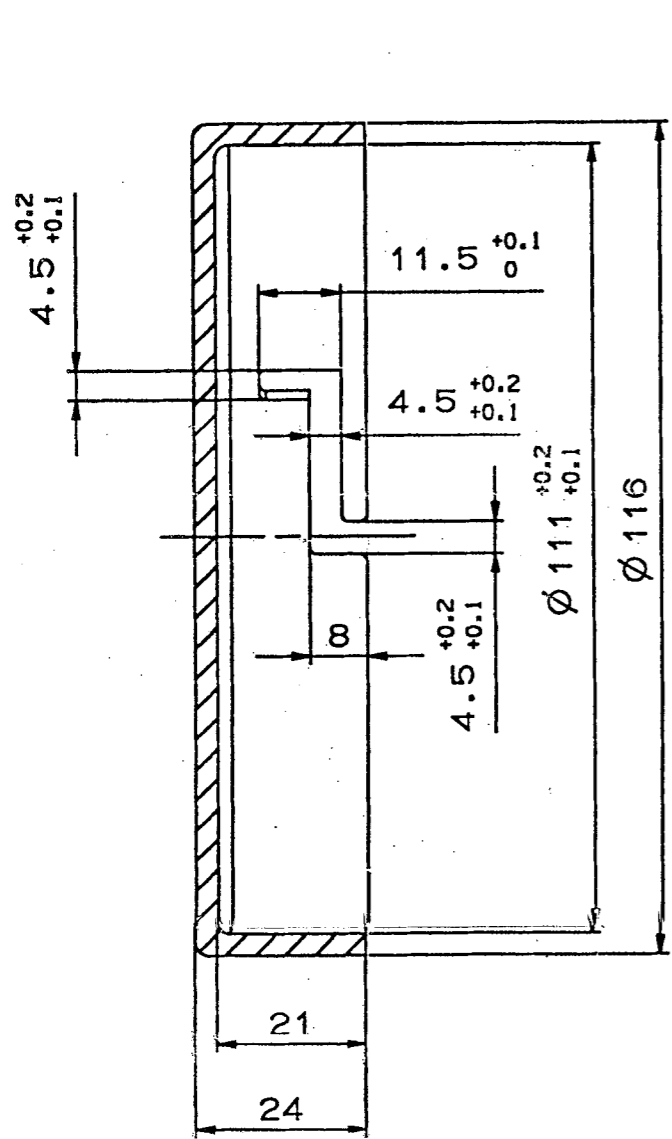
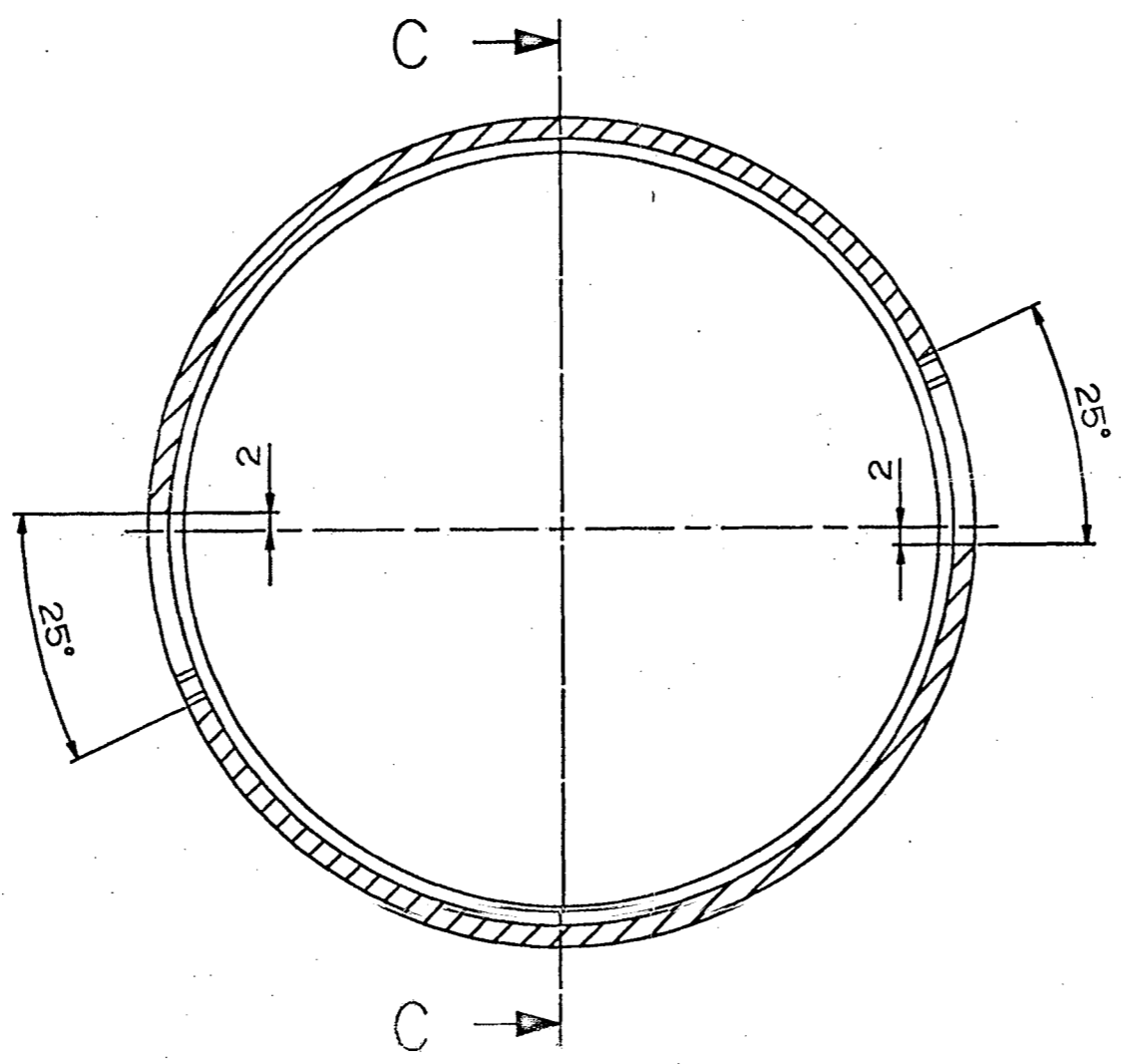


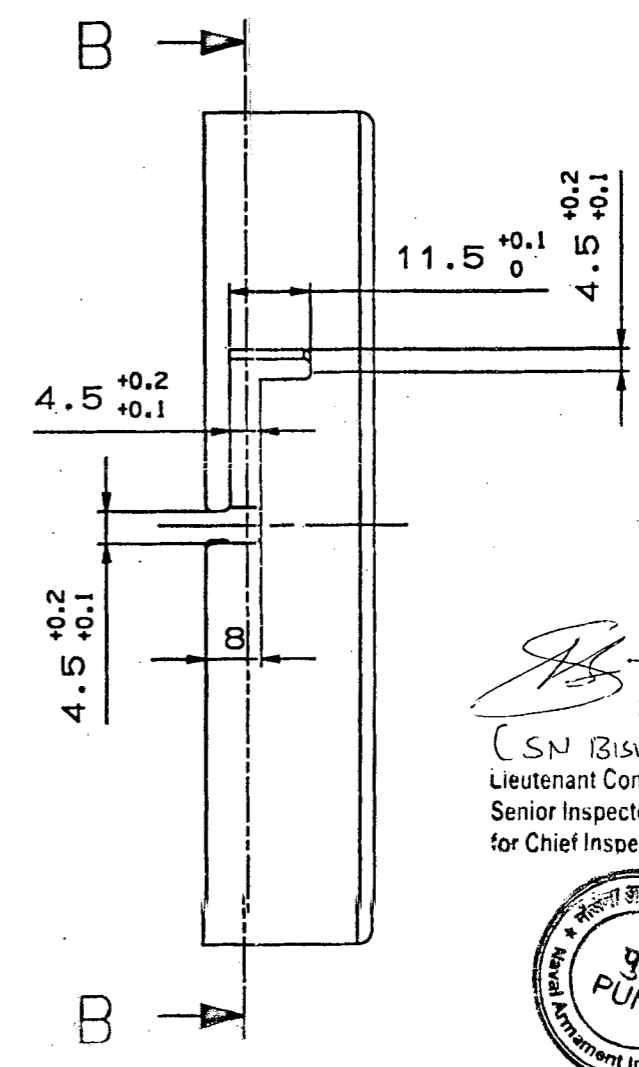
NOTE : ALL UNSPECIFIED RADII ARE 1mm



SECTION C-C

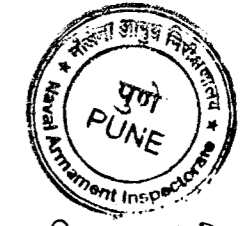


SECTION B-B

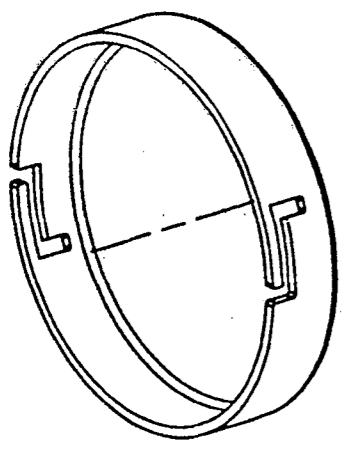


B

*(Signature)*  
 29 sep 2020  
 (SN BISWAS)  
 Lieutenant Commander  
 Senior Inspector of Naval Armament  
 for Chief Inspector of Naval Armament



APPROVED



\*\* PAINTING  
 PAINTING TO BE DONE AS PER DW-1134  
 TO BE DONE IN MTPF

1	TUBE COVER-SRCR		AISI 316		**	
No.OFF	DESCRIPTION	PART No.	MATERIAL	STANDARD	DIMENSIONS	REMARKS
<b>GENERAL TOLERANCE</b>						
<b>LINEAR DIMENSIONS</b>						
0-6	±0.1					
6-30	±0.2					
30-120	±0.3					
120-315	±0.5					
315-1000	±0.8					
1000-2000	±1.2					
<b>ANGULAR DIMENSION</b>						
1-10	±1°	No.OFF	DRG. No. OF ASSOCIATED PART	INDEX	ALTERATION	DATE NAME
10-50	±30'					
50-100	±20'					
>100	±10'					
<b>VALUE IN "Um"</b>						
~	>25					
▽	8-25					
▽▽	1.6-8					
▽▽▽	0.025-1.6					
▽▽▽▽	<0.025					
TUBE COVER-SRCR LAUNCHER ASSY. SRCR LAUNCHER KAVACH MOD-II				SCALE	DRAWN	28.01.20 VIJAY
				1:1	CHECKED	
					APPROVED	
				REPLACED BY	REVISION III	
				REPLACED FOR		
MACHINE TOOL PROTOTYPE FACTORY, AMBERNATH				Design Office	DRAWING No. DW-1109-1010-13	

THE COPYRIGHT OF THESE DRAWINGS AND ATTACHMENTS TO THE INDIAN ORDNANCE FACTORIES, MINISTRY OF DEFENCE, GOVT. OF INDIA THEY SHOULD NOT BE COPIED, RE-PRODUCED IN ANY WAY OR THE INFORMATION CONTAINED THEREIN MADE AVAILABLE TO UNAUTHORISED PERSONS WITHOUT THE WRITTEN PERMISSION OF THE DIRECTOR OF ORDNANCE FACTORIES.

NOMINAL SIZE & FIT	DEVIATION

DRAWING APPROVED vide NAF(P) Letter no- PF/2061, dated 28/9/20