

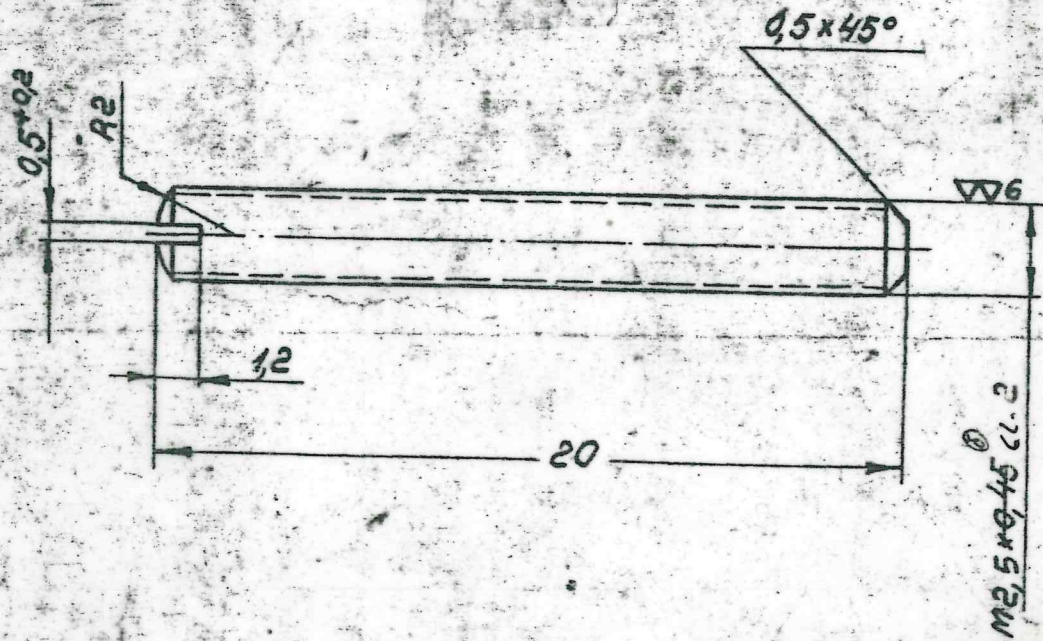
82-85-LIFE

Regist. No

Ym Bergun

W5 / W6

Tolerances on free dimensions are as per 722AT.



Coating :- Chemical passivation.

SNO	SHEET	DOCNO	SIGN	DATE
DRAWN BY	Y.R.Ganesh			9.5.84
EDITED AND CHECKED BY	D.K.JAIN			24.5.84
FOREMAN OF DC	S.H.RAO			2/6
DIVISIONAL OFFICER	D.A.			2/6
	NAME	SIGN	DATE	

SPECIAL SCREW

Wire KAHT  $\rho$ c59-1  
GOCT 1066-75

8347-53-28

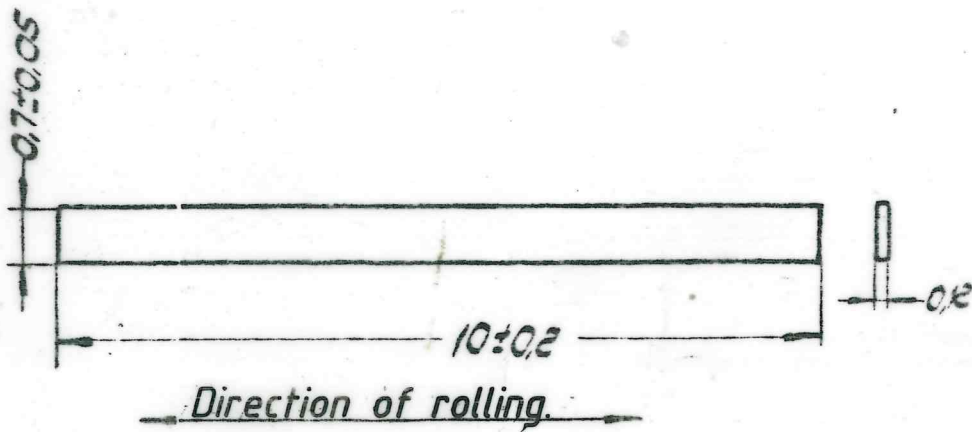
SHEETS	WEIGHT	SCALE
02	2.03	1:1
TOTAL SHEETS		
ORDNANCE FACTORY PROJECT HYDERABAD		



100 12 90 692

All over.

209



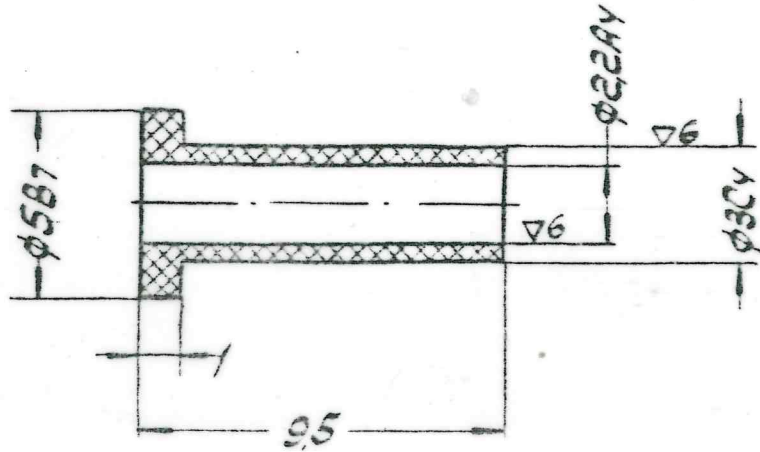
SLNO	SHEET	DOCNO	SIGN	DATE
DRAWN BY		BHUSHAN		18.5.84
EDITED AND CHECKED BY		D.K. JAIN		17.5.84
FOREMAN OF DC		SHRABO		2/6
DIVISIONAL OFFICER		D.A. ...		2/6
NAME		SIGN	DATE	

**SPRING.**

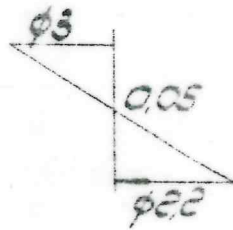
Band Д, П P no. 0.12 Bro  $\phi$   
6.5-0.15 GOST 1761-79

269.06.21.001

SHEETS	WEIGHT	SCALE
		10:1
TOTAL SHEETS		
ORDNANCE FACTORY PROJECT HYDERABAD		



Eccentricity



Tolerances on free dimensions are as per 722AT.

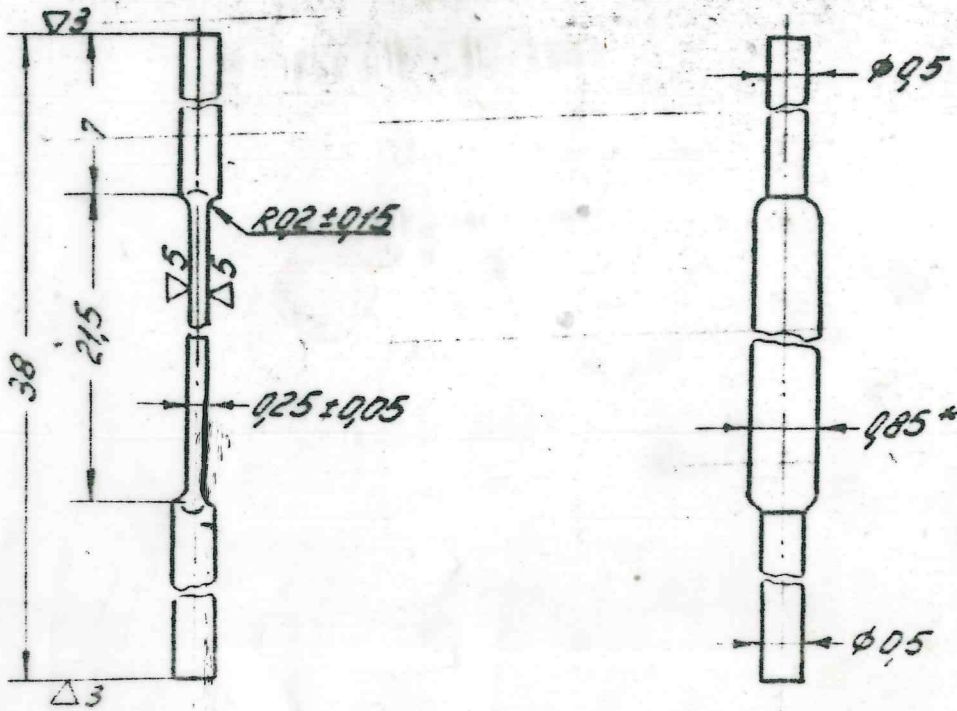
SLNO	SHEET	DOCNO	SIGN	DATE	<p><b>BUSH.</b></p> <p>Texlolite rod of <math>\phi 8</math> GOST 5385-74</p>	269 06.15 001		
DRAWN BY	BHUSHAN			18.5.84		SHEETS	WEIGHT	SCALE
EDITED AND CHECKED BY	D.K. JAIN			19.5.84				5:1
FOREMAN OF DC	S.H. Rao			2/6		TOTAL SHEETS		
DIVISIONAL OFFICER	D.A. JAIN			2/6		ORDNANCE FACTORY PROJECT HYDERABAD		
	NAME	SIGN	DATE					



9A7 027 001

2

Unless otherwise specified



\* Dimensions is given for reference.

Coating :- Chemical passivation.

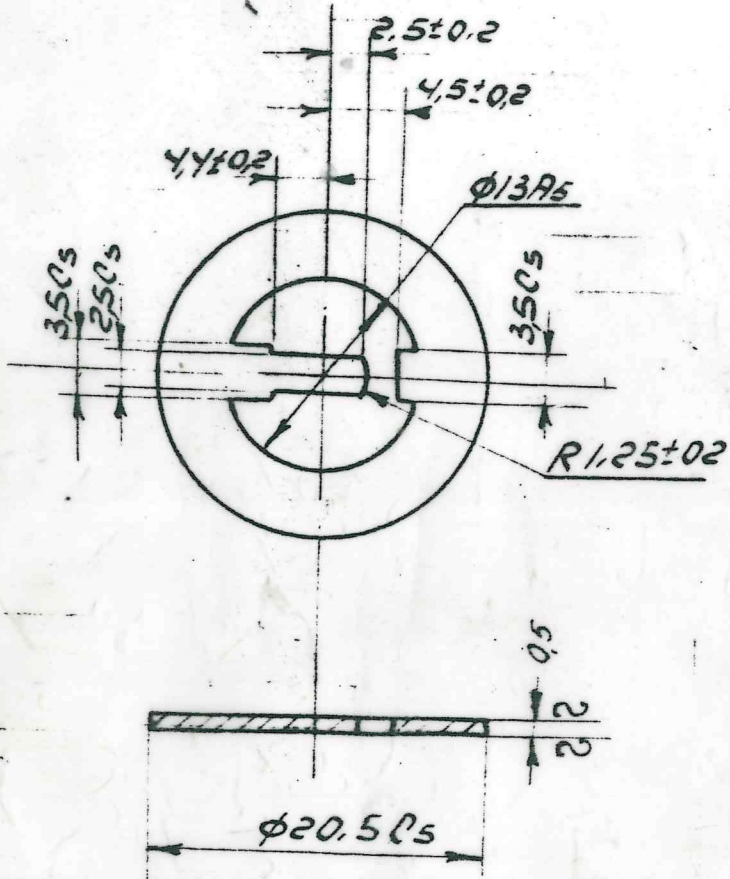
SLNO	SHEET	DOCNO	SIGN	DATE
DRAWN BY	Y.R.Ganesh			9.5.89
EDITED AND CHECKED BY	D.K. JAIN			24.5.89
FOREMAN OF DC	S.H.RAO			31/5
DIVISIONAL OFFICER	D.A. JAIN			21/5
	NAME	SIGN	DATE	

INDEX

D K P H M 0,5 N63  
FOCT 1066-75

9A7.027.001		
SHEETS	WEIGHT	SCALE
A	0.06 ± 10%	
TOTAL SHEETS		
ORDNANCE FACTORY PROJECT HYDERABAD		





1. Perform rounding radius with R0.6.

Coating: O.BU (98,8) 9.

D-130-217

SLNO	SHEET	DOCNO	SIGN	DATE
DRAWN BY		P.R.BABU		16.5.04
EDITED AND CHECKED BY		D.K.JAIN		18.5.84
FOREMAN OF DC		S.H.RAO		31/5
DIVISIONAL OFFICER		D.A.MA		31/5
NAME		SIGN	DATE	

CONTACT

Band ДПРП10.5  
0Φ6.5-0.15 ГОСТ 1761-79

917 732 003

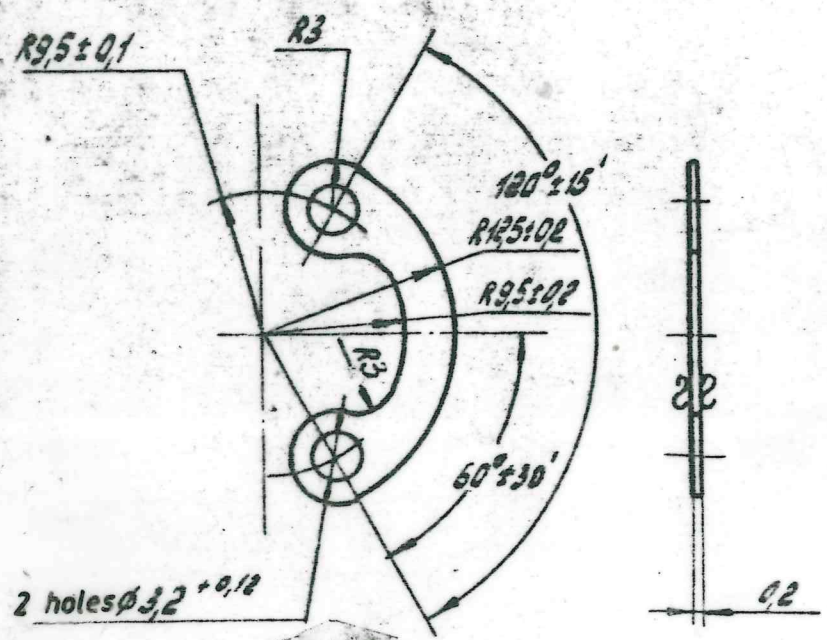
SHEETS	WEIGHT	SCALE
A/	1.3g	2:1
TOTAL SHEETS		
ORDNANCE FACTORY PROJECT HYDERABAD		

D130-217



352.10.00.003

▽4 Unless otherwise specified.



1. Burrs are not allowed.  
Coating: Chemical passivation.

352.10.00.003

SNO	SHT	DOC NO	SIGN	DATE
DRAWN		P.R.BABU		16.5.04
EDT & CHKD		D.K. JAIN	<i>[Signature]</i>	17.5.04
F/M, DC.		S.H. RAO	<i>[Signature]</i>	2/6
DIV. OFFR				
		NAME	SIGN	DATE

# GASKET

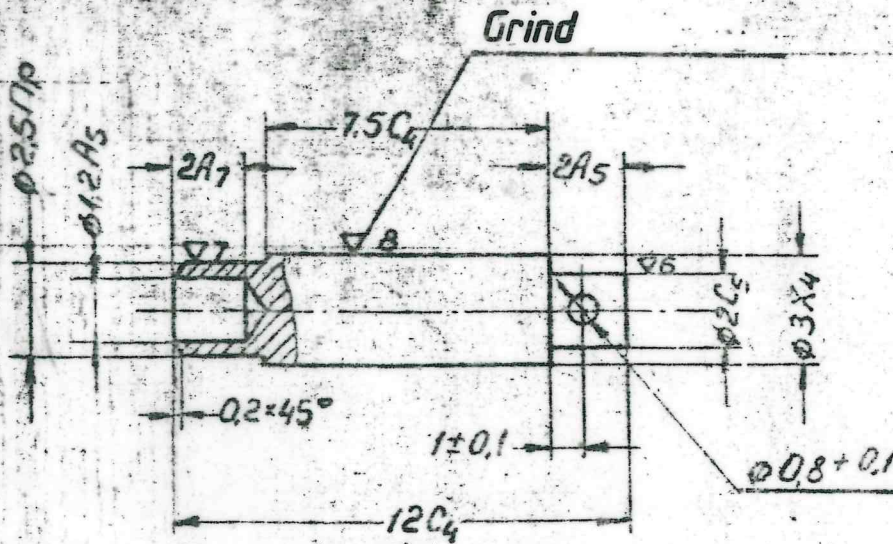
Band ДПРHT 0.2 лс 59-1  
GOST 2208-75.

SHEET	WEIGHT	SCALE.
A	0.140	2:1
TOTAL SHEETS		
ORDNANCE FACTORY PROJECT HYDERABAD		



18-046

▽5 Unless otherwise specified.



SLNO	SHEET	DOCNO	SIGN	DATE
DRAWN BY	P.R.BABU			14.5.84
EDITED AND CHECKED BY	D.K.JAIN			17.5.84
FOREMAN OF DC	S.H.RAO			2/6
DIVISIONAL OFFICER	D.A. SANKAR			2/6
	NAME	SIGN	DATE	

POST

Steel 12x18H9T.  
Heat treatment  
TY 14-1-378-72.

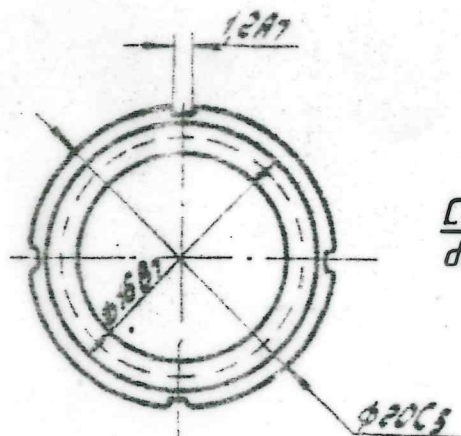
940-81

SHEETS	WEIGHT	SCALE
	0.5	5:1
TOTAL SHEETS		
ORDNANCE FACTORY PROJECT HYDERABAD		

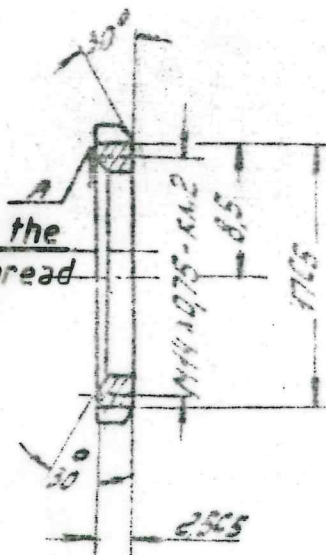


04-956

▽5



Chamfer to the depth of thread



1. End play of surface 'A' with respect to thread M14x0.75 should not exceed 0.05.  
Coating: Chemical oxidation.

953-40

SNO	SHT	DOC NO	SIGN	DATE
DRAWN		P.R.BABU		16.5.84
EDT & CHKD		D.K. JAIN	<i>[Signature]</i>	17.5.84
F/M, DC.		S. H. RAO	<i>[Signature]</i>	2/6
DIV. OFFR		D.A. BASU	<i>[Signature]</i>	2/6
		NAME	SIGN	DATE

LOCK NUT

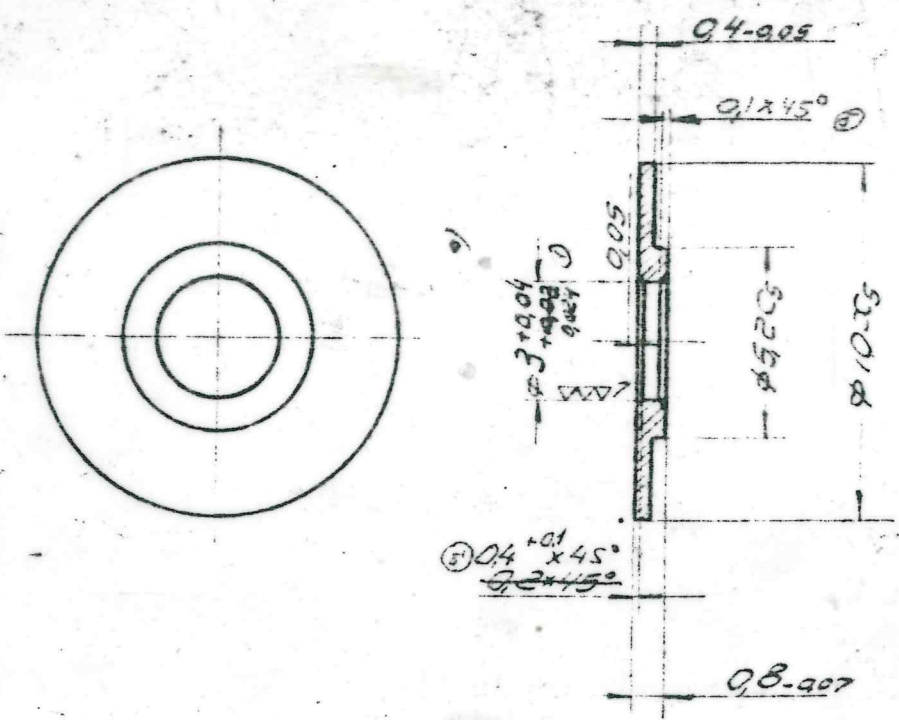
Steel 20 sheet 3  
GOST 16523-70.

SHEET WEIGHT SCALE.

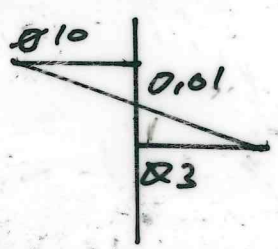
2g 2:1
TOTAL SHEETS
ORDNANCE FACTORY PROJECT HYDERABAD



W6 Unless otherwise specified.



ECCENTRICITY



Material: sheet ДПРНТ.1 Лс 59-1 GOST 931-78.  
sheet ДРПНП-1 Лс 59-1 GOST 931-78 may be used.  
COATING: Nickel 6 microns.

INDEX OF ITEM

Part NO.  
116

SNO	SHT	DOC NO	SIGN	DATE
	DRAWN	P.R.BABU.		16.5.84
	EDT,CHKD	D.K.JAIN	<i>[Signature]</i>	17.5.84
	F/M,DC.	S.H.RAO	<i>[Signature]</i>	21.6
	DIV.OFFR	D.A. SHANU	<i>[Signature]</i>	21.6
	NAME	SIGN	DATE	

PROTECTIVE WASHER.

SHEET	WEIGHT	SCALE
	0.2	1:1
TOTAL SHEETS		
ORDNANCE FACTORY PROJECT HYDERABAD		