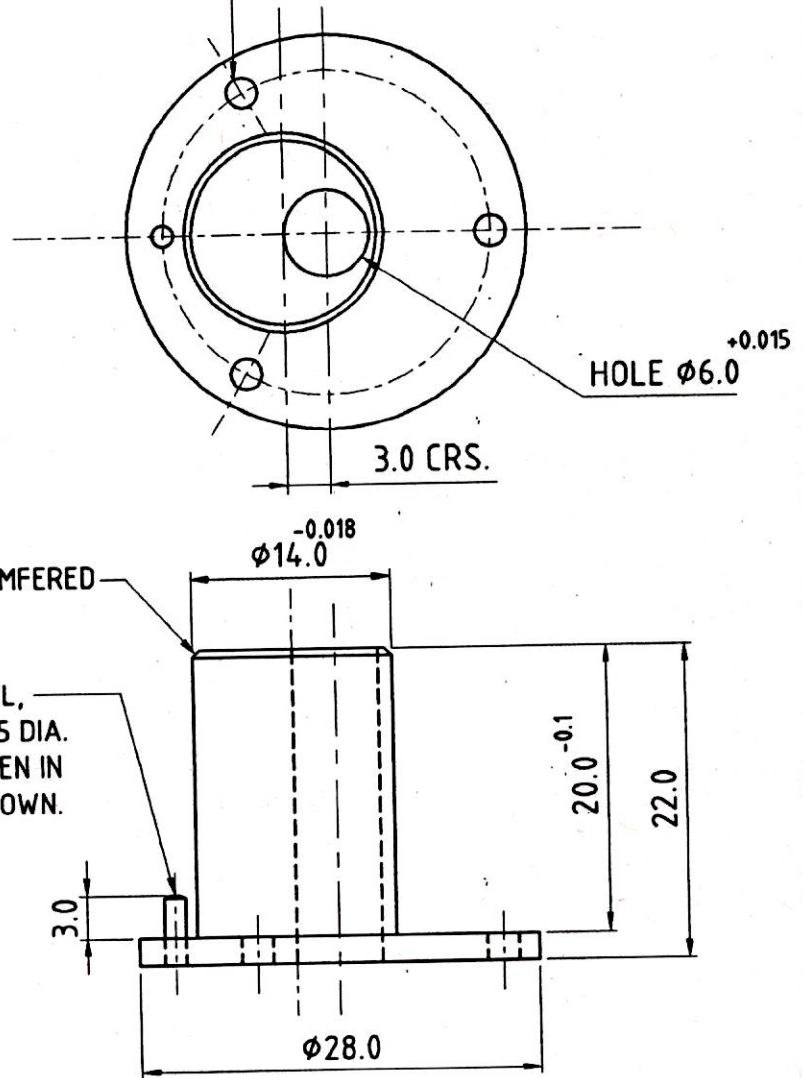


MOUNT TELESCOPE 102A BUSHING, SLEEVE ECCENTRIC

REFERENCE DRG. NO.-
OLD- IRDE-1006/8
NEW- CQA(I)- 796/8

MCT-2904

3-HOLES, $\phi 2.2$ EQUALLY SPACED
ON 23.0 P.C.D. AS SHOWN.



SLIGHTLY CHAMFERED
AT 45°

PIN STAINLESS STEEL,
(B.S.-970/En 58 E) 1.5 DIA.
× 5.0 LG. TO BE DRIVEN IN
ON 23.0 P.C.D. AS SHOWN.

MATL. :- PHOSPHOR BRONZE IS:1385.
FINISH :- CLEANED.

FOR TRADE ONLY
Date of Issue 03.12.18
[Signature]

ALL DIMENSIONS ARE MM.
IMPORTANT DIMENSIONS MARKED THUS ●
INFORMATION MARKED THUS † TO BE MARKED ON.

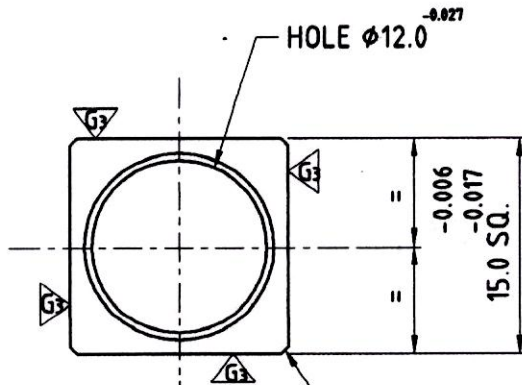
	DR.- R.K.SHARMA	DT.- 6.5.2010	SCALE- 2:1
	TR.-	MATL. AS ABOVE	TREAT. AS ABOVE
	CH.- <i>[Signature]</i>	SHTS.- 1	SHT. NO.- 1
	<u>APPROVED</u>	DRAWING No.- <u>MCT-2904</u>	
AMENDMENTS.	<i>[Signature]</i>		
OFD/DO/002	JWM/DO. <i>[Signature]</i> 21/08/10 WM/Pz.		

ORDNANCE FACTORY, DEHRADUN.

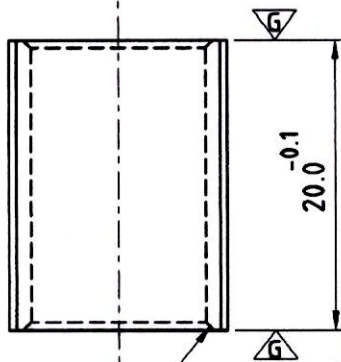
MOUNT TELESCOPE 102A BLOCK

REFERENCE DRG. NO.-
OLD- IRDE-1006/6
NEW- CQA(II)- 796/6.

MCT-3091



0.5 CHAMFERED AT 45° ON ALL CORNERS



SLIGHTLY C'SK. AT 90° ON BOTH ENDS.

FOR TRADE ONLY

Date of Issue 24.11.16

[Signature]

MATL. :- PHOSPHOR BRONZE, IS:1385-PBz.3

FINISH :- MACHINED.

ALL DIMENSIONS ARE MM.
IMPORTANT DIMENSIONS MARKED THUS ●
INFORMATION MARKED THUS † TO BE MARKED ON.

		DT.-03.01.2011	SCALE- 2:1
	DR.- R.K.SHARMA	<u>MATL.</u>	<u>TREAT.</u>
	TR.-	AS ABOVE	AS ABOVE
	CH.- <i>[Signature]</i>	SHTS.- 1	SHT. NO.- 1
	<u>APPROVED.</u>	DRAWING No.- <u>MCT-3091</u>	
AMENDMENTS.	<i>[Signature]</i>		
OFD/DO/002	JWM/DO. <i>[Signature]</i> WM/P1.		

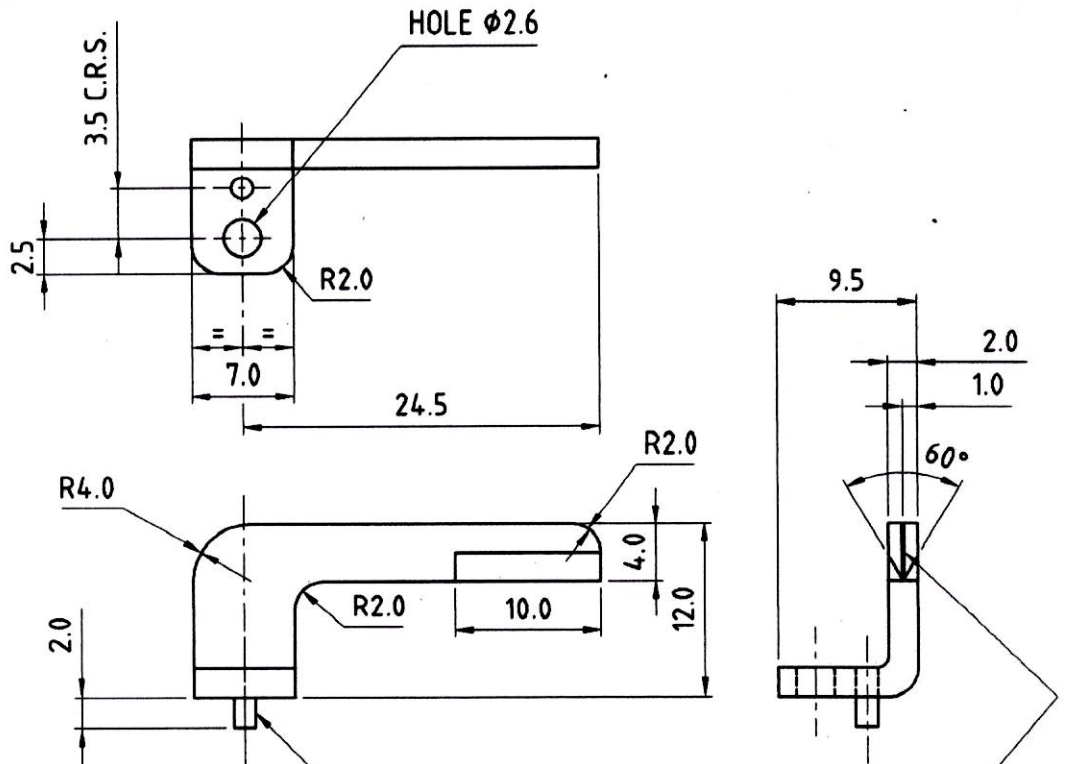
ORDNANCE FACTORY, DEHRADUN.

MOUNT TELESCOPE 102A POINTER, DIAL, LEFT

DRG. No. :-

IRDE-421/23

MCT-3099



PIN, STAINLESS STEEL
(IS:1570/04 Cr19 Ni9) 1.5. DIA.
× 4.0 LG. TO BE SILVER SOLDERED
AFTER DRIVEN IN POSITION AS SHOWN.

INDEX LINE TO BE ENGRAVED
0.2 THICK × 0.2 DEEP & TO BE
FILLED IN WITH WHITE.

FOR TRADE ONLY
Date of Issue 24/11/16

MATL. :- STEEL, BS:1449/PT.3B-1964 En 5/CS-30.

FINISH :- TO BE PAINTED WITH LATEST APPROVED SERVICE COLOUR.

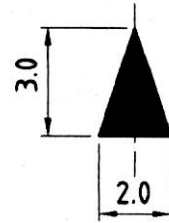
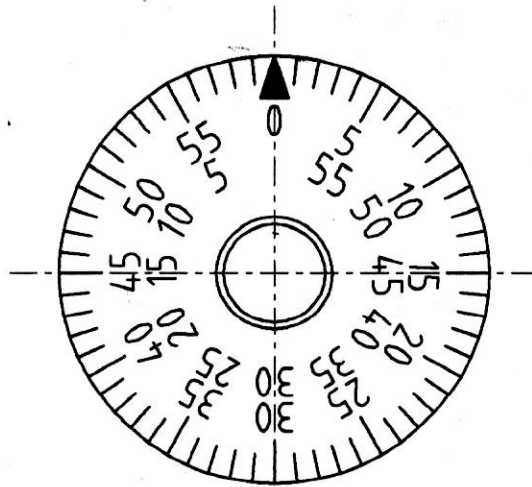
ALL DIMENSIONS ARE MM.
IMPORTANT DIMENSIONS MARKED THUS ●
INFORMATION MARKED THUS † TO BE MARKED ON.

		DT.-06.01.2011	SCALE- 2:1
		<u>MATL.</u>	<u>TREAT.</u>
		AS ABOVE	AS ABOVE
		SHTS.- 1	SHT. NO.- 1
		DRAWING No. -	
		MCT-3099	
AMENDMENTS.	APPROVED.		
OFD/DO/002	JWM/DO.		

ORDNANCE FACTORY, DEHRADUN.

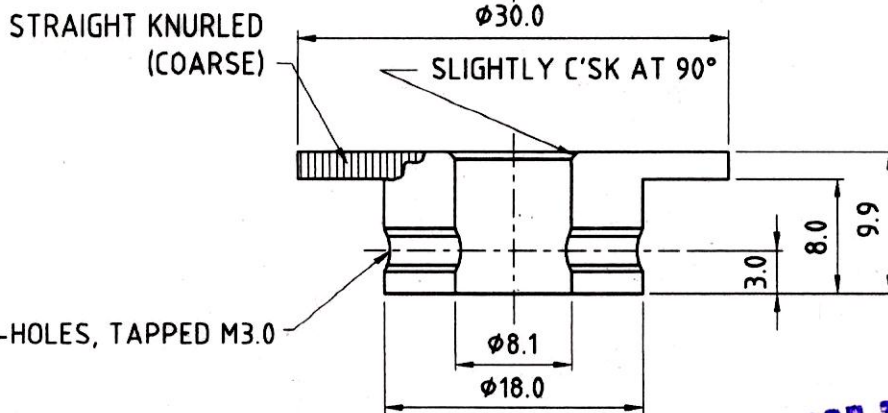
MOUNT TELESCOPE 102A DIAL, SCALE, II

REFERENCE DRG. NO.-
OLD- IRDE-1006/13
NEW- CQA(I)- 796/13



ENLARGED VIEW SHOWING
DIMENSION OF ARROW HEAD.
SCALE :- 5/1

MCT-3109



FOR TRADE ONLY
Date of Issue: 6-12-16

NOTE :-

1. GRADUATIONS TO BE ENGRAVED AS FOLLOWS :-
LARGE GRADUATIONS 3.0 HIGH x 0.2 DEEP.
SMALL GRADUATIONS 2.0 HIGH x 0.2 DEEP.
2. CLOCK-WISE & ANTICLOCK-WISE FIGURES 2.0 HIGH x 0.2 THICK x 0.2 DEEP TO BE ENGRAVED AS SHOWN.
3. ALL GRADUATIONS & CLOCK-WISE FIGURES TO BE FILLED IN WITH WHITE WHERE AS ANTI-CLOCKWISE FIGURES TO BE FILLED IN WITH RED.
4. GAPS BETWEEN GRADUATIONS & FIGURES TO BE 0.5.

MATL. :- STEEL, IS:1570/C-30.

FINISH :- NICKEL PLATED, BLACK.

ALL DIMENSIONS ARE MM.

IMPORTANT DIMENSIONS MARKED THUS ●

INFORMATION MARKED THUS † TO BE MARKED ON.

		DT.-03.01.2011	SCALE- 2:1
		MATL.	TREAT.
		DR.- R.K.SHARMA	AS ABOVE
		TR.-	AS ABOVE
		CH.- <i>dr</i>	SHTS.- 1
			SHT. NO.- 1
		APPROVED.	DRAWING No.- MCT-3109
AMENDMENTS.		JWM/DO.	
OFD/DO/002			

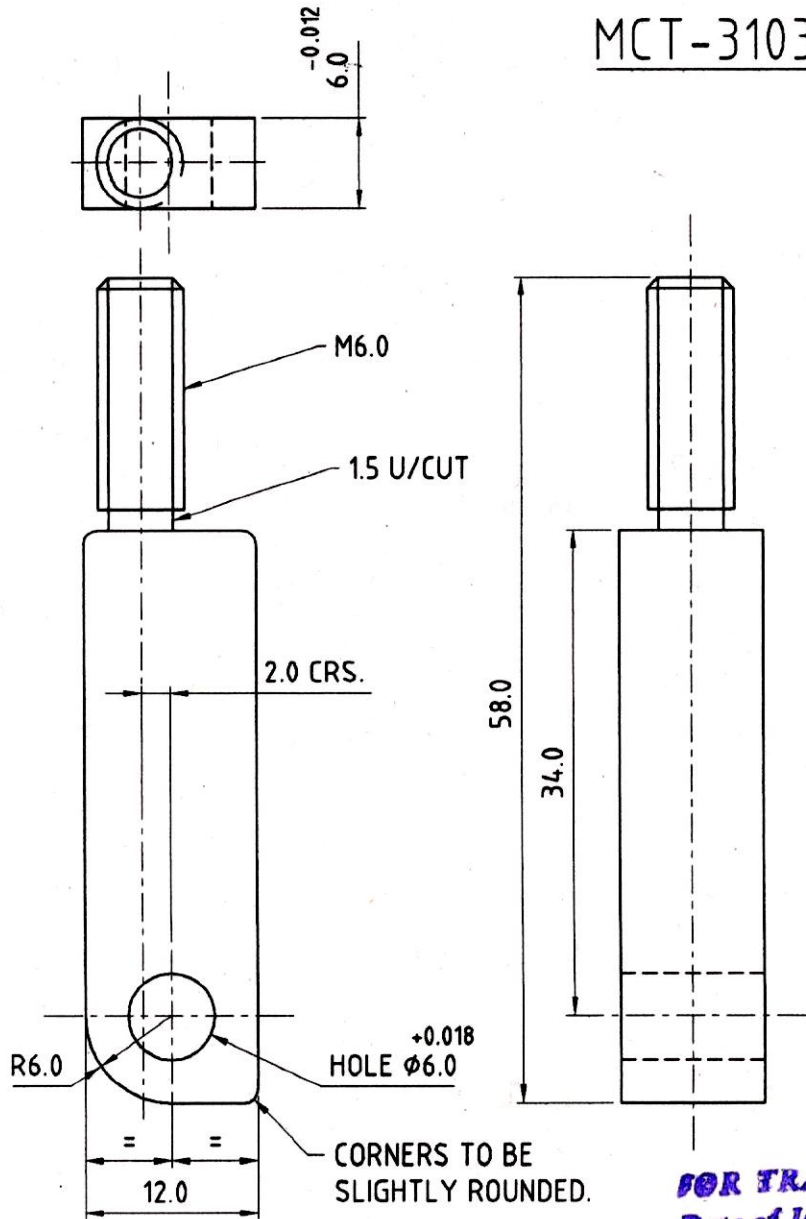
ORDNANCE FACTORY, DEHRADUN.

MOUNT TELESCOPE 102A BOLT, LATCH

DRG. No. :-

IRDE-421/2

MCT-3103



FOR TRADE ONLY
Date of Issue: 03/01/2011

MATL. :- STEEL, (FLATS) SPECN. IS:226.

FINISH :- PHOSPHATISED & PAINTED WITH APPROVED SERVICE COLOUR EXCEPT BEARING SURFACES.

ALL DIMENSIONS ARE MM.

IMPORTANT DIMENSIONS MARKED THUS ●

INFORMATION MARKED THUS † TO BE MARKED ON.

	DR.- R.K.SHARMA	DT.-03.01.2011	SCALE- 2:1
	TR.-	MATL. AS ABOVE	TREAT. AS ABOVE
	CH.- <i>AK</i>	SHTS.- 1	SHT. NO.- 1
AMENDMENTS.	APPROVED.	DRAWING No.- MCT-3103	
OFD/DO/002	<i>AK</i> JWM/DO.		
	<i>AK</i> WM/P1.		

ORDNANCE FACTORY, DEHRADUN.

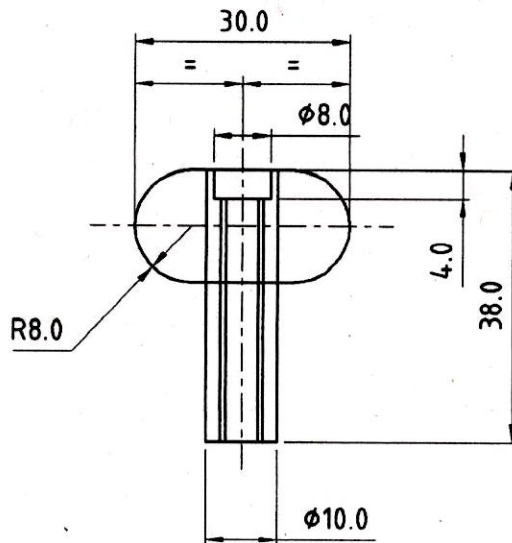
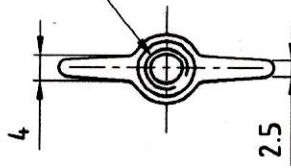
MOUNT TELESCOPE 102A NUT, SLEEVE

DRG. P

IRDE-421/8

MCT-3108

HOLE, TAPPED M6.0



FOR TRADE O/M
Date of Issue 6/12/06
al

MATL :- STEEL, (FLATS) SPECN. IS:226.

FINISH :- PHOSPHATISED & PAINTED WITH LATEST APPROVED SERVICE COLOUR EXCEPT BEARING SURFACES.

ALL DIMENSIONS ARE MM.

IMPORTANT DIMENSIONS MARKED THUS ●

INFORMATION MARKED THUS † TO BE MARKED ON.

	DR.- R.K.SHARMA	DT.-03.01.2011	SCALE- 2:1
	TR.-	MATL. AS ABOVE	TREAT. AS ABOVE
	CH. <i>al</i>	SHTS.- 1	SHT. NO.- 1
	APPROVED.	DRAWING No.- <u>MCT-3108</u>	
AMENDMENTS.	<i>al</i>		
OFD/DO/002	JWM/DO. <i>al</i> WM/P1.		

ORDNANCE FACTORY, DEHRADUN.