

100500-9005

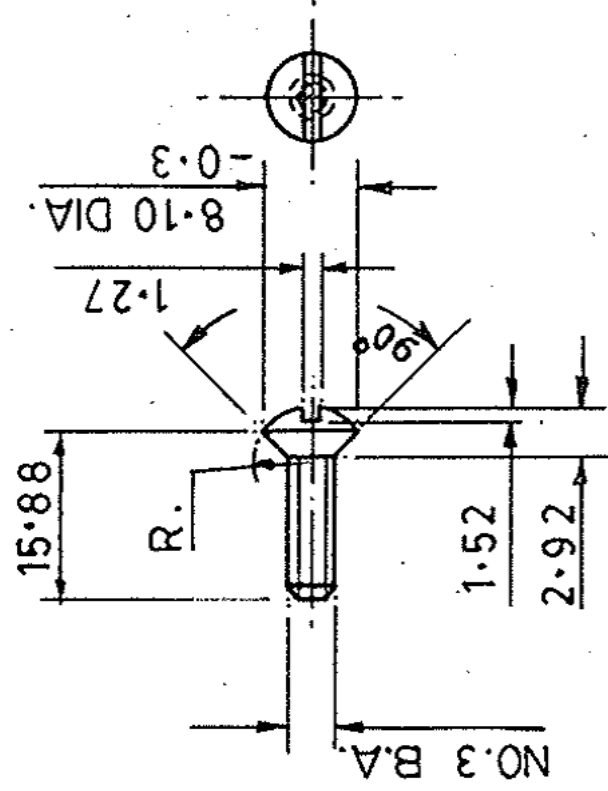
NO. 5305-005001

D.S. D

DIMNS. ARE IN mm.

FOR EXPLANATION OF DETAILS WHEREVER NOT SPECIFIED REFER D.D. NOTE SHEET NO.3 (LATEST ISSUE).

STD. FROM TRADE MAY ALTERNATIVELY BE USED.



NOTE :-

WHERE TOLERANCES ARE NOT SHOWN DIMENSIONS IN WHOLE NUMBER ± 1.27 mm. DIMENSIONS WITH ONE DECIMAL PLACE ± 0.4 mm.

DIMENSIONS WITH TWO DECIMAL PLACE ± 0.13 mm.

FOR SPECN. LATEST ISSUE SHOULD BE FOLLOWED.

METRIC

ICR 1377

05-11-98	24200-SA	PROFORMA CHANGED, NEG. RE-TRACED AND DRG. RE-SEALED	Amla	Rev DAC
		PREVIOUS DC.NOS. 11237-SA, 11270-SA, 115564-SA, 16298-SA, 19633-SA, 22650-SA AND 22739-SA		COPY
DATE	AUTHY.	BRIEF RECORD	ZONE	I/C;D.O. G.O.
SEALED :-	D.C.NO. 11237-SA, DT.17.4.72			SIGN.
DRN.	CHD.	TRD. <i>S. S. S.</i> COMP. <i>M. Banerji</i>		
SCALE :- 1:1		EST. MASS		
DT. 05.11.98	<i>Amla</i>	APPROVED DT. 19.6.67		
	I/C;D.O.	NEG, RE-TRACED		
MATERIAL :- STEEL BS:970 PT.1, SEC.2 Gr.070 M20				
H.T/HARDNESS :-				
PROTECTIVE PHOSPHATE TO SPECN. JSS:0465-01:				
FINISH :- 1988 CLASS-I, OIL FINISH.				
NOMENCLATURE :- SCREW, PISTOL GRIP COVER				
DGNR'S REF. ARDE 657/272				
PART NO.				
DRG.NO.				
D.S. CAT. 5305-005001				