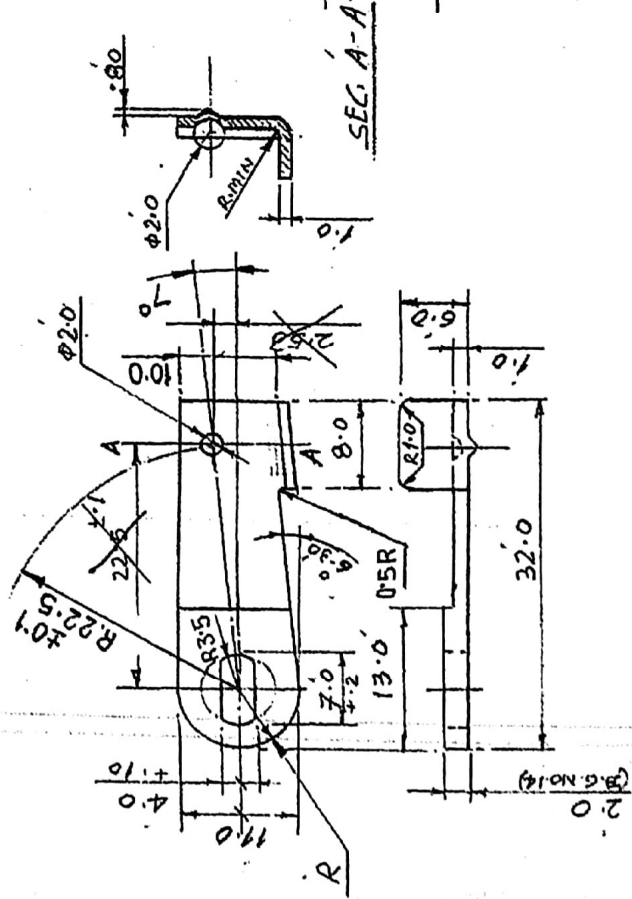


DRG NO.

D.A. NO.

02/01



MATL:- B.S. 1449.P.T.C.S-3-

FINISH:- ON ASSY.

DIMENSIONS ARE IN M.M.  
IMPT. DIMNS. ARE MARKED THUS-Ø  
INFORMATION MKD. THUS-F TO BE MKD. ON  
SURFACES MKD. G TO BE GRD.

GOR/RFI

13/11/13

13/11/13

STANDARD CELL

DIMNS. R22.5<sup>+0.1</sup> & 2.5 DELETED  
DIMNS. R22.5<sup>+0.1</sup> & 2.5 ADDED

DESCRIPTION

DA NO. 02/01

DATE 28/01/2013

DRAWN	TRACED	CHKD.
<i>Shp</i>		<i>Shp</i>
DATE	31.12.2013	
APPROVED		
<i>[Signature]</i>		
J.W.M / D.O.		
DRG. NO.		OF 1
AR/014/1		
SHEET 1		

RIFLE 7.62 mm L.P.  
LEVER

SCALE

2:1



SMALL ARMS FACTORY,  
KANPUR.

REF. DRG. NO. RFI/034

HOS/MPM  
CERTIFIED COPY OF  
DRAWING FOR FIGURE  
SCHEDULE  
DATE 12-03-18  
Minister  
FACTORY SHAPORE