

799100-5001

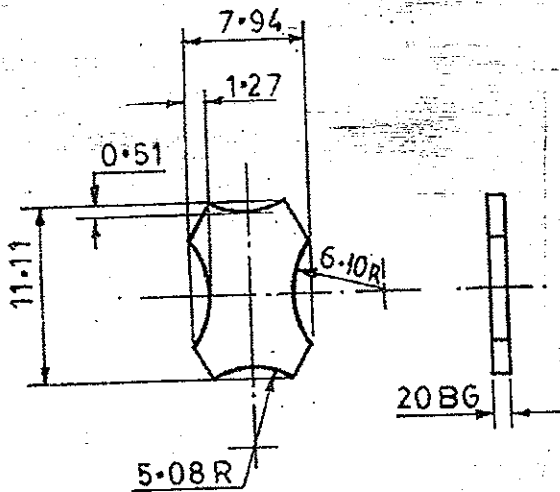
10N
D.S. CAT.

FOR EXPLANATION SEE D.D. NOTE SHEET NO. 3

DIMNS. ARE IN mm

NOTE

WHERE TOLERANCES ARE NOT SHOWN
 DIMENSIONS IN WHOLE NUMBER $\pm 127^{mm}$
 DIMENSIONS WITH ONE DECIMAL
 PLACE ± 0.4 mm.
 DIMENSIONS WITH TWO DECIMAL
 PLACES ± 0.13 mm.



CERTIFIED CORRECT COPY
 OF APPROVED DRAWING
 AT THIS DATE

117
[Signature]

Design & Drawing Office
 Ordnance Factory,
 Aruchirappalli-620016.

IN CONTROLLED COPY

METRIC

ICR 1224

01-10-99	24540-SA	PROFORMA CHANGED, PROTECTIVE FINISH AMENDED, NEG. RE-TRACED & DRG. RE-SEALED			<i>Anula</i>	<i>M. S.</i> DAC
		PREVIOUS D.C. NOS. 11237-SA, 11270-SA & 17697-SA.				COPY
DATE	AUTHY.	BRIEF RECORD	Z ONE	I/C; D.O	G.O	SIGN.
SEALED:- D.C. NO. 11237-SA, DT. 17-4-72						
DRN.	CHD.	TRD. <i>SK. G. S.</i>	COMP. <i>H. B. S.</i>	AHSP CQA(SA) ICHAPUR		
SCALE:- NOT TO SCALE		EST. MASS		ASSY. 1005-001594, 1005-001595, 1005-001596, 1005-004057, 1005-004025, 1005-004059		
DT. 01-10-99	<i>Anula</i> I/C; D.O.	APPROVED	DT. 19.6.67.	NEG. RE-TRACED		
MATERIAL:- STEEL BS:1449 PT.1:1972 CR 4 SEC. 2						
H.T/HARDNESS:-				DGNR'S REF. ARDE 657/149		
PROTECTIVE FINISH:- PHOSPHATE TO SPECN JSS:0465-01:1988 CLASS 1 SPIRIT STAIN BLACK OIL FINISH.				PART NO.		
NOMENCLATURE:- PLATE BRACKET SLING				DRG. NO.		
				D.S. CAT. NO. 1005-001664		