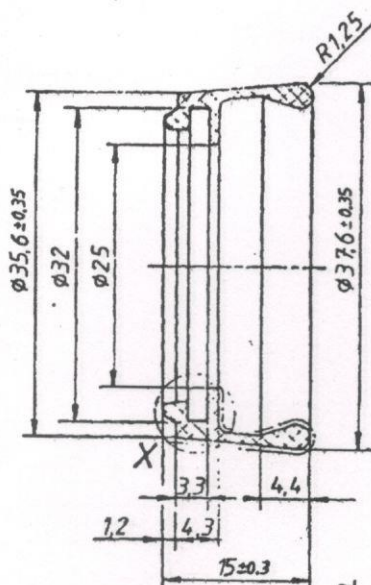


ORDNANCE FACTORY, DEHRADUN

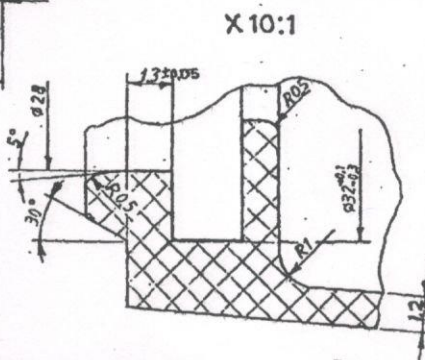
BINOCULAR 8x30 R EYE GUARD OPTICAL INSTRUMENT

DRG. NO
COA(II) 789/1

FIRST ANGLE PROJECTION



FOR TRADE ONLY
Date of Issue 21.02.18



----- VISIBLE SURFACE

COLOUR: RAL 6014

MATL:- SILICON SHORE A 60+5

TEMPERATURE COMPATIBILITY OF THE COMPONENTS. ($80^{\circ} \pm 3^{\circ}$ & $-40 \pm 3^{\circ}$)

		DT.-12-06-2010	SCALE - NTS
	MADE BY: P.C.SINGH	MATL.	TREAT.
	TR-	AS ABOVE	AS ABOVE
	CH- <i>dr</i>	SHEETS. 1	SHT. NO. 1.
DA-01/15 dt-02/01/15	APPROVED	DRAWING NO.	
AMENDMENTS	<i>dr</i> JWM/D.O.	MCT-2920/1	
OFD/DO/002			

Subir
SVM/P.