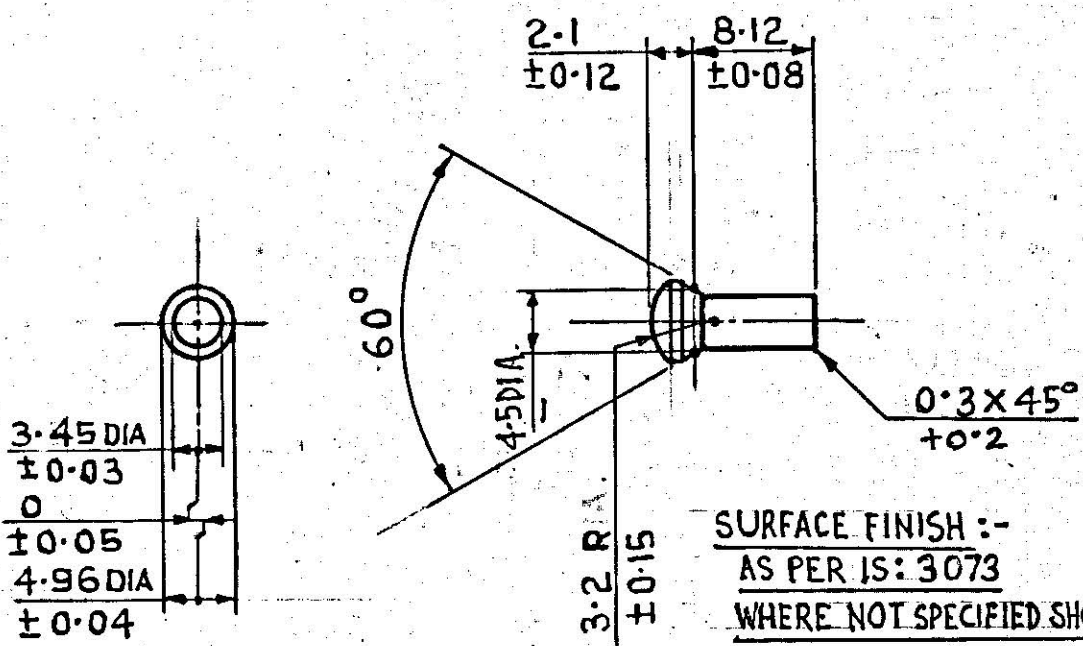


1 2 3 4 5 6 7 8 9 10 11 12 13 14 15 16 17 18

A
B
C
D
E
F
G
H
I
J
K
L
M
N
O
P
Q
R
S



DC No. 27016-SA, DT. 19-01-2017 - MATERIAL AMENDED

23388/10-7-L/12 -SA 96	MATL. SURFACE FINISH & DIMENSION AMENDED.	DS. CAT. NO. ADDED	BRIEF RECORD	SIG.
A-22383-29.194 SA				

MATERIAL:- IS: 1148-2009 MEDIUM TENSILE.

HEAT TREATMENT:- ANNEALED PRIOR TO RIVETING.

22334-22.11.93	DS. CAT. NO. ADDED ON ASSY. COLUMN	<i>LT. Col</i>
22122-SA 20.1.93	MATL. AMENDED	<i>MAJ.</i>
19677-SA 8.7.87	YEAR OF MATERIAL SPECN. AMENDED	<i>LT. Col</i>
18356-SA 19.4.85	DRG. SEALED PROVISIONALLY	<i>SSO</i>
AUTHY.	DATE	ZONE
	BRIEF RECORD	SIG.

DS. CAT. No. 5320-002938

DGN.	DATE	NAME	ASSY. 1005-007718	CI(SA) ICHAPUR.
DRN.			MATL. AS. STATED	
CHD.			DIMENSIONS ARE IN MILLIMETRES	
TRD.		<i>Bas.</i>		APPROVED
COMP.		<i>As per</i>		<i>SSO</i>
<i>1/4 D.O.</i> SCALE:- 2:1			RIVET, COCKING HANDLE GUIDE	DT. 18.2.85. FOR CI(SA)
SEALED:- PROV. DC(1) 18356-SA DT. 19.4.85				PART NO. 025TT